

M2 SERIES P6CG-XXXXZS 1KV ISOLATED 0,6 – 1 W REGULATED DUAL SPLIT OUTPUT SIP7

Available Inputs:

5, 12 and 24 VDC

Available Outputs:

3.0, 3.3, 4.85 and 5 VDC

Other specifications please enquire.

Electrical Specifications

(Typical at + 25° C, nominal input voltage, rated output current unless otherwise specified)

Input Specifications

Voltage range +/- 10 %
Filter Capacitors

Isolation Specifications

Rated voltage 1000 VDC
Leakage current 1 mA
Resistance 10⁹ Ohm
Capacitance 80 pF typ.

Output Specifications

Voltage accuracy +/- 1 %, max.
Ripple and noise (at 20 MHz BW) 50 mV p-p, max.
Short circuit protection Momentary
Line voltage regulation +/- 0,4 %
Load voltage regulation +/- 0,3 %
Temperature coefficient +/- 0,02 % / °C

General Specifications

Efficiency 60 % to 75 %
Switching frequency 45 KHz, typ.

Environmental Specifications

Operating temperature (ambient) - 40° C to + 85° C
Storage temperature - 55° C to + 125° C
Derating See graph
Humidity Up to 90 %, non condensing
Cooling Free air convection

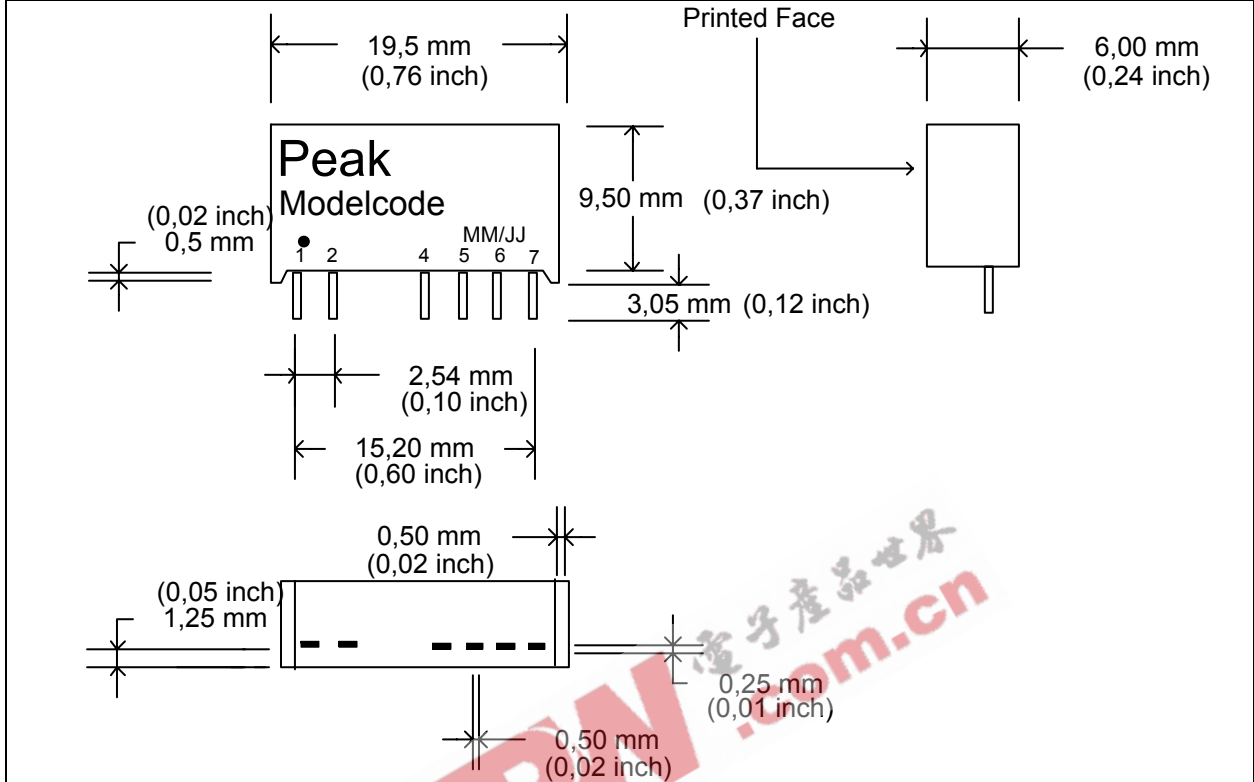
Physical Characteristics

Dimensions SIP 19,50 x 6,00 x 9,50 mm
0,76 x 0,24 x 0,37 inches
Weight 2,5 g
Case material Non conductive black plastic

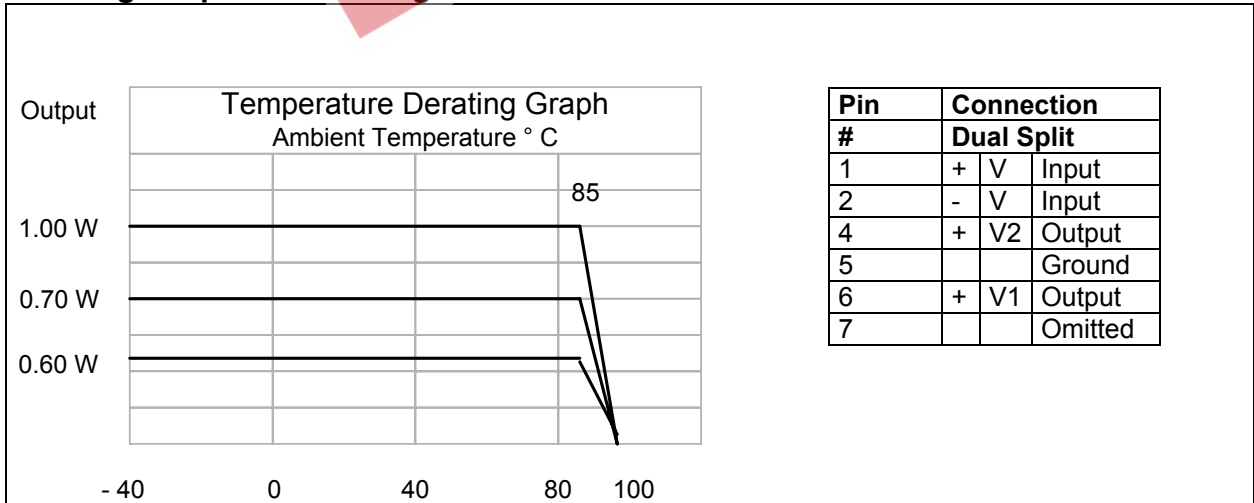
Examples of Partnumbers/Modelcode

PART NO.	INPUT VOLTAGE (VDC)	INPUT CURRENT NO LOAD	INPUT CURRENT FULL LOAD	OUTPUT VOLTAGE (VDC)	OUTPUT CURRENT (max. mA)	EFFICIENCY FULL LOAD (% TYP.)
P6CG0503ZS	5	20	196	3/3	100/100	61
P6CG053R3ZS	5	21	212	3,3/3,3	100/100	62
P6CG054R8ZS	5	21	300	4,85/4,85	100/100	64
P6CG0505ZS	5	22	313	5/5	100/100	64
P6CG1203ZS	12	18	81	3/3	100/100	62
P6CG123R3ZS	12	18	88	3,3/3,3	100/100	62
P6CG124R8ZS	12	16	123	4,85/4,85	100/100	65
P6CG1205ZS	12	15	128	5/5	100/100	65
P6CG2403ZS	24	16	40	3/3	100/100	62
P6CG243R3ZS	24	16	44	3,3/3,3	100/100	62
P6CG244R8ZS	24	15	62	4,85/4,85	100/100	65
P6CG2405ZS	24	14	64	5/5	100/100	65

Dimensions



Derating Graph and Pinning



Specification can be changed without notice.

Copyright PEAK electronics GmbH