



KBP301G THRU KBP307G

Single Phase 3.0 AMPS. Glass Passivated Bridge Rectifiers

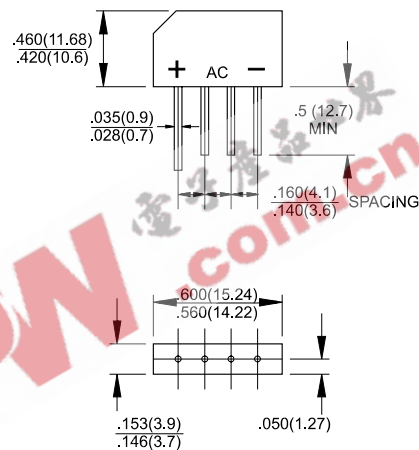


Voltage Range
50 to 1000 Volts
Current
3.0 Amperes

Features

- ✧ UL Recognized File # E-96005
- ✧ Ideal for printed circuit board
- ✧ Reliable low cost construction technique results in inexpensive product
- ✧ High temperature soldering guaranteed: 250°C / 10 seconds at 5 lbs. (2.3 Kg) tension
- ✧ Small size, simple installation
Leads solderable per MIL-STD-202, Method 208

KBP



Dimensions in inches and (millimeters)

Maximum Ratings and Electrical Characteristics

Rating at 25°C ambient temperature unless otherwise specified.
Single phase, half wave, 60 Hz, resistive or inductive load.
For capacitive load, derate current by 20%

Type Number	KBP 301G	KBP 302G	KBP 303G	KBP 304G	KBP 305G	KBP 306G	KBP 307G	Units
Maximum Recurrent Peak Reverse Voltage	50	100	200	400	600	800	1000	V
Maximum RMS Voltage	35	70	140	280	420	560	700	V
Maximum DC Blocking Voltage	50	100	200	400	600	800	1000	V
Maximum Average Forward Rectified Current @ T _A = 50°C	3.0							A
Peak Forward Surge Current, 8.3 ms Single Half Sine-wave Superimposed on Rated Load (JEDEC method)	80							A
Maximum Instantaneous Forward Voltage @ 3.14A	1.1							V
Maximum DC Reverse Current @ T _A =25°C at Rated DC Blocking Voltage @ T _A =125°C	10 500							uA uA
Typical Thermal Resistance (Note 1) R _{θJA} R _{θJL}	30.0 11							°C/w
Operating Temperature Range T _J	-55 to +150							°C
Storage Temperature Range T _{STG}	-55 to +150							°C

Note 1. Thermal Resistance from Junction to Ambient and from Junction to Lead Mounted on PCB
With 0.47 x 0.47" (12 x 12mm) Copper Pads.



RATINGS AND CHARACTERISTIC CURVES (KBP301G THRU KBP307G)

FIG.1- MAXIMUM NON-REPETITIVE FORWARD SURGE CURRENT PER BRIDGE ELEMENT

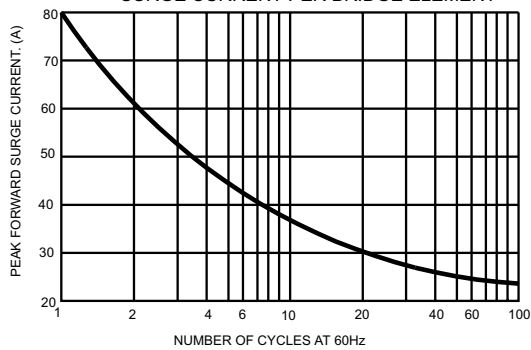


FIG.2- MAXIMUM FORWARD CURRENT DERATING CURVE

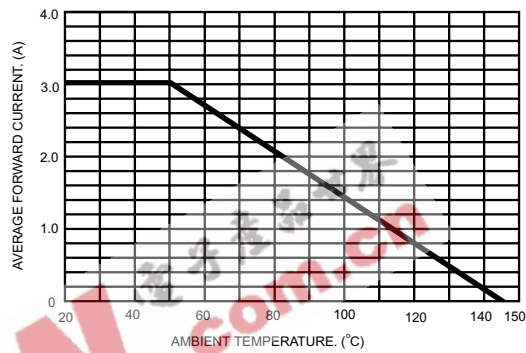


FIG.3- TYPICAL INSTANTANEOUS FORWARD CHARACTERISTICS PER BRIDGE ELEMENT

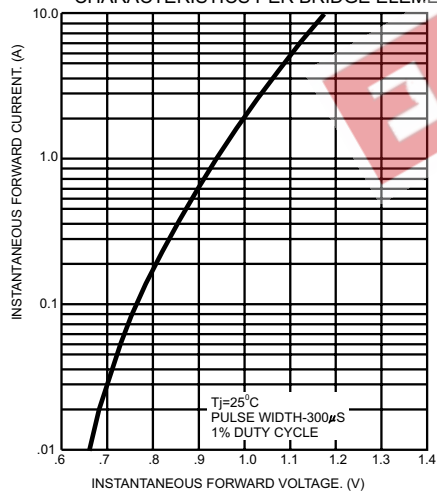


FIG.4- TYPICAL REVERSE CHARACTERISTICS PER BRIDGE ELEMENT

