

Features

- Integrated digital contacting encoder
- Mounts directly to the back side of a PCB with metal bushing
- Can be integrated into any circuit
- Detented versions available
- Long operating life

BOURNS®

01943-3 Series Rear Mount Module

Bourns 01943-3 Series Rear Mount Module is designed for integration into any Printed Circuit Board and completes the value-added solution for Integrated Panel Control applications. Competitive features result in cost savings, reduced inventory, and improved reliability. Fits within envelope of existing discrete units - change from discrete to integrated version is transparent to customers and no change to existing sheet metal is required.

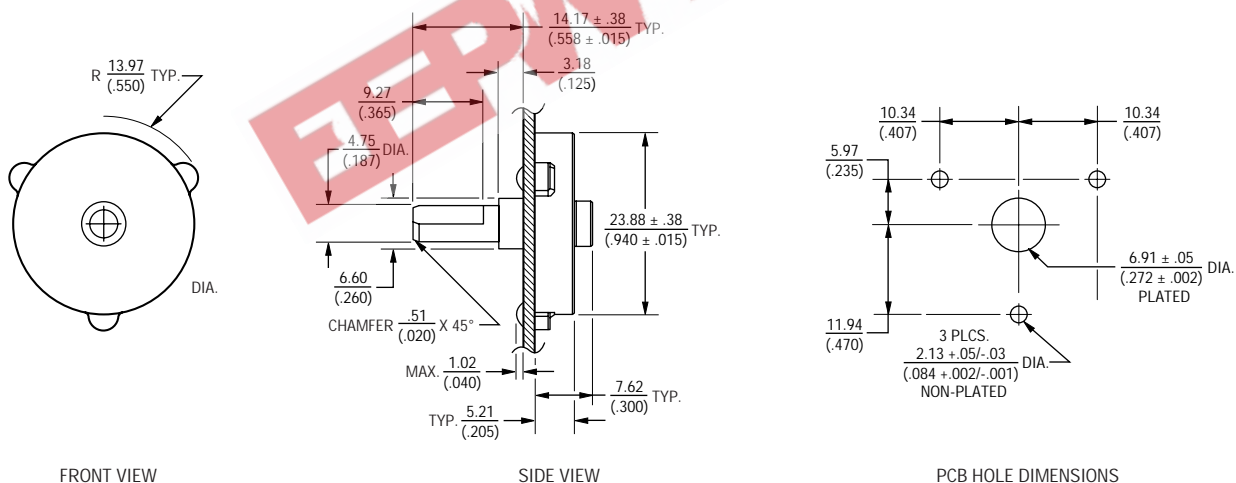
Electrical Characteristics

Closed Circuit Resistance	5 ohms maximum
Open Circuit Resistance	100 K ohms minimum
Contact Rating	10 milliamps @ 10 VDC
Electrical Travel	Continuous

Environmental Characteristics

Operating Temperature Range	-40 °C to +125 °C
Storage Temperature Range	-40 °C to +140 °C
Life	200 K revolutions
Vibration	15 G
Humidity	Per MIL-STD-202, Method 103B, Condition B

Product Dimensions

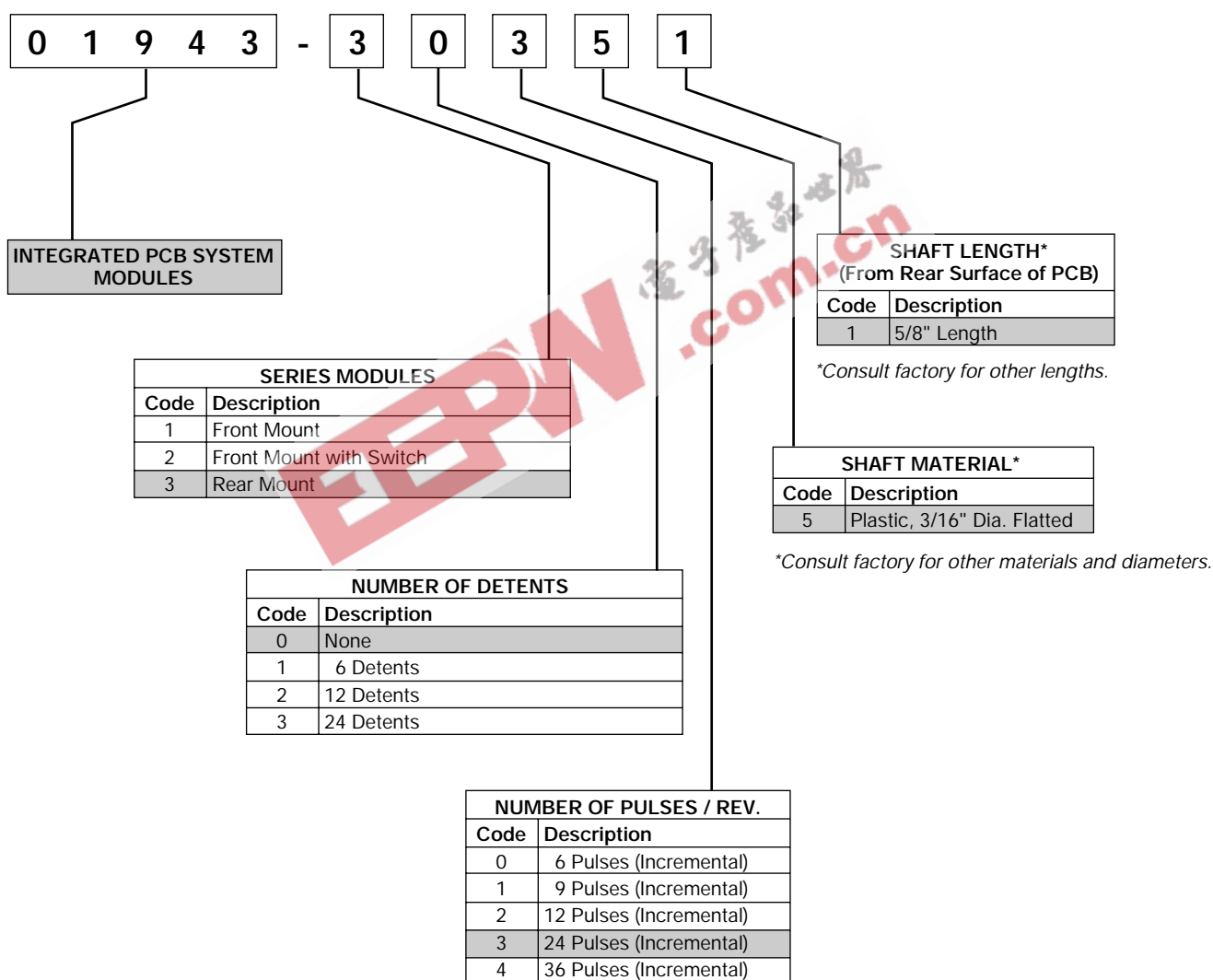


DIMENSIONS: $\frac{MM}{(IN.)}$

01943 Series Rear Mount Module



How To Order



NOTE: This chart illustrates the numbering system for the module level only. Each Integrated PCB system will require several modules in addition to the PCB and electronic components that are unique to each application.