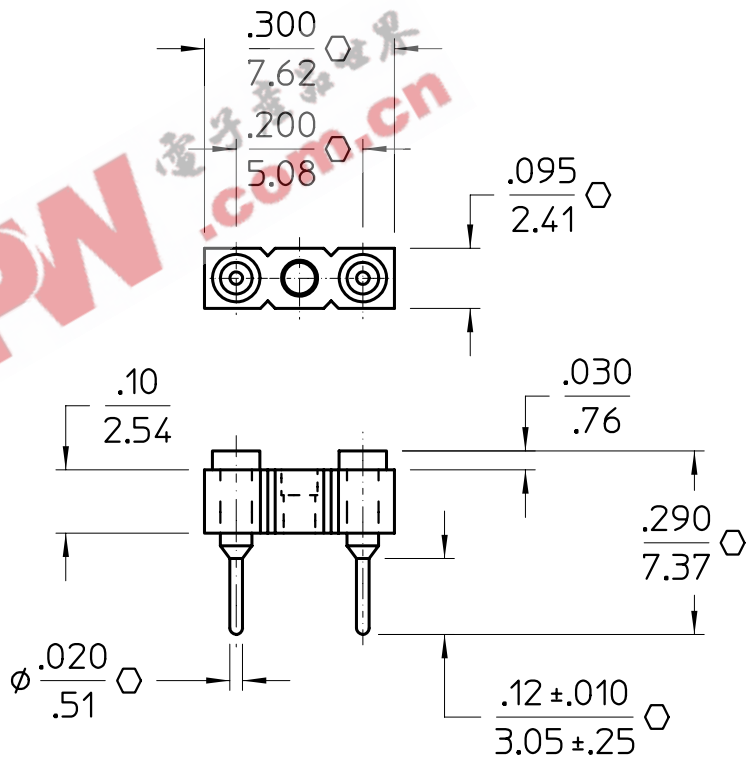


VICOR CONFIDENTIAL THIS DOCUMENT AND THE DATA DISCLOSED HEREIN OR HEREWITH IS NOT TO BE REPRODUCED, USED, OR DISCLOSED IN WHOLE OR IN PART TO ANYONE WITHOUT PERMISSION OF VICOR CORP.	REV.	DESCRIPTION	DATE	AP
	02	DRN PER E990513	AK 11/19/99	R



NOTES:

- MATERIAL: PIN: BRASS ALLOY TYPE 360, PER QQ-B626, 1/2 HARD  
CONTACT: BERYLLIUM COPPER  
INSULATOR: THERMOPLASTIC POLYESTER(BLACK) RATED 94V0
- FINISH: SHELL: 100μINCH TIN PER MIL-T-10727, OVER  
100μINCH NICKEL PER QQ-N-290.  
CONTACT: 10μINCH GOLD PER MIL-C-45204 OVER 50μINCH  
NICKEL PER QQ-N-290.
- 'O' DENOTES CRITICAL CHARACTERISTIC FOR LOT INSPECTION.

DRAWN BY	DATE	THIRD ANGLE PROJECTION	<b>SOCKET, FUSE, PCB 5A, 125VAC</b>
A. KUMAR	11/19/99		
UNLESS OTHERWISE SPECIFIED DIMENSIONS ARE IN IN/MM- TOLERANCES ARE:		SIZE	FSCM NO.
DECIMALS	ANGLES	A	67131
.XX= *.01/.25	± 1°	DWG NO	
.XXX=*.005/.13		<b>03144</b>	
		DO NOT SCALE DRAWING	SCALE 4:1
		SHEET 1 OF	