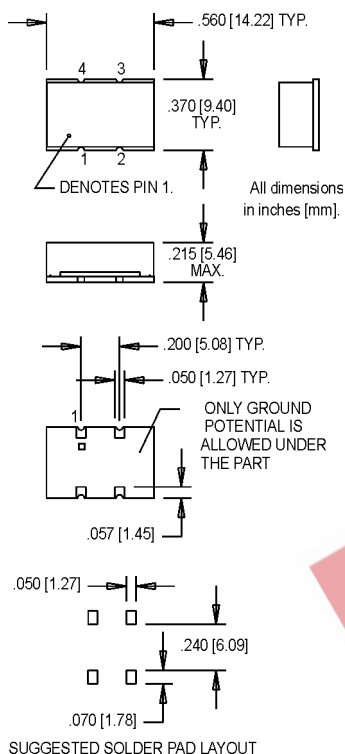
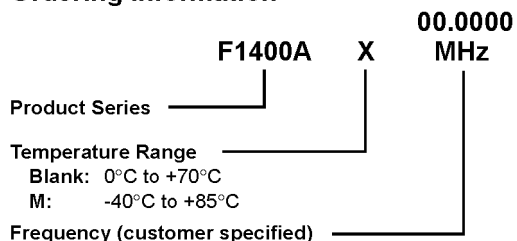


F1400A Series 9x14 mm FR-4, 5.0 Volt, Sinewave, Clock Oscillator



• Former **Champion** TECHNOLOGIES, INC. Product

Ordering Information



Pin Connections

PIN	FUNCTION
1	N/C
2	Ground & Case Ground
3	Output
4	+Vdd

	PARAMETER	Symbol	Min.	Typ.	Max.	Units	Condition	
Electrical Specifications	Frequency Range	F	70		210	MHz		
	Frequency Stability	$\Delta F/F$						
	Overall		Inclusive of calibration, temperature, voltage, load, and aging					
	-10°C to +70°C				±25	ppm		
	-40°C to +85°C				±35			
	Operating Temperature	T _A	-40		+85	°C		
	Storage Temperature	T _s	-40		+85	°C		
	Input Voltage	V _{dd}	4.75	5.0	5.25	V		
	Input Current	I _{dd}			40	mA		
	Output Signal		Sinewave					
	Load				50	Ω		
	Output Power		0	3	6	dBm		
	Harmonics				-20	dBc		
	Sub-Harmonics & Spurious Modes				-70	dBc		
	Start up Time				10	ms		
Environmental	Phase Noise (Typical) @ 155.520 Mhz	10 Hz -65	100 Hz -95	1 kHz -125	10 kHz -145	100 kHz -150	dBc/Hz	
	Temperature Cycle	MIL-STD-883, Method 1010, Condition B				-55°C to +125°C; Air-to-Air; 100 cycles; 10 min. dwell		
	Mechanical Shock	MIL-STD-883, Method 2002, Condition B				1500 g's		
	Vibration	MIL-STD-883, Method 2007, Condition B				20-2000 Hz; 0.06 inch; 15 g's; 3 planes		
	Humidity Steady State	MIL-STD-202, Method 103				40°C; 90%-95% R.H.; 56 days		
	Thermal Shock	MIL-STD-883, Method 1011.7, Cond. B				100°C to 0°C; Water-to-Water; 15 cycles		
	Electrostatic Discharge	MIL-STD-883, Method 3015, Class II				2 KV to 4 KV Threshold		
	Solderability	MIL-STD-883, Method 2022.2				Solder dip; Meniscograph Criteria		
	Hermeticity	MIL-STD-883, Method 1014.8, Cond. A1				Mass spectro. 2 x 10 ⁻⁸ atoms. CC/sec He		
	Resistance to Soldering	See "Figure 2" on page 147						
	Lead Integrity	MIL-STD-883, Mtd. 2004.5, Cond. A,B1				Lead tension & bend stress		
	Marking Permanence	MIL-STD-883, Method 2015.8				Resistance to solvents		
	Life Test	MIL-STD-883, Method 1005.6				125°C, powered, 1000 hours minimum		

M-tron reserves the right to make changes to the product(s) and service(s) described herein without notice. No liability is assumed as a result of their use or application. No rights under any patent accompany the sale of such product.

M-tron Industries, Inc., PO Box 630, Yankton, SD 57078-0630, USA Phone: 605-665-9321 or 1-800-762-8800 Fax: 605-665-1709 Website: www.mtron.com
 M-tron Industries Limited, 1104 Shanghai Industrial Investment Building, 48-62 Hennessy Road, Wanchai, Hong Kong, China Phone: 852-2866-8023 Fax: 852-2529-1822