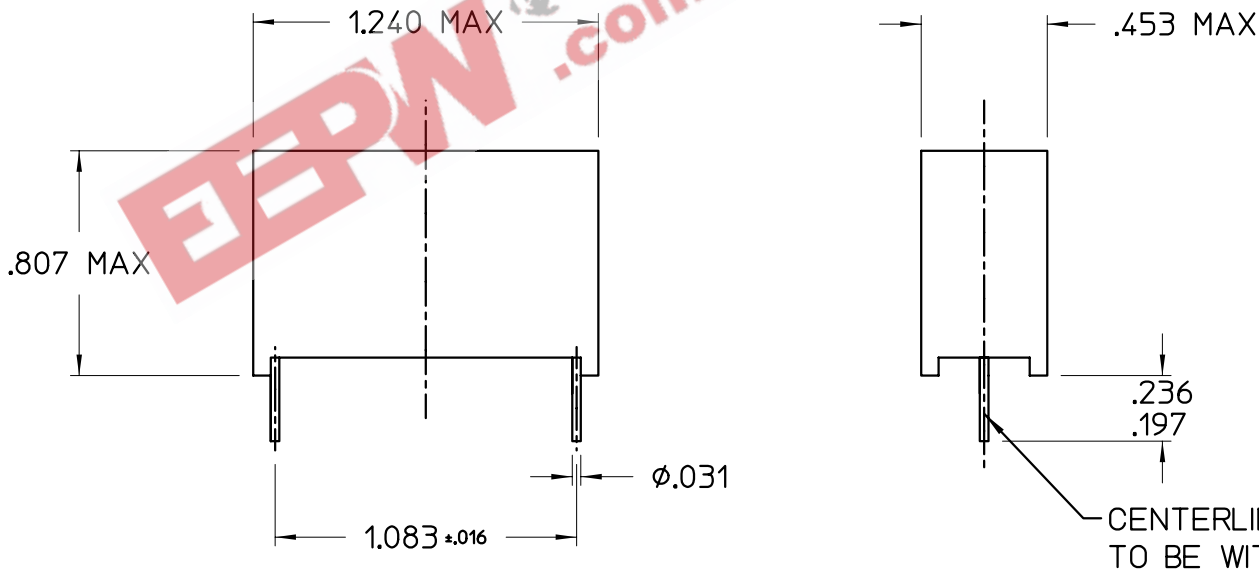


VICOR CONFIDENTIAL

THIS DOCUMENT AND THE DATA DISCLOSED
HEREIN OR HEREWITH IS NOT TO BE REPRODUCED,
USED, OR DISCLOSED IN WHOLE OR IN PART
TO ANYONE WITHOUT PERMISSION OF VICOR CORP.

REV.	DESC
01	DRAWN & RELEASED P



NOTES:

1. COATING: PLASTIC CAN: EPOXY RESIN SEALED, FLAME RETARDANT COATING
2. LEADS: RADIAL; TINNED COPPER WIRE
3. RATED VOLTAGE: 250VAC, 50/60 HZ
4. APPROVALS: VDE, SEV, DEMKO, SEMKO, NEMKO SETI, UL RECOGNIZED, IMQ, OVE

UNLESS OTHERWISE SPECIFIED DIMENSIONS ARE IN INCHES TOLERANCES ARE:	APPROVALS	DATE	CAP, .4
	DRAWN: RCM	6/22/94	
FRACTIONS ± 1/64	DECIMALS .XX ± .01	ANGLES ± 1°	SIZE B
	.XXX ± .005		FSCM N 67
THIRD ANGLE PROJECTION			SCALE 2X
DO NOT SCALE DRAWING			