

**0.8A STEP-DOWN/STEP-UP/INVERTING DC-DC CONVERTER****AZ34063C****General Description**

The AZ34063C is a monolithic switching regulator control circuit containing the primary functions required for DC-DC converters. This device consists of internal temperature compensated reference, voltage comparator, controlled duty cycle oscillator with active current limit circuit, driver and high current output switch. This device is specifically designed to be used in Step-Down, Step-Up and Voltage-Inverting applications with a minimum number of external components.

The AZ34063C is the enhanced version of AZ34063 with the ability to work in higher frequency.

The AZ34063C is available in 2 packages: SOIC-8 and DIP-8.

Features

- Operation from 3.0V to 36V Input
- Low Standby Current
- Current Limiting
- Output Switch Current to 0.8A
- Output Voltage Adjustable
- Operation Frequency up to 180KHz (CT=100pF)
- Precision 2% Reference

Applications

- Battery Chargers
- NICs/ Switches/ Hubs
- ADSL Modems
- Negative Voltage Power Supplies

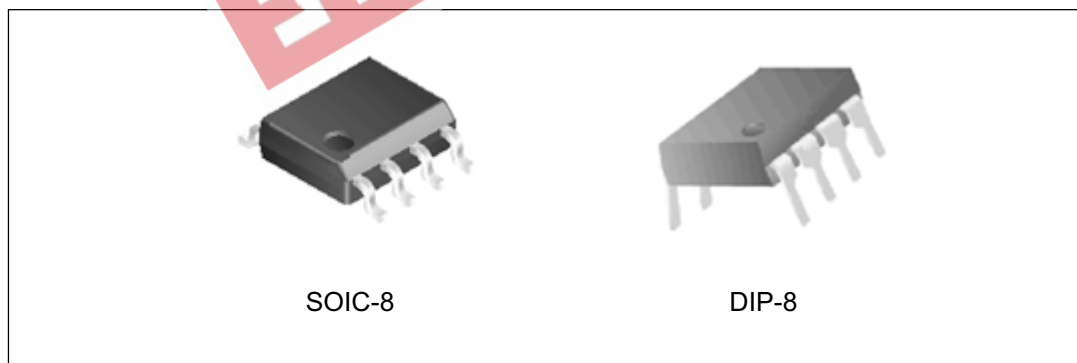


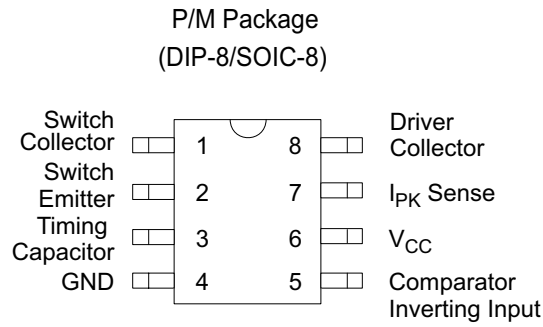
Figure 1. Package Types of AZ34063C



0.8A STEP-DOWN/STEP-UP/INVERTING DC-DC CONVERTER

AZ34063C

Pin Configuration



Top View

Figure 2. Pin Configuration of AZ34063C

Functional Block Diagram

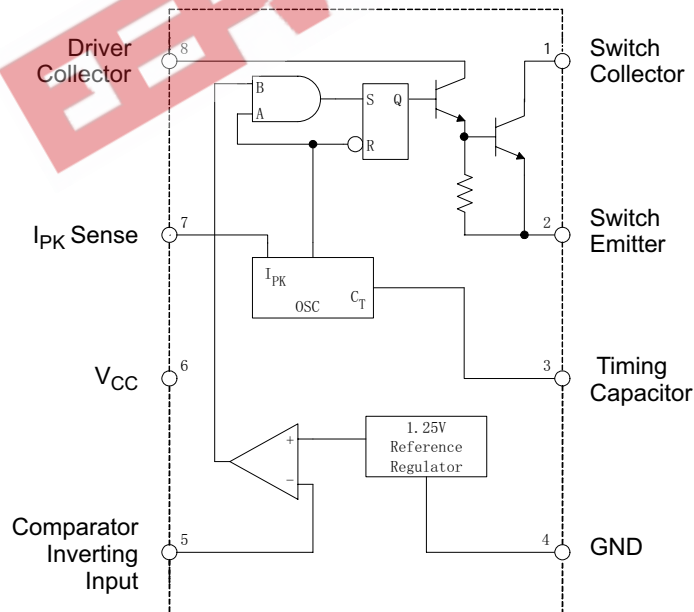


Figure 3. Functional Block Diagram of AZ34063C

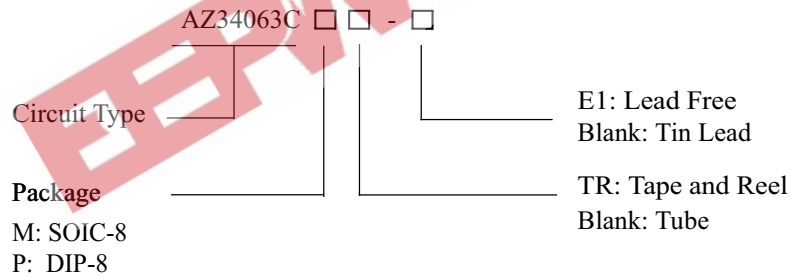


0.8A STEP-DOWN/STEP-UP/INVERTING DC-DC CONVERTER **AZ34063C**

Pin Description

Pin Number	Pin Name	Function
1	Switch Collector	Internal switch transistor collector
2	Switch Emitter	Internal switch transistor emitter
3	Timing Capacitor	Timing Capacitor to control the switching frequency
4	GND	Ground pin for all internal circuits
5	Comparator Inverting Input	Inverting input pin for internal comparator
6	V _{CC}	Voltage supply
7	I _{PK} Sense	Peak Current Sense Input by monitoring the voltage drop across an external I sense resistor to limit the peak current through the switch
8	Driver Collector	Voltage driver collector

Ordering Information



Package	Temperature Range	Part Number		Marking ID		Packing Type
		Tin Lead	Lead Free	Tin Lead	Lead Free	
SOIC-8	-40 to 85°C	AZ34063CM	AZ34063CM-E1	34063CM	34063CM-E1	Tube
		AZ34063CMTR	AZ34063CMTR-E1	34063CM	34063CM-E1	Tape & Reel
DIP-8	-40 to 85°C	AZ34063CP	AZ34063CP-E1	AZ34063CP	AZ34063CP-E1	Tube

BCD Semiconductor's Pb-free products, as designated with "E1" suffix in the part number, are RoHS compliant.

**0.8A STEP-DOWN/STEP-UP/INVERTING DC-DC CONVERTER****AZ34063C****Absolute Maximum Ratings (Note 1)**

Parameter	Symbol	Value	Unit
Power Supply Voltage	V_{CC}	40	V
Comparator Input Voltage Range	V_{IR}	-0.3 to 40	V
Switch Collector Voltage	$V_{C}(\text{switch})$	40	V
Switch Emitter Voltage ($V_{pin1}=40V$)	$V_{E}(\text{switch})$	40	V
Switch Collector to Emitter Voltage	$V_{CE}(\text{switch})$	40	V
Driver Collector Voltage	$V_{C}(\text{driver})$	40	V
Driver Collector Current (Note 2)	$I_{C}(\text{driver})$	100	mA
Switch Current	I_{SW}	0.8	A
Power Dissipation and Thermal Characteristics			
Plastic Package,			
Power Dissipation ($T_A = 25\text{ }^\circ\text{C}$)	P_D	1.25	W
Thermal Resistance	$R_{\theta J}$	100	$^\circ\text{C}/\text{W}$
SOIC Package,			
Power Dissipation ($T_A = 25\text{ }^\circ\text{C}$)	P_D	625	mW
Thermal Resistance	$R_{\theta JA}$	160	$^\circ\text{C}/\text{W}$
Operating Junction Temperature	T_J	150	$^\circ\text{C}$
Storage Temperature Range	T_{STG}	-65 to 150	$^\circ\text{C}$
ESD (Human body model)		2000	V

Note 1: Stresses greater than those listed under "Absolute Maximum Ratings" may cause permanent damage to the device. These are stress ratings only, and functional operation of the device at these or any other conditions beyond those indicated under "Recommended Operating Conditions" is not implied. Exposure to "Absolute Maximum Ratings" for extended periods may affect device reliability.

Note 2: Maximum package power dissipation limits must be observed.

Recommended Operating Conditions

Parameter	Symbol	Min	Max	Unit
Supply Voltage	V_{CC}	3	36	V
Ambient Temperature	T_A	-40	85	$^\circ\text{C}$



0.8A STEP-DOWN/STEP-UP/INVERTING DC-DC CONVERTER AZ34063C

Electrical Characteristics

($V_{CC} = 5.0\text{ V}$, $T_A = -40\text{ to }85^\circ\text{C}$, unless otherwise specified.)

Parameter	Symbol	Conditions	Min	Typ	Max	Unit	
OSCILLATOR							
Frequency	f_{OSC}	$V_{Pin\ 5} = 0\text{ V}$, $T_A = 25^\circ\text{C}$	$CT = 1.0\text{ nF}$	30	38	45	KHz
			$CT = 330\text{ pF}$	75	88	100	KHz
Charge Current	I_{CHG}	$V_{CC} = 5.0\text{ V to }36\text{ V}$, $T_A = 25^\circ\text{C}$	30	38	45	μA	
Discharge Current	I_{DISCHG}	$V_{CC} = 5.0\text{ V to }36\text{ V}$, $T_A = 25^\circ\text{C}$	180	240	290	μA	
Discharge to Charge Current Ratio	I_{DISCHG}/I_{CHG}	Pin 7 to V_{CC} , $T_A = 25^\circ\text{C}$	5.2	6.5	7.5		
Current Limit Sense	$V_{IPK(sense)}$	$I_{CHG} = I_{DISCHG}$, $T_A = 25^\circ\text{C}$	250	300	350	mV	
OUTPUT SWITCH (Note 3)							
Saturation Voltage, Darlingtion Connection	$V_{CE(sat)}$	$I_{SW} = 0.8\text{ A}$, Pins 1, 8 connected		1.0	1.3	V	
Saturation Voltage (Note 4)	$V_{CE(sat)}$	$I_{SW} = 0.8\text{ A}$, $R_{Pin\ 8} = 82\ \Omega$ to V_{CC} , Forced $\beta = 20$		0.45	0.8	V	
DC Current Gain	h_{FE}	$I_{SW} = 0.8\text{ A}$, $V_{CE} = 5.0\text{ V}$	50	75			
Collector Off-State Current	$I_{C(off)}$	$V_{CE} = 36\text{ V}$		0.01	100	μA	
COMPARATOR							
Threshold Voltage	V_{TH}	$T_A = 25^\circ\text{C}$	1.225	1.250	1.275	V	
		$T_A = -40\text{ to }85^\circ\text{C}$	1.21		1.29		
Threshold Voltage Line Regulation	R_{EGLINE}	$V_{CC} = 3.0\text{ V to }36\text{ V}$		1.4	5	mV	
Input Bias Current	I_{IB}	$V_{IN} = 0\text{ V}$		-20	-400	nA	
TOTAL DEVICE							
Supply Current	I_{CC}	$V_{CC} = 5.0\text{ V to }36\text{ V}$, $CT = 1.0\text{ nF}$, Pin 7 = V_{CC} , $V_{Pin\ 5} > V_{TH}$, Pin 2 = GND, other pins open			4	mA	

Note 3: Low duty cycle pulse technique are used during test to maintain junction temperature as close to ambient temperature as possible.

Note 4: If the output switch is driven into hard saturation (non-Darlington configuration) at low switch currents ($\leq 300\text{mA}$) and high driver currents ($\geq 30\text{mA}$), it may take up to 2.0us for it to come out of saturation. This condition will shorten the off time at frequencies 30KHz, and is magnified at high temperatures. This condition does not occur with a Darlington configuration, since the output switch cannot saturate. If a non-Darlington configuration is used, the following output drive condition is recommended:



0.8A STEP-DOWN/STEP-UP/INVERTING DC-DC CONVERTER

AZ34063C

Electrical Characteristics (Continued)

Forced β of output switch: $\frac{I_C \text{ output}}{I_C \text{ driver} - 7.0\text{mA}} \geq 10$

* The 100 Ω resistor in the emitter of the driver device requires about 7.0 mA before the output switch conducts.

Typical Performance Characteristics

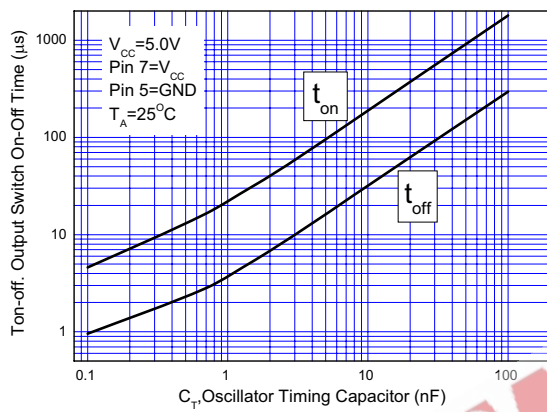


Figure 4. Output Switch On-Off Time vs. Oscillator Timing Capacitor

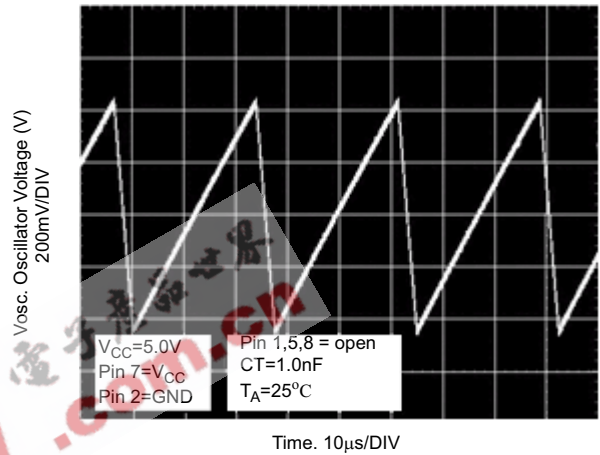


Figure 5. Timing Capacitor Waveform

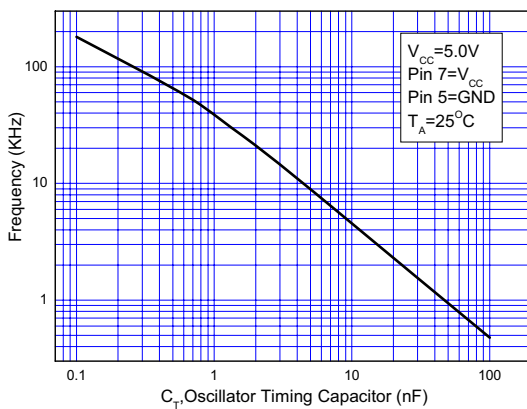


Figure 6. Oscillator Frequency vs. Timing Capacitor

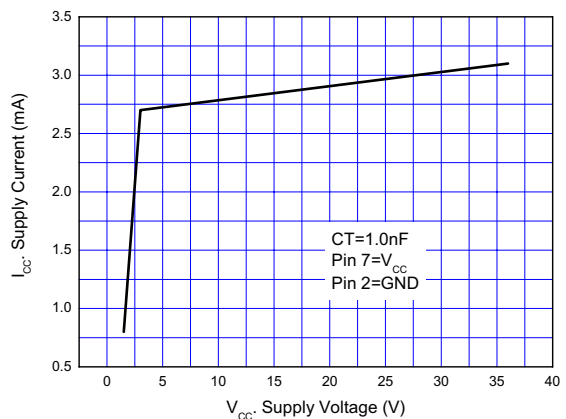


Figure 7. Standby Supply Current vs. Supply Voltage



0.8A STEP-DOWN/STEP-UP/INVERTING DC-DC CONVERTER

AZ34063C

Typical Performance Characteristics (Continued)

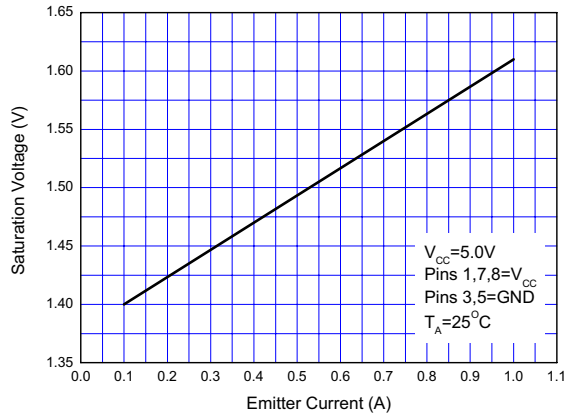


Figure 8. Emitter Follower Configuration Output Saturation Voltage vs. Emitter Current

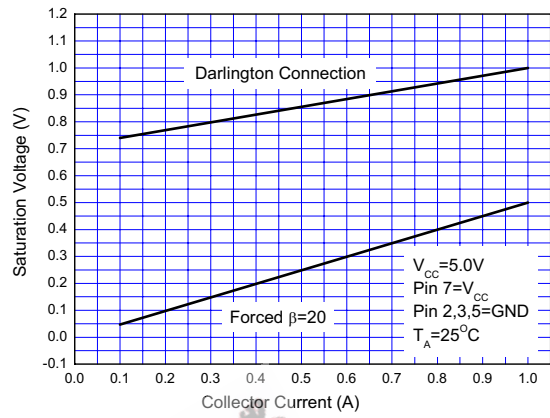


Figure 9. Common Emitter Configuration Output Switch Saturation Voltage vs. Collector Current

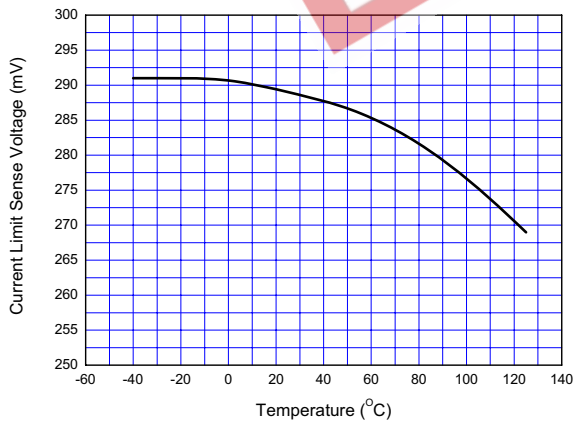


Figure 10. Current Limit Sense Voltage vs. Temperature

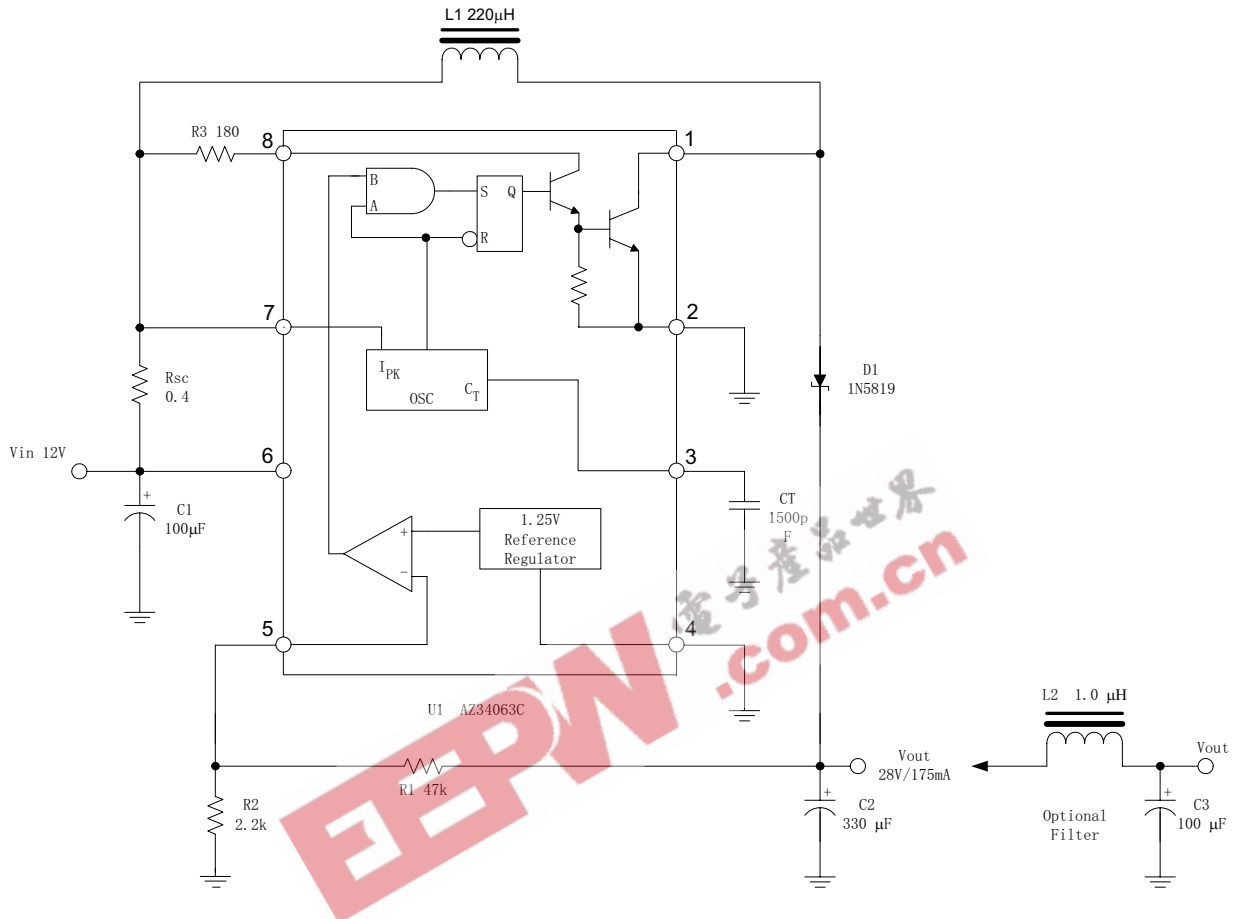
**0.8A STEP-DOWN/STEP-UP/INVERTING DC-DC CONVERTER****AZ34063C****Typical Applications**

Figure 10. Step-Up Converter (Note 5)

Note 5: This is a typical step-up converter configuration. In the steady state, if the resistor divider voltage at pin 5 is greater than the voltage in the non-inverting input, which is 1.25V determined by the internal reference, the output of the comparator will go low. At the next switching period, the output switch will not conduct and the output voltage will eventually drop below its nominal voltage until the divider voltage at pin 5 is lower than 1.25V. Then the output of the comparator will go high, the output switch will be allowed to conduct. Since $V_{pin5} = V_{OUT} * R2 / (R1 + R2) = 1.25(V)$, the output voltage can be decided by $V_{OUT} = 1.25 * (R1 + R2) / R2 (V)$.



Typical Applications (Continued)

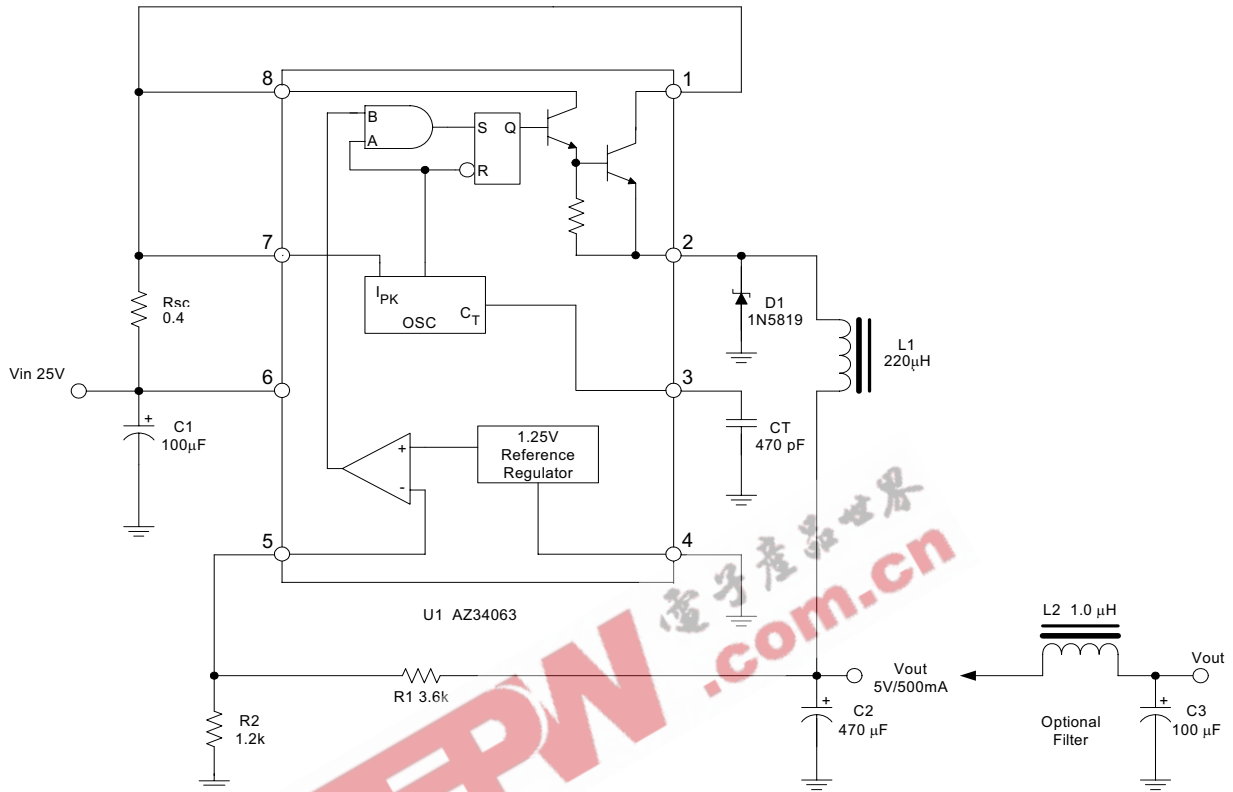


Figure 11. Step-Down converter (Note 6)

Note 6: This is a typical step-down converter configuration. The working process in the steady state is similar to step-up converter, $V_{pin5} = V_{OUT} * R2 / (R1 + R2) = 1.25 (V)$, the output voltage can be decided by $V_{OUT} = 1.25 * (R1 + R2) / R2 (V)$.



0.8A STEP-DOWN/STEP-UP/INVERTING DC-DC CONVERTER

AZ34063C

Typical Applications (Continued)

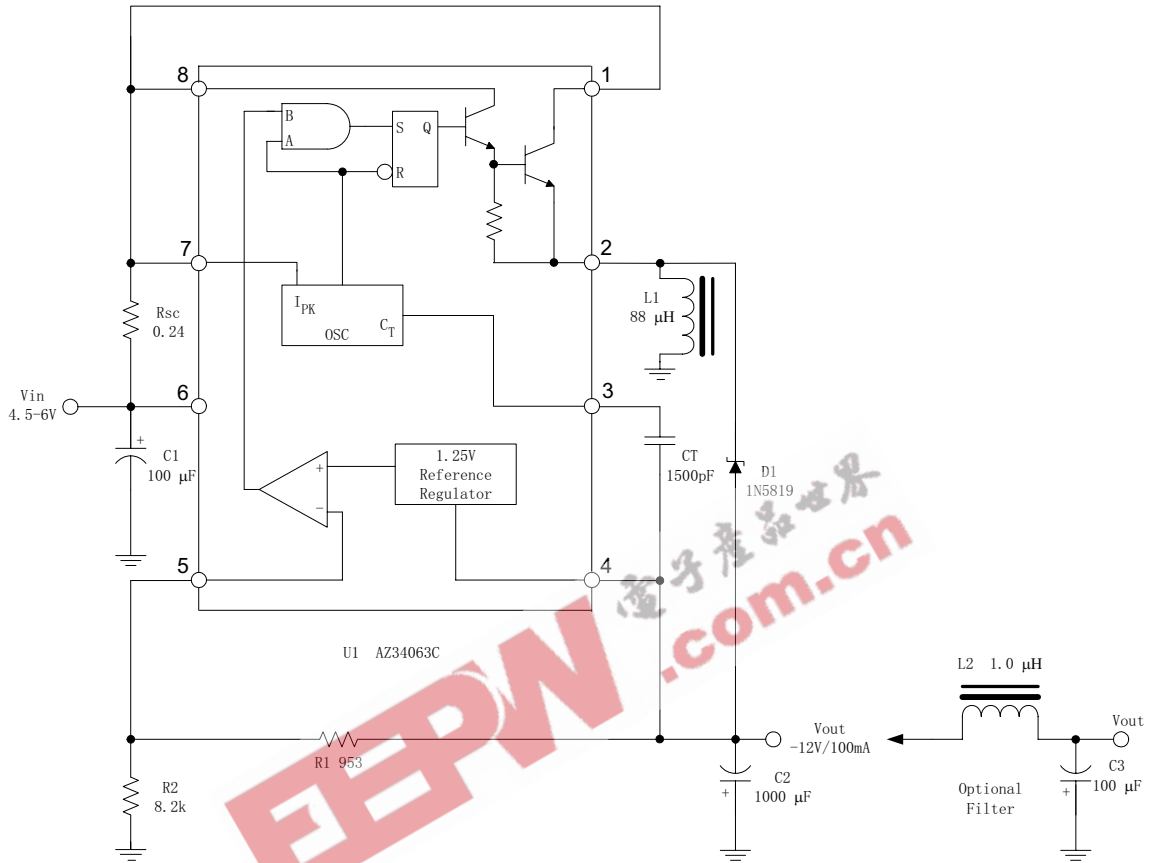


Figure 12. Voltage Inverting Converter (Note 7)

Note 7: This is a typical inverting converter configuration. The working process in the steady state is similar to step-up converter, the difference in this situation is that the voltage at the non-inverting pin of the comparator is equal to $1.25V + V_{OUT}$, then $V_{pin5} = V_{OUT} * R2 / (R1 + R2) = 1.25V + V_{OUT}$, so the output voltage can be decided by $V_{OUT} = -1.25 * (R1 + R2) / R1$ (V).



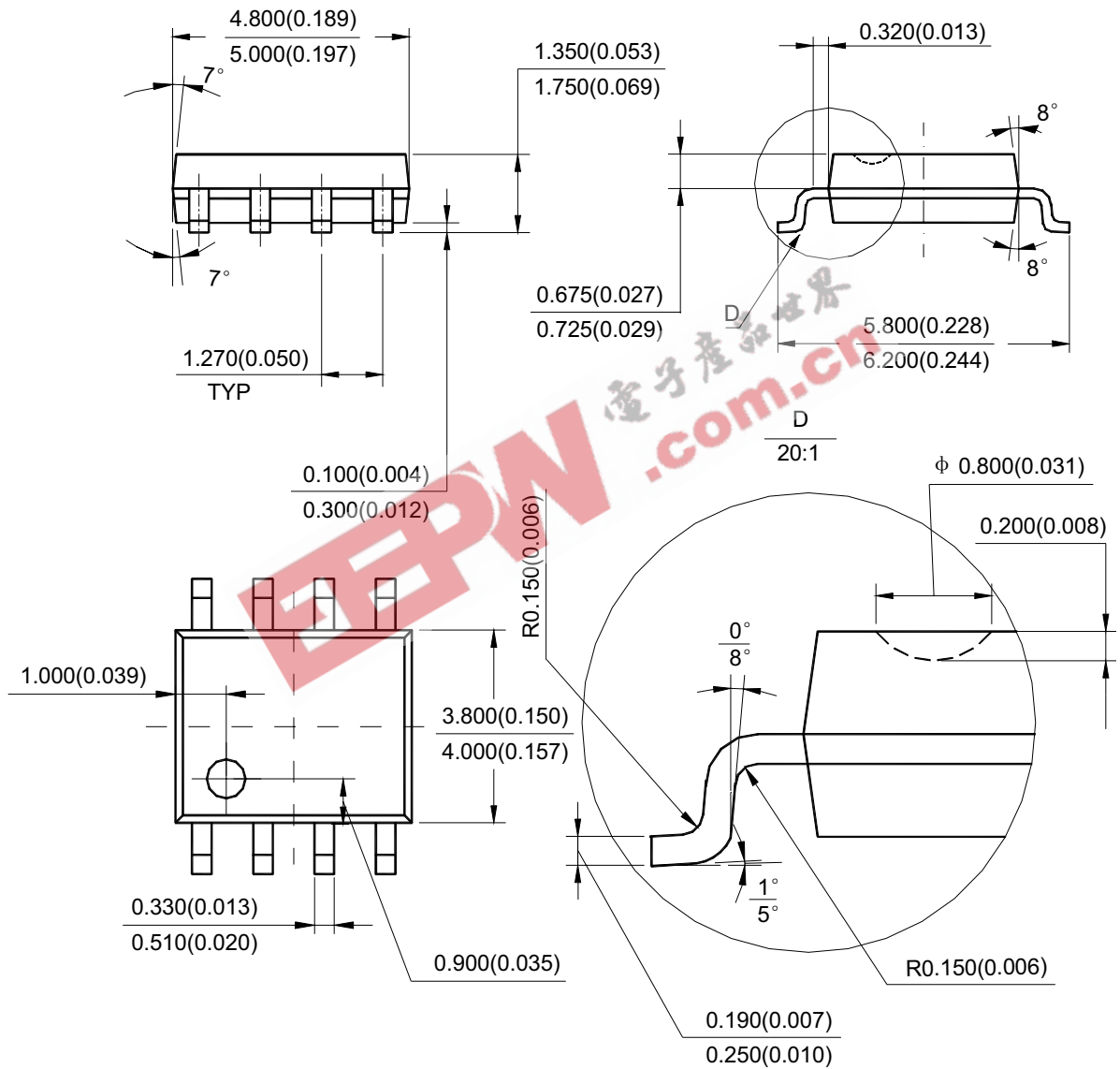
0.8A STEP-DOWN/STEP-UP/INVERTING DC-DC CONVERTER

AZ34063C

Mechanical Dimensions

SOIC-8

Unit: mm(inch)





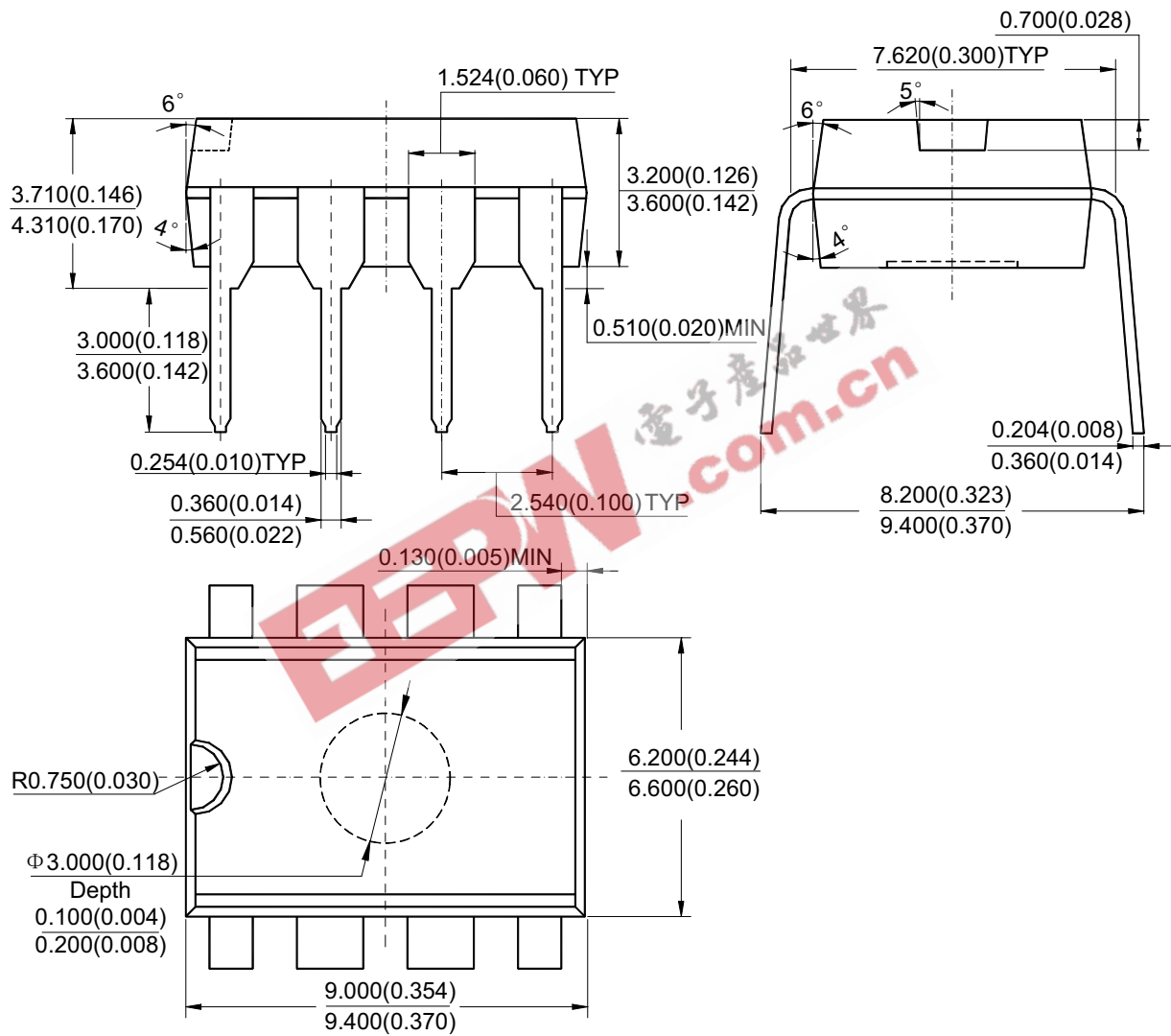
0.8A STEP-DOWN/STEP-UP/INVERTING DC-DC CONVERTER

AZ34063C

Mechanical Dimensions (Continued)

DIP-8

Unit: mm(inch)





BCD Semiconductor Manufacturing Limited

<http://www.bcdsemi.com>

EEPW.com.cn
电子世界

BCD Semiconductor Corporation

3170 De La Cruz Blvd, Suite # 105 Santa Clara, CA 95054-2411, U.S.A

Tel: +1-408-988 6388, Fax: +1-408-988 6386

Shanghai SIM-BCD Semiconductor Manufacturing Co., Ltd.

800 Yi Shan Road, Shanghai 200233, PRC

Tel: +86-21-6485-1491, Fax: +86-21-5450-0008

Advanced Analog Circuits (Shanghai) Corporation

8F, B Zone, 900 Yi Shan Road, Shanghai 200233, PRC

Tel: +86-21-6495 9539, Fax: +86-21-6485 9673

BCD Semiconductor (Taiwan) Company Limited

Room 2210, 22nd Fl, 333, Keelung Road, Sec. 1, TaiPei (110), Taiwan

Tel: +886-2-2758 6828, Fax: +886-2-2758 6892

IMPORTANT NOTICE

BCD Semiconductor Manufacturing Limited reserves the right to make changes without further notice to any products or specifications herein. BCD Semiconductor Manufacturing Limited does not assume any responsibility for use of any its products for any particular purpose, nor does BCD Semiconductor Manufacturing Limited assume any liability arising out of the application or use of any its products or circuits. BCD Semiconductor Manufacturing Limited does not convey any license under its patent rights or other rights nor the rights of others.