



STK400-030

AF Power Amplifier (Split Power Supply) (20W+20W+20W, THD = 0.4%)

Overview

The STK400-030 is a 3-channel AF power amplifier IC supporting multichannel speakers. One package includes 20W×3ch for Lch, Rch and Cch. It is pin compatible with both 3-channel output devices (STK400-*00 series) and 2-channel output devices (STK401-*00 series). The output load impedance is 6/3Ω.

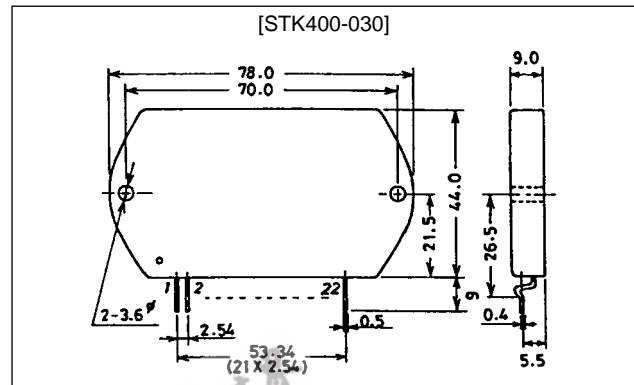
Features

- New series combining 3-channel output devices (STK400-*00 series) and 2-channel output devices (STK401-*00 series) with the same pin compatibility.
- Output load impedance is 6/3Ω.
- Pin assignment is grouped into individual blocks of inputs, outputs and supply lines, minimizing the adverse effects of pattern layout on operating characteristics.
- Minimum number of external components required.

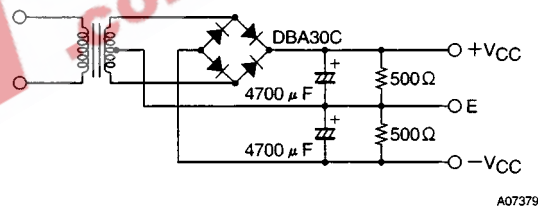
Package Dimensions

unit: mm

4086A



Specified Transformer Power Supply (RP-25 or Equivalent)



A07379

Specifications

Maximum Ratings at $T_a = 25^\circ\text{C}$

Parameter	Symbol	Conditions	Ratings	Unit
Maximum supply voltage	$V_{CC \text{ max}}$		± 34	V
Thermal resistance	θ_{j-c}	Per power transistor	2.1	$^\circ\text{C/W}$
Junction temperature	T_j		150	$^\circ\text{C}$
Operating substrate temperature	T_c		125	$^\circ\text{C}$
Storage temperature	T_{stg}		-30 to +125	$^\circ\text{C}$
Available time for load short-circuit	t_s	$V_{CC} = \pm 23\text{V}$, $R_L = 6\Omega$, $f = 50\text{Hz}$, $P_O = 20\text{W}$	1	s

Operating Characteristics at $T_a = 25^\circ\text{C}$, $R_L = 6\Omega$ (noninductive load), $R_g = 600\Omega$, $V_G = 40\text{dB}$

Parameter	Symbol	Conditions	min	typ	max	Unit
Output power	$P_{O(1)}$	$V_{CC} = \pm 23\text{V}$, $f = 20\text{Hz}$ to 20kHz, THD = 0.4%	20	25	-	W
	$P_{O(2)}$	$V_{CC} = \pm 19\text{V}$, $f = 1\text{kHz}$, THD = 1.0%, $R_L = 3\Omega$	20	25	-	W
Total harmonic distortion	THD(1)	$V_{CC} = \pm 23\text{V}$, $f = 20\text{Hz}$ to 20kHz, $P_O = 1.0\text{W}$	-	-	0.4	%
	THD(2)	$V_{CC} = \pm 23\text{V}$, $f = 1\text{kHz}$, $P_O = 5.0\text{W}$	-	0.02	-	%

SANYO Electric Co., Ltd. Semiconductor Business Headquarters

TOKYO OFFICE Tokyo Bldg., 1-10, 1 Chome, Ueno, Taito-ku, TOKYO, 110 JAPAN

Parameter	Symbol	Conditions	min	typ	max	Unit
Frequency response	f_L, f_H	$V_{CC} = \pm 23V, P_O = 1.0W, +0_{-3} dB$	-	20 to 50k	-	Hz
Input impedance	r_i	$V_{CC} = \pm 23V, f = 1kHz, P_O = 1.0W$	-	55	-	$k\Omega$
Output noise voltage	V_{NO}	$V_{CC} = \pm 28V, R_g = 10k\Omega$	-	-	1.2	mVrms
Quiescent current	I_{CCO}	$V_{CC} = \pm 28V$	30	90	150	mA
Neutral voltage	V_N	$V_{CC} = \pm 28V$	-70	0	+70	mV

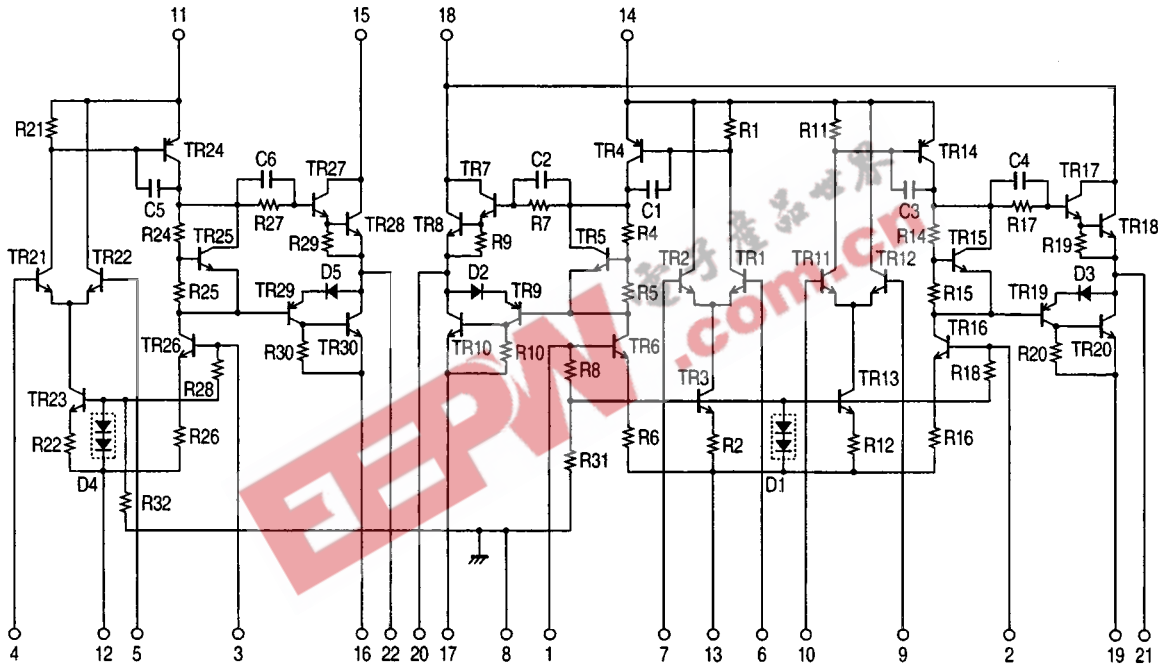
Notes.

All tests are conducted using a constant-voltage regulated power supply unless otherwise specified.

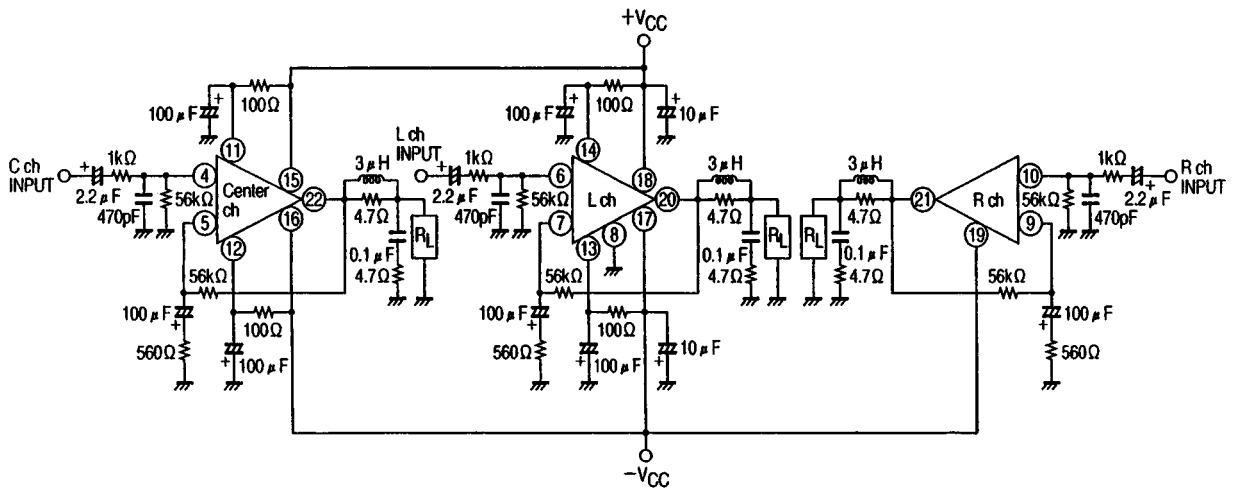
Available time for load shorted and output noise voltage are measured using the transformer power supply specified on page 1.

The output noise voltage is the peak value of an average-reading meter with an rms value scale (VTVM). A regulated AC supply (50Hz) should be used to eliminate the effects of AC primary line flicker noise.

Equivalent Circuit



Sample Application Circuit



STK400-030

Series Configuration

The products are serialized according to the number of channels, the output capacity, and the distortion ratio. These include the products under development: for details, please contact your Sanyo sales representative.

STK400-000, STK400-200 series (3-channel equal output)					STK401-000, STK401-200 series (2-channel)					Supply voltage [V]			
Type No.	THD [%]	Type No.	THD [%]	Rated output	Type No.	THD [%]	Type No.	THD [%]	Rated output	V _{CC} max1	V _{CC} max2	V _{CC} 1	V _{CC} 2
STK400-010	0.4	STK400-210	0.08	10W × 3	STK401-010	0.4	STK401-210	0.08	10W × 2	–	±26.0	±17.5	±14.0
STK400-020		STK400-220		15W × 3	STK401-020		STK401-220		15W × 2	–	±29.0	±20.0	±16.0
STK400-030		STK400-230		20W × 3	STK401-030		STK401-230		20W × 2	–	±34.0	±23.0	±19.0
STK400-040		STK400-240		25W × 3	STK401-040		STK401-240		25W × 2	–	±36.0	±25.0	±21.0
STK400-050		STK400-250		30W × 3	STK401-050		STK401-250		30W × 2	–	±39.0	±26.0	±22.0
STK400-060		STK400-260		35W × 3	STK401-060		STK401-260		35W × 2	–	±41.0	±28.0	±23.0
STK400-070		STK400-270		40W × 3	STK401-070		STK401-270		40W × 2	–	±44.0	±30.0	±24.0
STK400-080		STK400-280		45W × 3	STK401-080		STK401-280		45W × 2	–	±45.0	±31.0	±25.0
STK400-090		STK400-290		50W × 3	STK401-090		STK401-290		50W × 2	–	±47.0	±32.0	±26.0
STK400-100		STK400-300		60W × 3	STK401-100		STK401-300		60W × 2	–	±51.0	±35.0	±27.0
STK400-110		STK400-310		70W × 3	STK401-110		STK401-310		70W × 2	±56.0	–	±38.0	–
–		–		–	STK401-120		STK401-320		80W × 2	±61.0	–	±42.0	–
–		–		–	STK401-130		STK401-330		100W × 2	±65.0	–	±45.0	–
–		–		–	STK401-140		STK401-340		120W × 2	±74.0	–	±51.0	–

STK400-400, STK400-600 series (3-channel different output)					Supply voltage [V]				
Type No.	THD [%]	Type No.	THD [%]	Rated output	V _{CC} max1	V _{CC} max2	V _{CC} 1	V _{CC} 2	
STK400-450	0.4	STK400-650	0.08	Cch	30W	–	±39.0	±26.0	±22.0
				L, Rch	15W	–	±29.0	±20.0	±16.0
STK400-460		STK400-660		Cch	35W	–	±41.0	±28.0	±23.0
				L, Rch	15W	–	±29.0	±20.0	±16.0
STK400-470		STK400-670		Cch	40W	–	±44.0	±30.0	±24.0
				L, Rch	20W	–	±34.0	±23.0	±19.0
STK400-480		STK400-680		Cch	45W	–	±45.0	±31.0	±25.0
				L, Rch	20W	–	±34.0	±23.0	±19.0
STK400-490		STK400-690		Cch	50W	–	±47.0	±32.0	±26.0
				L, Rch	25W	–	±36.0	±25.0	±21.0
STK400-500		STK400-700		Cch	60W	–	±51.0	±35.0	±27.0
				L, Rch	30W	–	±39.0	±26.0	±22.0
STK400-510		STK400-710		Cch	70W	±56.0	–	±38.0	–
				L, Rch	35W	–	±41.0	±28.0	±23.0
STK400-520	STK400-720	Cch	80W	±61.0	–	±42.0	–		
		L, Rch	40W	–	±44.0	±30.0	±24.0		
STK400-530	STK400-730	Cch	100W	±65.0	–	±45.0	–		
		L, Rch	50W	–	±47.0	±32.0	±26.0		

V_{CC} max1 (R_L = 6Ω), V_{CC} max2 (R_L = 3 to 6Ω), V_{CC}1 (R_L = 6Ω), V_{CC}2 (R_L = 3Ω)

Heatsink Design Considerations

The heatsink thermal resistance, θ_{c-a} , required to cover the hybrid IC's total power dissipation, P_d , is determined as follows:

Condition 1: Hybrid IC's substrate temperature not to exceed 125°C.

$$P_d \times \theta_{c-a} + T_a < 125^\circ\text{C} \dots\dots\dots (1)$$

where T_a is the guaranteed maximum ambient temperature.

Condition 2: Power transistor junction temperature, T_j , not to exceed 150°C.

$$P_d \times \theta_{c-a} + P_d/N \times \theta_{j-c} + T_a < 150^\circ\text{C} \dots\dots\dots (2)$$

where N is the number of power transistors and θ_{j-c} is the thermal resistance per power transistor. Note that the power dissipated per transistor is the total, P_d , divided evenly among the N power transistors.

Expressions (1) and (2) can be rewritten making θ_{c-a} the subject.

$$\theta_{c-a} < (125 - T_a)/P_d \dots\dots\dots (1')$$

$$\theta_{c-a} < (150 - T_a)/P_d - \theta_{j-c}/N \dots\dots\dots (2')$$

The heatsink required must have a thermal resistance that simultaneously satisfies both expressions.

The heatsink thermal resistance can be determined from (1)' and (2)' once the following parameters have been defined.

- Supply voltage : V_{CC}
- Load resistance : R_L
- Guaranteed maximum ambient temperature : T_a

The total device power dissipation when hybrid IC's $V_{CC} = \pm 23\text{V}$ and $R_L = 6\Omega$, for a continuous sine wave signal, is a maximum of 55W, as is in P_d - P_O graph.

When estimating the power dissipation for an actual audio signal input, the rule of thumb is to select P_d corresponding to 1/10 P_O max (within safe limits) for a continuous sine wave input. For example,

$$P_d = 31\text{W (for } 1/10 P_O \text{ max} = 2\text{W)}$$

The hybrid IC has 6 power transistors, and the thermal resistance per transistor, θ_{j-c} , is 2.1°C/W. If the guaranteed maximum ambient temperature, T_a , is 50°C, then the required heatsink thermal resistance, θ_{c-a} , is:

$$\text{From expression (1)'}: \theta_{c-a} < (125 - 50)/31 < 2.41$$

$$\text{From expression (2)'}: \theta_{c-a} < (150 - 50)/31 - 2.1/6 < 2.87$$

Therefore, to satisfy both expressions, the required heatsink must have a thermal resistance less than 2.41°C/W.

Similarly, when hybrid IC's $V_{CC} = \pm 19\text{V}$ and $R_L = 3\Omega$:

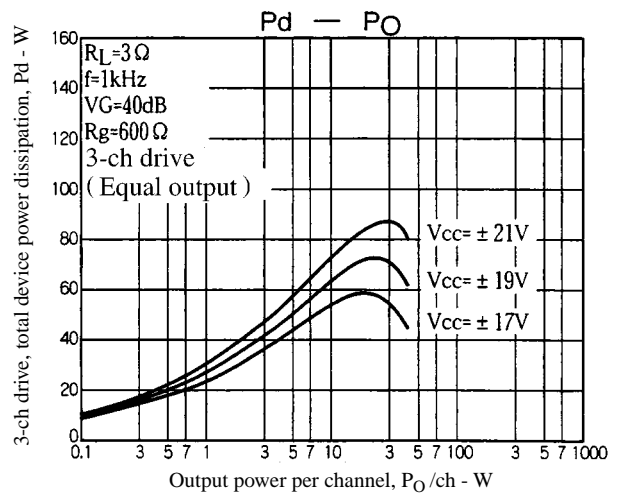
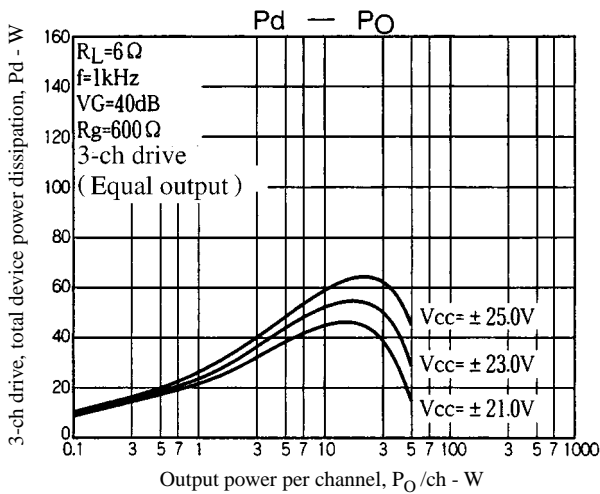
$$P_d = 36\text{W (for } 1/10 P_O \text{ max} = 2\text{W)}$$

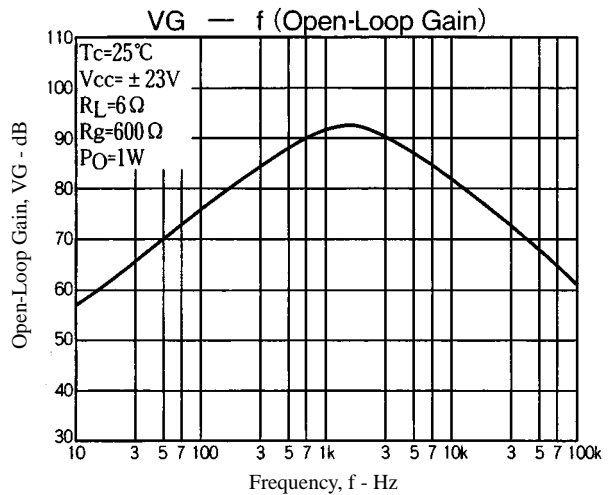
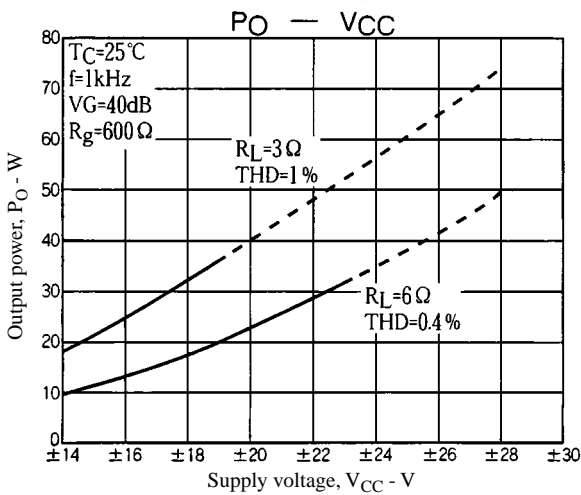
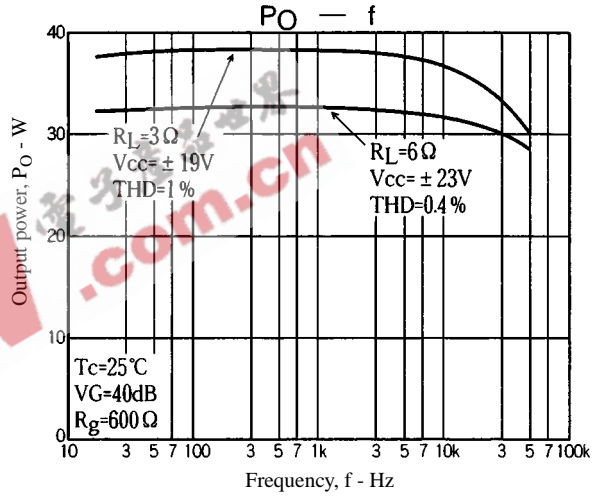
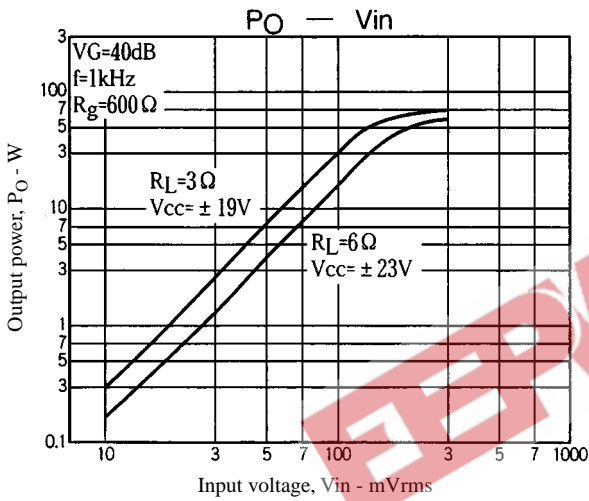
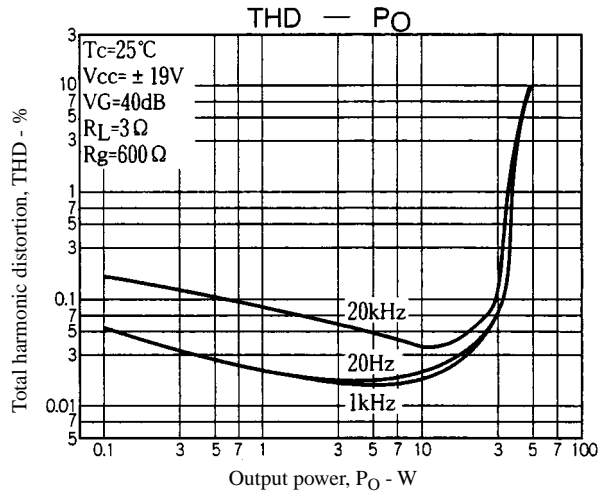
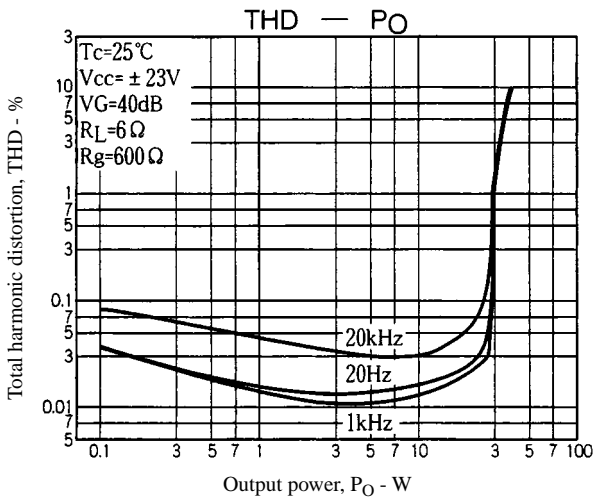
$$\text{From expression (1)'}: \theta_{c-a} < (125 - 50)/36 < 2.08$$

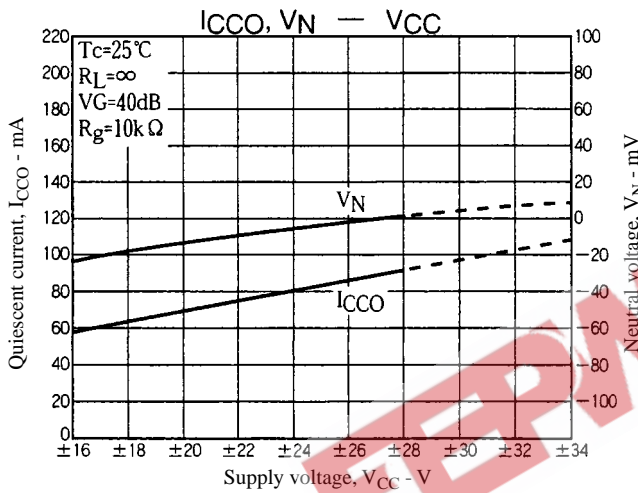
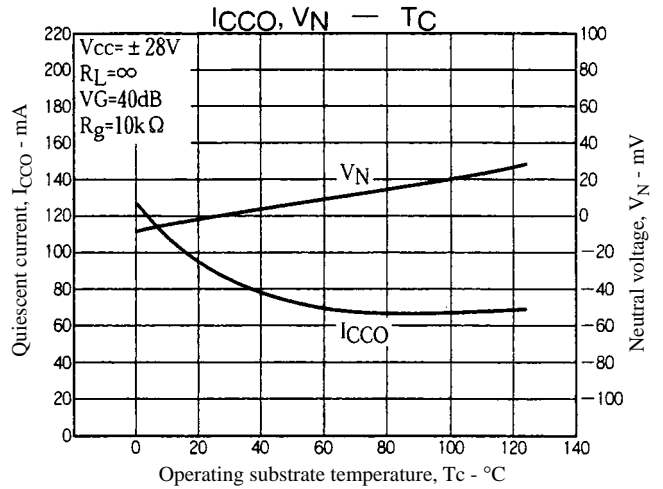
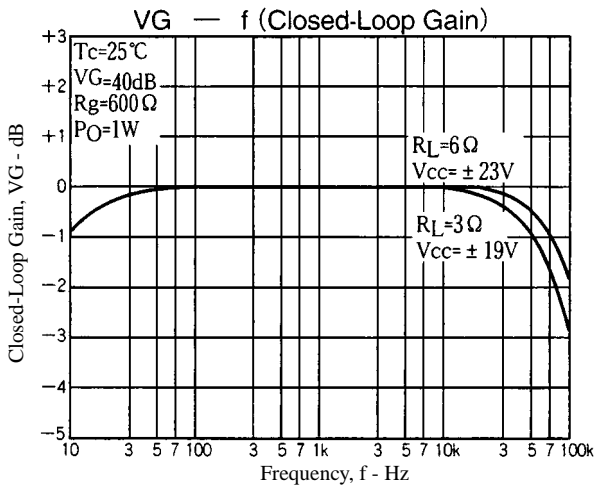
$$\text{From expression (2)'}: \theta_{c-a} < (150 - 50)/36 - 2.1/6 < 2.42$$

Therefore, to satisfy both expressions, the required heatsink must have a thermal resistance less than 2.08°C/W.

This heatsink design example is based on a constant-voltage regulated power supply, and should be verified within your specific set environment.







電子產品世界
www.electronic-world.com.cn

- No products described or contained herein are intended for use in surgical implants, life-support systems, aerospace equipment, nuclear power control systems, vehicles, disaster/crime-prevention equipment and the like, the failure of which may directly or indirectly cause injury, death or property loss.
- Anyone purchasing any products described or contained herein for an above-mentioned use shall:
 - ① Accept full responsibility and indemnify and defend SANYO ELECTRIC CO., LTD., its affiliates, subsidiaries and distributors and all their officers and employees, jointly and severally, against any and all claims and litigation and all damages, cost and expenses associated with such use:
 - ② Not impose any responsibility for any fault or negligence which may be cited in any such claim or litigation on SANYO ELECTRIC CO., LTD., its affiliates, subsidiaries and distributors or any of their officers and employees, jointly or severally.
- Information (including circuit diagrams and circuit parameters) herein is for example only; it is not guaranteed for volume production. SANYO believes information herein is accurate and reliable, but no guarantees are made or implied regarding its use or any infringements of intellectual property rights or other rights of third parties.

This catalog provides information as of November, 1997. Specifications and information herein are subject to change without notice.