

**STK4028X**

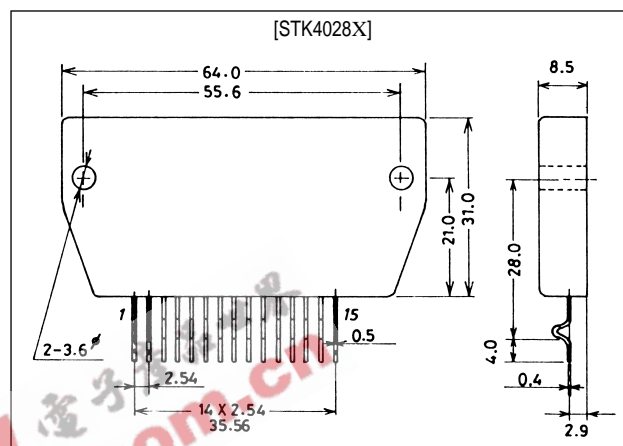
AF Power Amplifier (Split Power Supply) (30W min, THD = 0.018%)

Features

- Compact packaging supports slimmer set designs
- Series designed for 30 up to 100W and pin-compatibility
- Simpler heat sink design facilitates thermal design of slim stereo sets
- Current mirror circuit application reduces distortion to 0.018%
- Supports addition of electronic circuits for thermal shut-down and load-short protection circuit as well as pop noise muting which occurs when the power supply switch is turned on and off

Package Dimensions

unit: mm

4062

Specifications

Maximum Ratings at $T_a = 25^\circ\text{C}$

Parameter	Symbol	Conditions	Ratings	Unit
Supply voltage	$V_{CC \text{ max}}$		± 42	V
Thermal resistance	θ_{j-c}		2.1	$^\circ\text{C/W}$
Junction temperature	T_j		150	$^\circ\text{C}$
Operating substrate temperature	T_c		125	$^\circ\text{C}$
Storage temperature	T_{stg}		-30 to +125	$^\circ\text{C}$
Available time for load short-circuit	$t_s *1$	$V_{CC} = \pm 29\text{V}$, $R_L = 8\Omega$, $f = 50\text{Hz}$, $P_o = 30\text{W}$	2	s

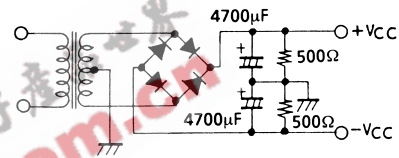
Operating Characteristics at $T_a = 25^\circ\text{C}$, $V_{CC} = \pm 29\text{V}$, $R_L = 8\Omega$, $V_G = 40\text{dB}$, $R_g = 600\Omega$, 10kLPF ON,
 R_L : Non-inductive load

Parameter	Symbol	Conditions	min	typ	max	Unit
Quiescent current	I_{CCO}	$V_{CC} = \pm 35.5\text{V}$	15		120	mA
Output power	$P_O(1)$	THD = 0.018%, $f = 20\text{Hz}$ to 20kHz	30			W
	$P_O(2)$	$V_{CC} = \pm 26\text{V}$, THD = 0.04%, $R_L = 4\Omega$, $f = 1\text{kHz}$	35			W
Total harmonic distortion	THD	$V_{CC} = \pm 29\text{V}$, $f = 1\text{kHz}$, $P_O = 1.0\text{W}$			0.008	%
Frequency characteristic	f_L, f_H	$V_{CC} = \pm 29\text{V}$, $P_O = 1.0\text{W}$, $+0, -3$ dB		20 to 50k		Hz
Input impedance	r_i	$V_{CC} = \pm 29\text{V}$, $f = 1\text{kHz}$, $P_O = 1.0\text{W}$		55		k Ω
Output noise voltage	$V_{NO} *2$	$V_{CC} = \pm 35.5\text{V}$, $R_g = 10\text{k}\Omega$			1.2	mVrms
Neutral voltage	V_N	$V_{CC} = \pm 35.5\text{V}$	-70	0	+70	mV

Notes. For power supply at the time of test, use a constant-voltage power supply unless otherwise specified.

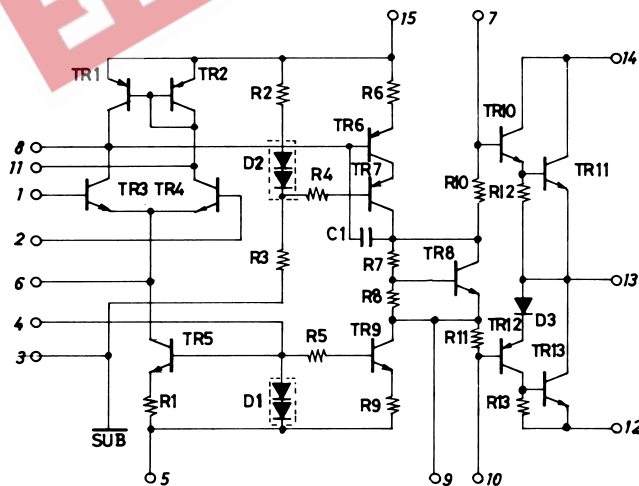
*1 For measurement of available time for load short-circuit and output noise voltage, use the specified transformer power supply shown right.

*2 The output noise voltage is represented by the peak value on rms scale (VTVM) of average value indicating type. The noise voltage waveform includes no flicker noise.

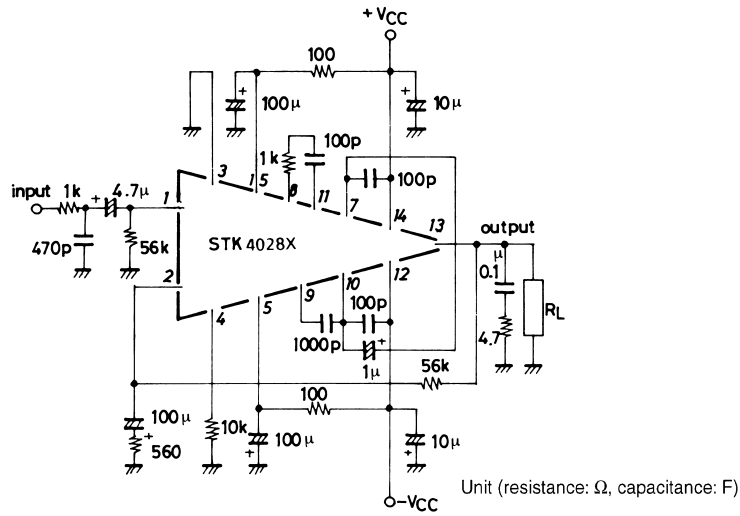


Specified Transformer Power Supply
(Equivalent to RP-25)

Equivalent Circuit



Sample Application Circuit: 30W min 1 channel AF Power Amplifier



EEPW.com.cn 电子产品世界

- No products described or contained herein are intended for use in surgical implants, life-support systems, aerospace equipment, nuclear power control systems, vehicles, disaster/crime-prevention equipment and the like, the failure of which may directly or indirectly cause injury, death or property loss.
- Anyone purchasing any products described or contained herein for an above-mentioned use shall:
 - ① Accept full responsibility and indemnify and defend SANYO ELECTRIC CO., LTD., its affiliates, subsidiaries and distributors and all their officers and employees, jointly and severally, against any and all claims and litigation and all damages, cost and expenses associated with such use:
 - ② Not impose any responsibility for any fault or negligence which may be cited in any such claim or litigation on SANYO ELECTRIC CO., LTD., its affiliates, subsidiaries and distributors or any of their officers and employees, jointly or severally.
- Information (including circuit diagrams and circuit parameters) herein is for example only; it is not guaranteed for volume production. SANYO believes information herein is accurate and reliable, but no guarantees are made or implied regarding its use or any infringements of intellectual property rights or other rights of third parties.

This catalog provides information as of June, 1997. Specifications and information herein are subject to change without notice.