

# STK4100MK2 Series

★2ch./1package,  $\pm$  Power Supply★6W/ch.  $\sim$  100W/ch.

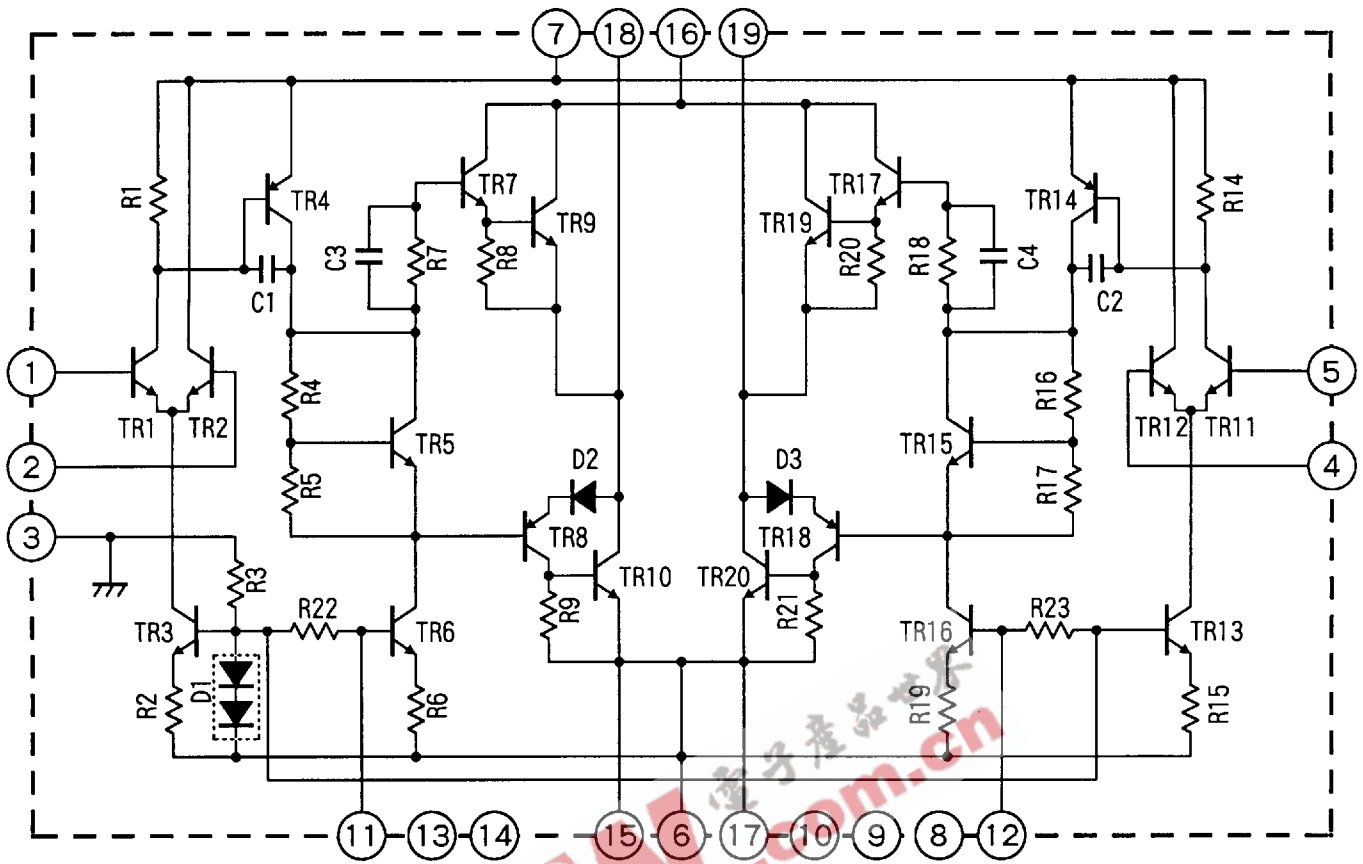
★THD = 0.4%

Model	Maximum Ratings 最大定格	Recommended Operating Conditions 推奨動作条件		Operating Characteristics (Recommend Operating Conditions at Test Circuit) 動作特性(Test Circuitにて 推奨動作条件による)			
	Vcc max (V)	Vcc (V)		Po max 1 RL=8 $\Omega$ f=20 $\sim$ 20kHz (W)	THD (Vc=40dB) (%)	Po max 2 RL=4 $\Omega$ f=1kHz (W)	THD (Vc=40dB) (%)
		RL=8 $\Omega$	RL=4 $\Omega$				
STK4100MK2	$\pm 20.5$	$\pm 13.5$	$\pm 12.0$	6 + 6	0.4	6 + 6	1.0
STK4110MK2	$\pm 26.0$	$\pm 17.0$	$\pm 14.0$	10 + 10	0.4	10 + 10	1.0
STK4120MK2	$\pm 30.5$	$\pm 21.0$	$\pm 17.0$	15 + 15	0.4	15 + 15	1.0
*STK4130MK2	$\pm 34.5$	$\pm 23.0$	$\pm 20.0$	20 + 20	0.4	20 + 20	1.0
*STK4140MK2	$\pm 40.0$	$\pm 27.0$	$\pm 22.0$	25 + 25	0.4	25 + 25	1.0
*STK4150MK2	$\pm 42.0$	$\pm 28.0$	$\pm 25.0$	30 + 30	0.4	35 + 35	1.0
*STK4160MK2	$\pm 45.0$	$\pm 30.5$	$\pm 26.5$	35 + 35	0.4	40 + 40	1.0
STK4170MK2	$\pm 48.0$	$\pm 32.0$	$\pm 28.0$	40 + 40	0.4	45 + 45	1.0
STK4180MK2	$\pm 50.0$	$\pm 33.5$	$\pm 30.0$	45 + 45	0.4	50 + 50	1.0
STK4190MK2	$\pm 52.5$	$\pm 35.0$	$\pm 32.0$	50 + 50	0.4	55 + 55	1.0
STK4200MK2	$\pm 55.0$	$\pm 38.0$	-	60 + 60	0.4	-	-
STK4210MK2	$\pm 60.0$	$\pm 42.0$	-	70 + 70	0.4	-	-
STK4220MK2	$\pm 65.0$	$\pm 45.0$	-	80 + 80	0.4	-	-
STK4230MK2	$\pm 75.0$	$\pm 51.0$	-	100 + 100	0.4	-	-

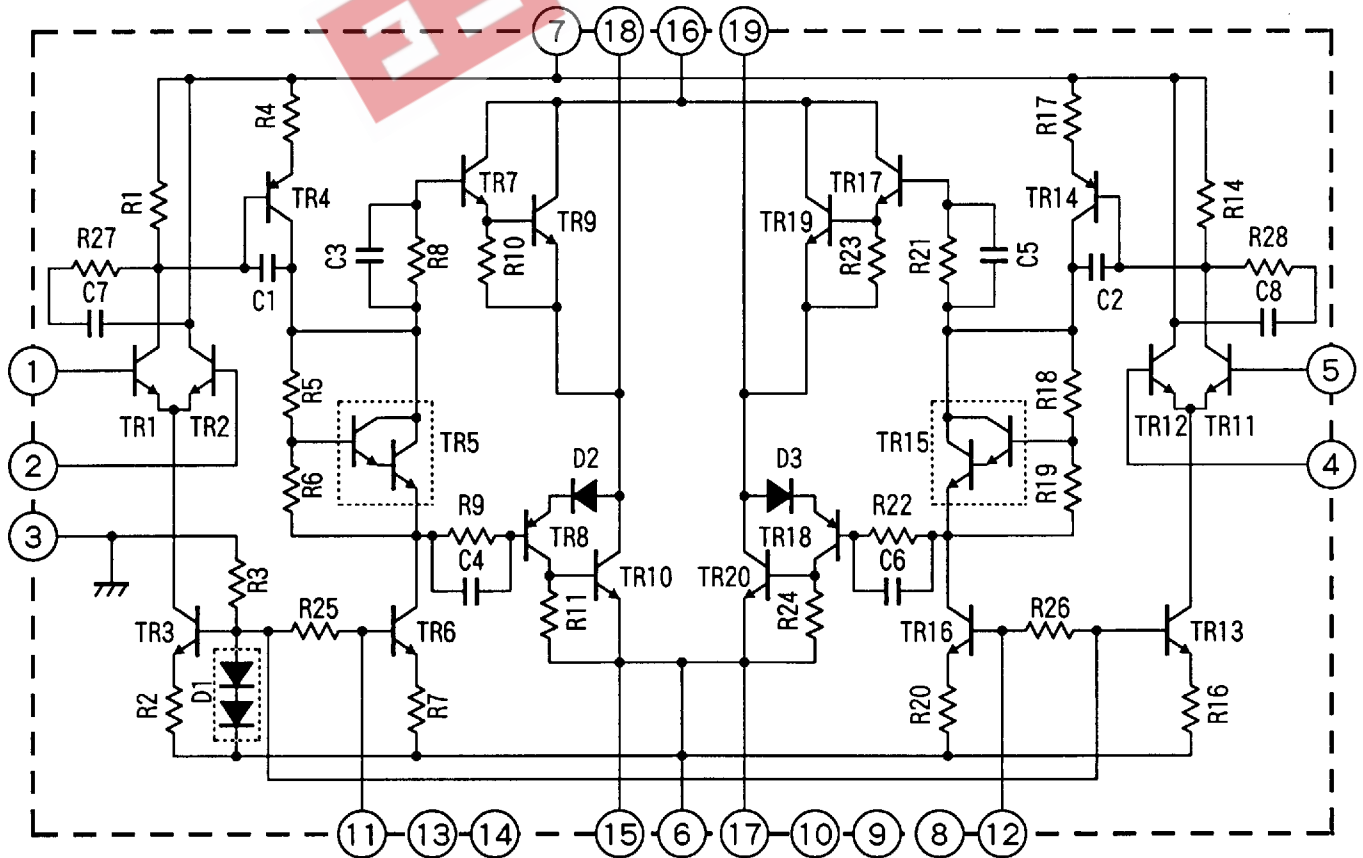
\* Under mass production

■ Equivalent Circuit

① STK4100MK2 ~ STK4190MK2

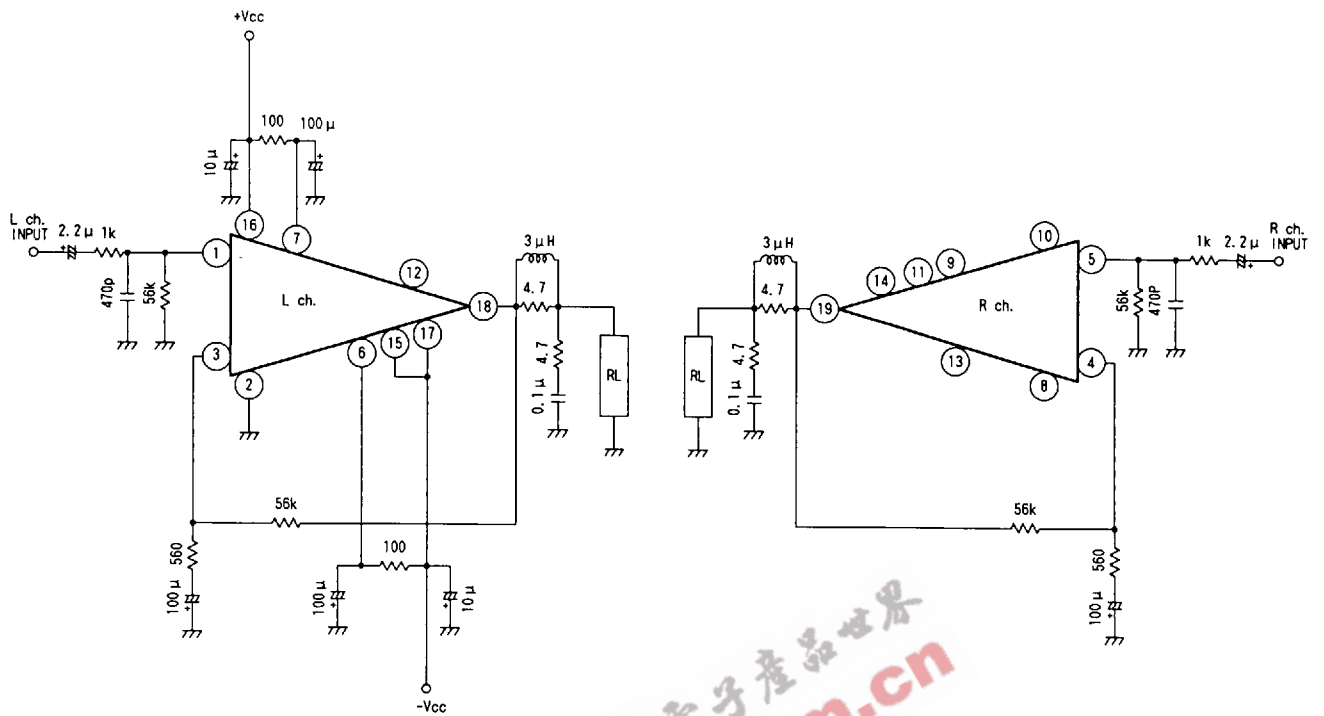


② STK4200MK2 ~ STK4230MK2

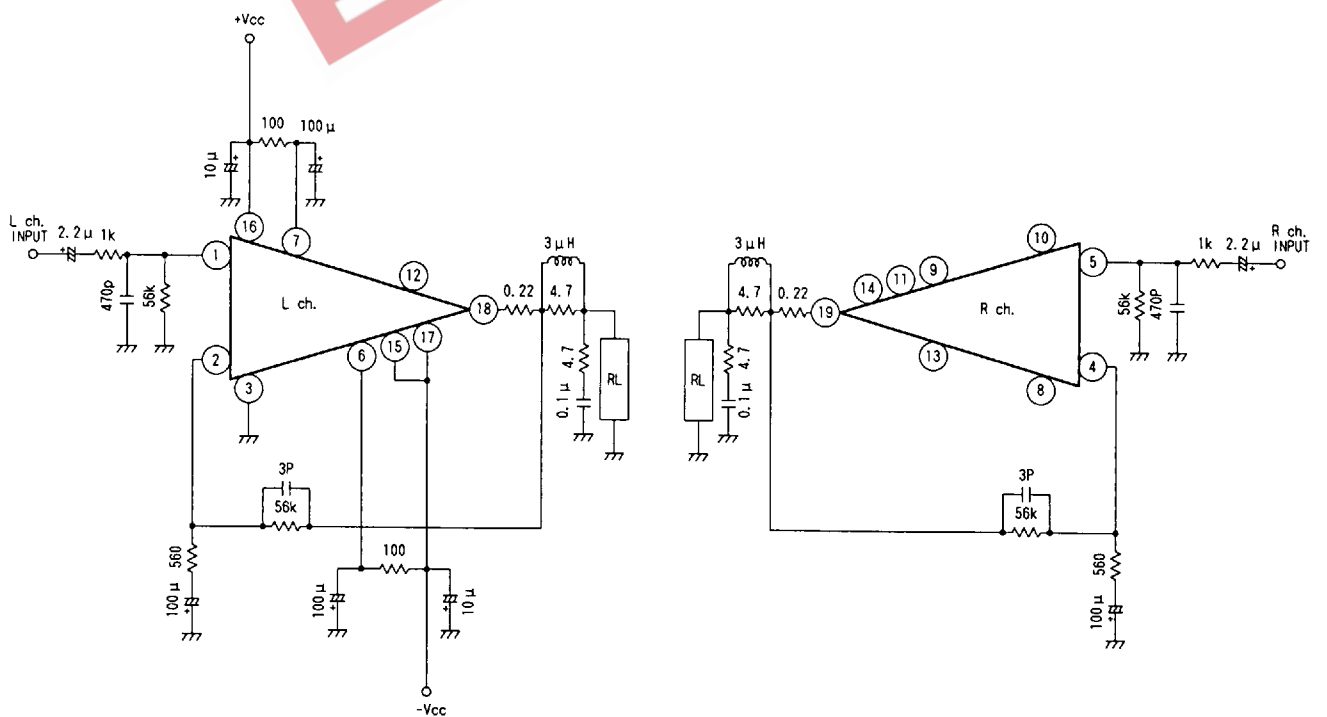


■ Test Circuit

④ STK4100MK2 ~ STK4190MK2

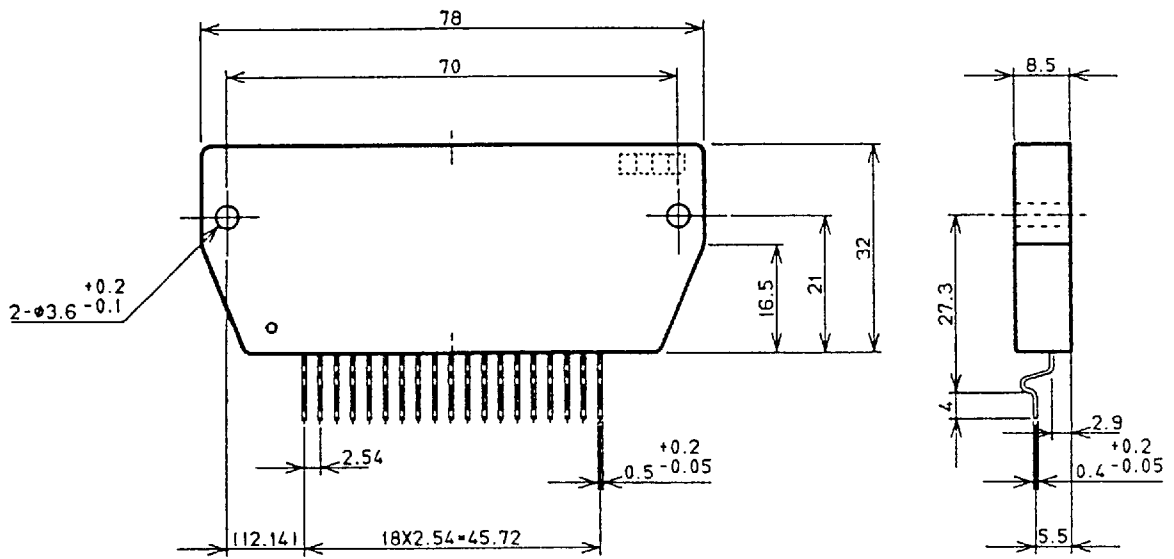


⑤ STK4200MK2 ~ STK4230MK2



■ Case Outline

① STK4100MK2 ~ STK4190MK2



② STK4200MK2 ~ STK4230MK2

