

STK4100MK2 Series

★2ch./1package, \pm Power Supply

★6W/ch. \sim 100W/ch.

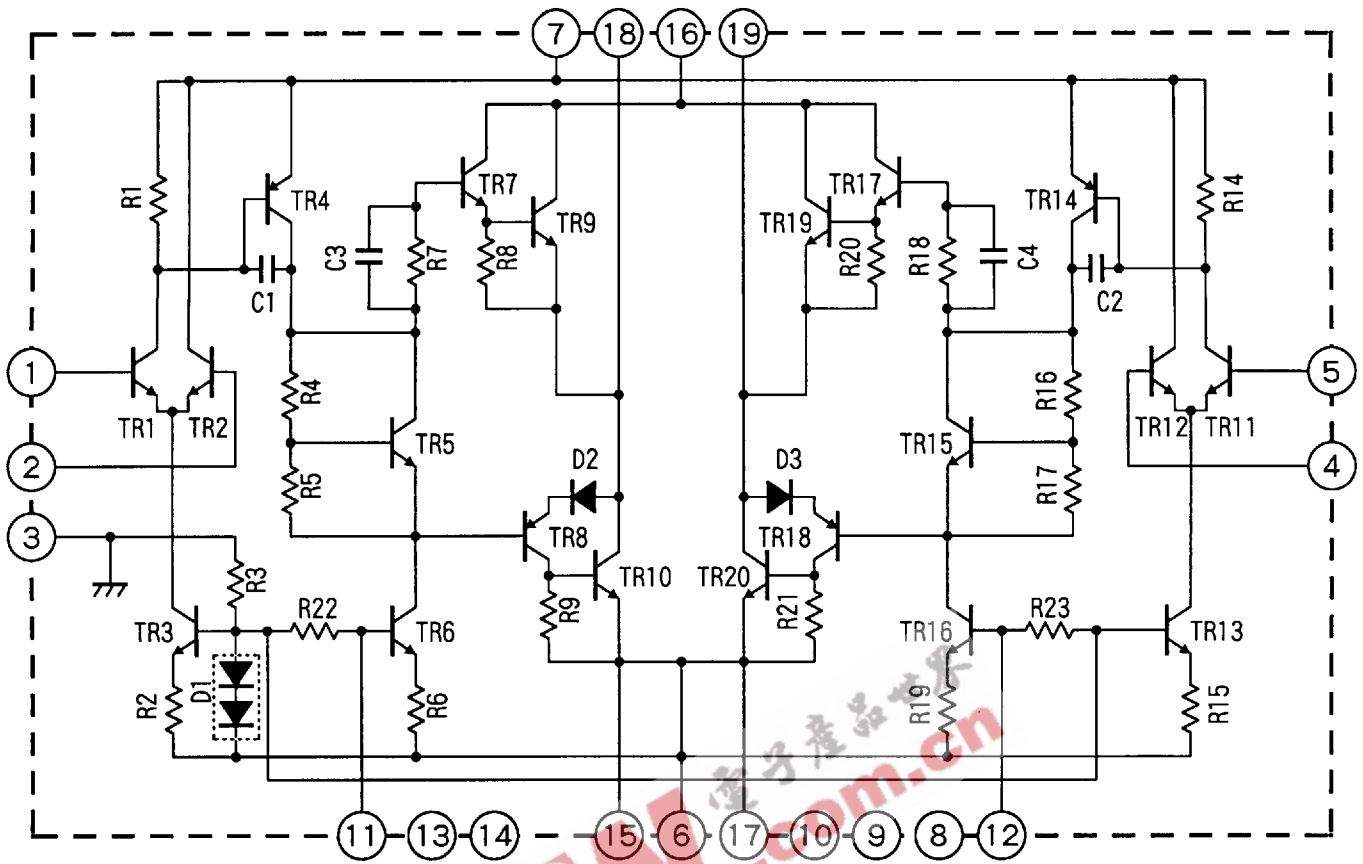
★THD = 0.4%

Model	Maximum Ratings 最大定格	Recommended Operating Conditions 推奨動作条件		Operating Characteristics (Recommend Operating Conditions at Test Circuit) 動作特性(Test Circuitにて 推奨動作条件による)			
	Vcc max (V)	Vcc (V)		Po max 1 RL=8 Ω f=20 \sim 20kHz (W)	THD (Vc=40dB) (%)	Po max 2 RL=4 Ω f=1kHz (W)	THD (Vc=40dB) (%)
		RL=8 Ω	RL=4 Ω				
STK4100MK2	± 20.5	± 13.5	± 12.0	6 + 6	0.4	6 + 6	1.0
STK4110MK2	± 26.0	± 17.0	± 14.0	10 + 10	0.4	10 + 10	1.0
STK4120MK2	± 30.5	± 21.0	± 17.0	15 + 15	0.4	15 + 15	1.0
*STK4130MK2	± 34.5	± 23.0	± 20.0	20 + 20	0.4	20 + 20	1.0
*STK4140MK2	± 40.0	± 27.0	± 22.0	25 + 25	0.4	25 + 25	1.0
*STK4150MK2	± 42.0	± 28.0	± 25.0	30 + 30	0.4	35 + 35	1.0
*STK4160MK2	± 45.0	± 30.5	± 26.5	35 + 35	0.4	40 + 40	1.0
STK4170MK2	± 48.0	± 32.0	± 28.0	40 + 40	0.4	45 + 45	1.0
STK4180MK2	± 50.0	± 33.5	± 30.0	45 + 45	0.4	50 + 50	1.0
STK4190MK2	± 52.5	± 35.0	± 32.0	50 + 50	0.4	55 + 55	1.0
STK4200MK2	± 55.0	± 38.0	-	60 + 60	0.4	-	-
STK4210MK2	± 60.0	± 42.0	-	70 + 70	0.4	-	-
STK4220MK2	± 65.0	± 45.0	-	80 + 80	0.4	-	-
STK4230MK2	± 75.0	± 51.0	-	100 + 100	0.4	-	-

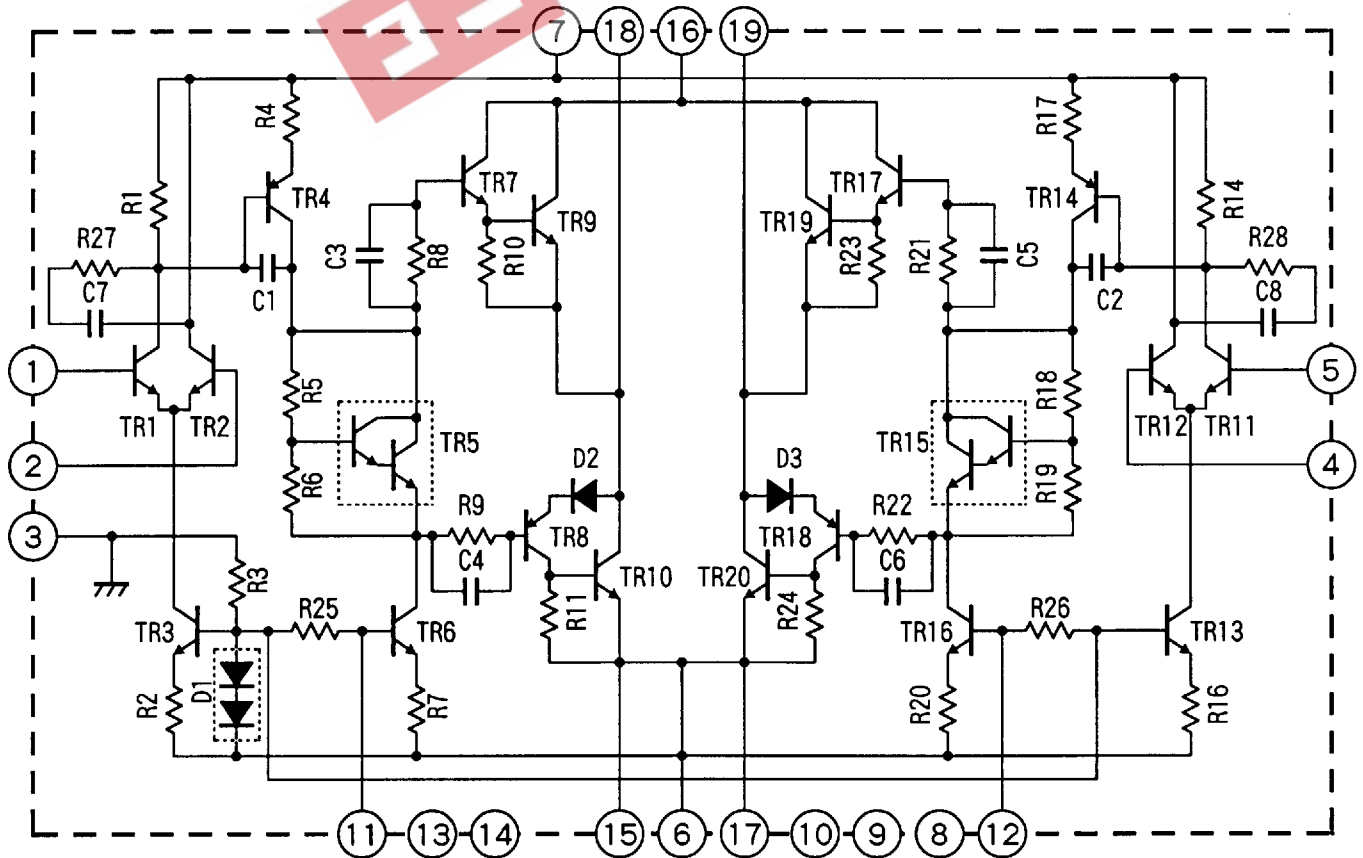
* Under mass production

■ Equivalent Circuit

① STK4100MK2 ~ STK4190MK2

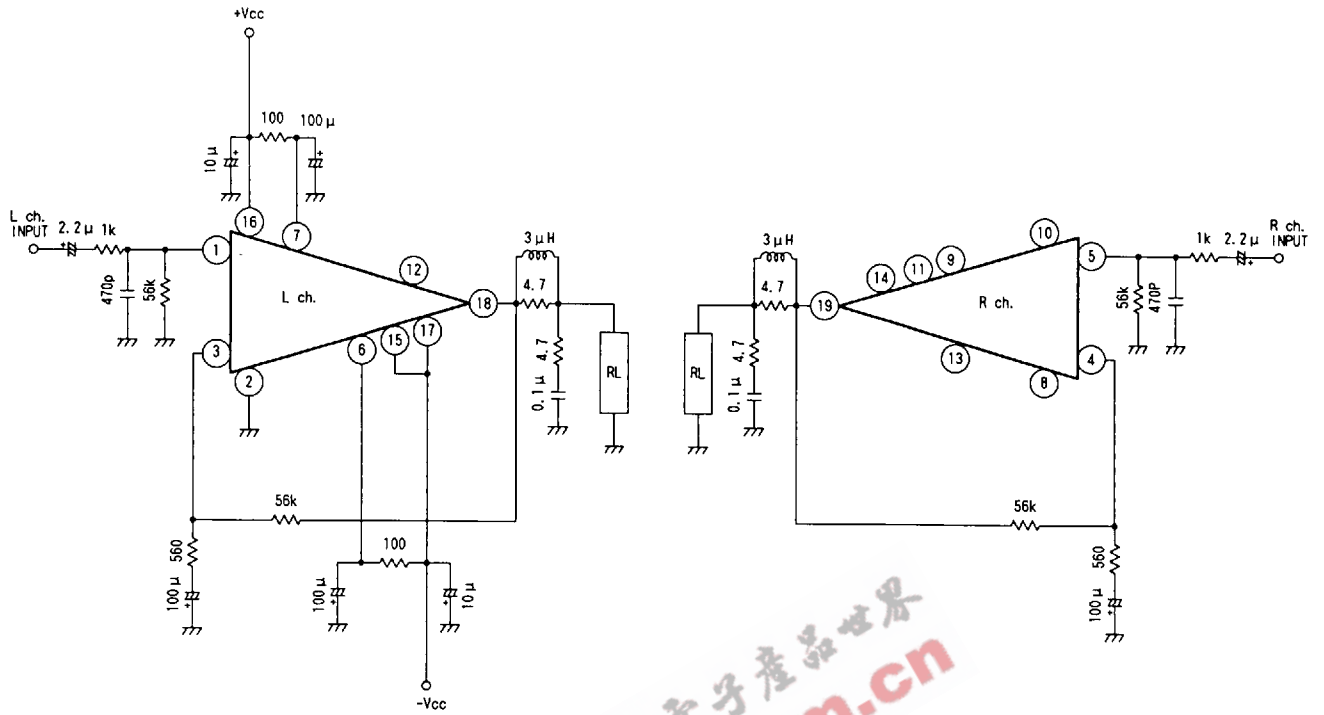


② STK4200MK2 ~ STK4230MK2

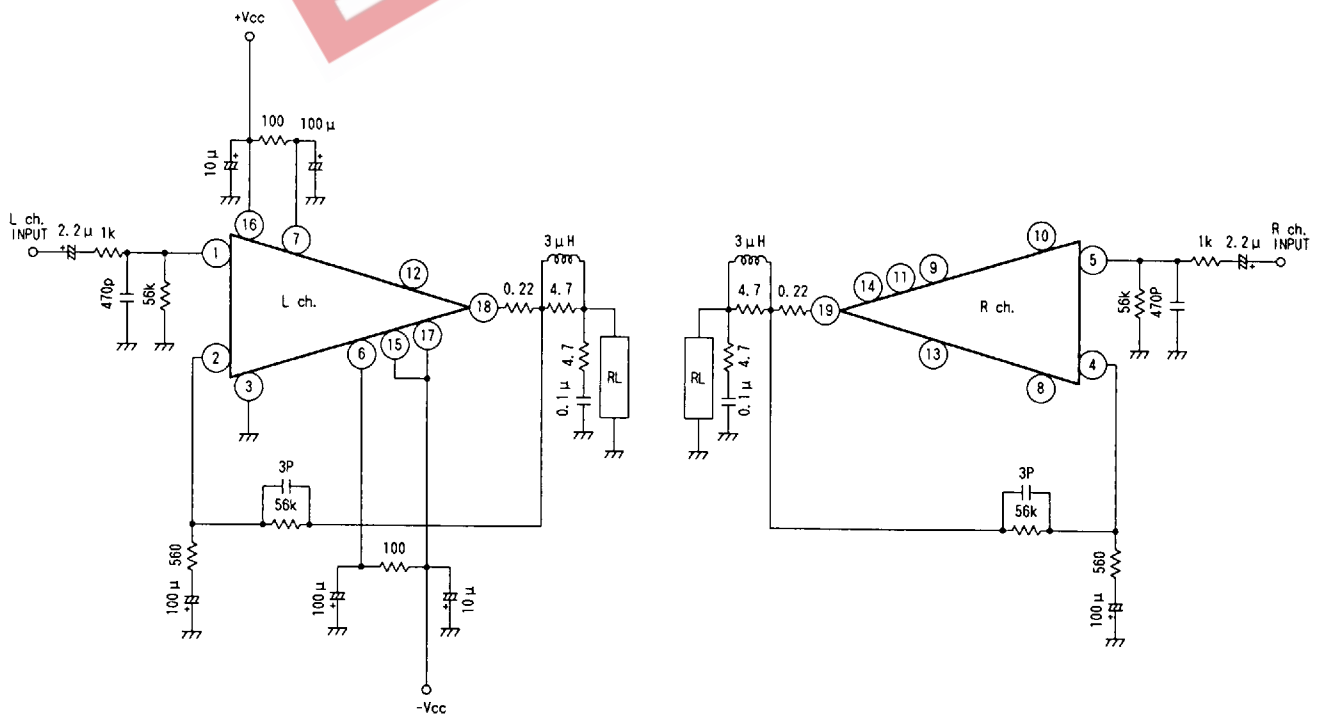


■ Test Circuit

④ STK4100MK2 ~ STK4190MK2

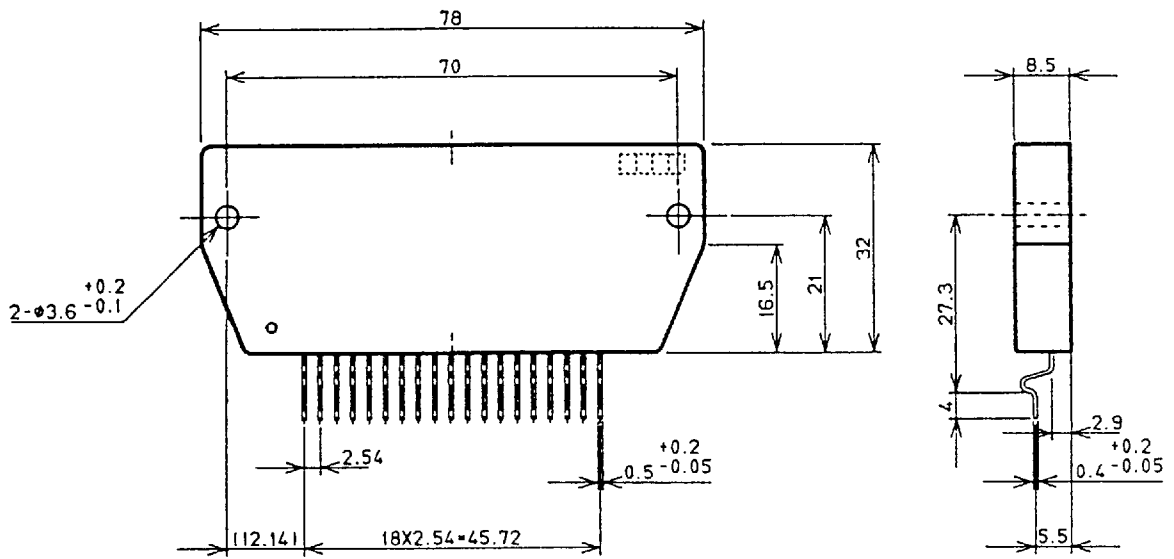


⑤ STK4200MK2 ~ STK4230MK2



■ Case Outline

① STK4100MK2 ~ STK4190MK2



② STK4200MK2 ~ STK4230MK2

