



SERIES ST1510

0-5 Vdc FLUSH DIAPHRAGM PRESSURE TRANSDUCER

DESCRIPTION

The STI Series ST1510 is a small, accurate, reliable flush diaphragm pressure transducer for measuring dynamic and static pressures. Available in absolute, sealed gage, or true gage zero pressure reference, the unit is entirely welded of stainless steel. Features of design include long term stability, low sensitivity to shock and vibration, wide temperature range, excellent response to transient pressures, infinite resolution and built in over-pressure protection.

SPECIFICATIONS

MECHANICAL CHARACTERISTICS

Standard Ranges: 0 - 3, 5, 10, 15, 25, 30, 50, 75, 100, 200, 500, 750, 1000, 1500 PSIA / PSIG. Special ranges available.

Proof Pressure: 3 - 200 PSI ranges: 500 PSI.
500 PSI range and up: 1.5 times range.

Burst Pressure: 3 times range or 1500 PSI whichever is greater.

Operating Media: Fluids and gases compatible with 316 stainless steel.

Mounting: 1.25" flange mountable.
1 1/4" NPT male mounting available.

Weight: 4.5 ounces.

Resolution: Infinite.

Electrical Receptacle: Stainless steel hermetic to mate with a PT06-10-6S (MS3116-10-6S).

Wiring: Excitation +A, -D; Signal +B, -C; No connection E, F. (Shunt avail.)

ENVIRONMENTAL CHARACTERISTICS

Compensated Temp. Range: -30°F to +170°F.

Operating Temp. Range: -65°F to +250°F.

Natural Freq: 1.0 kHz at 3 PSI to 25 kHz at 1500 PSI.

Enclosure: Body and pressure cavity of stainless steel, hermetically sealed.

ELECTRICAL CHARACTERISTICS

Excitation: 22-35 Vdc unregulated at less than 30 mA. 10 Vdc excitation available.

Zero Balance: $0.00 \pm 1\%$ FS at 70°F.

Full Scale Output: 5.00 ± 0.050 Vdc at 70°F.
(10.0 ± 0.050 Vdc optional.)

Static Accuracy: $\pm 0.15\%$ FS.

Therm. Zero Shift: Less than $\pm 0.005\%$ FS/°F typical.

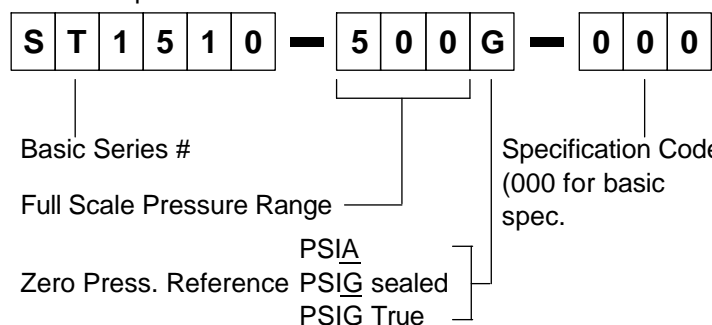
Therm. Sens. Shift: Less than $\pm 0.005\%$ FS/°F typical.

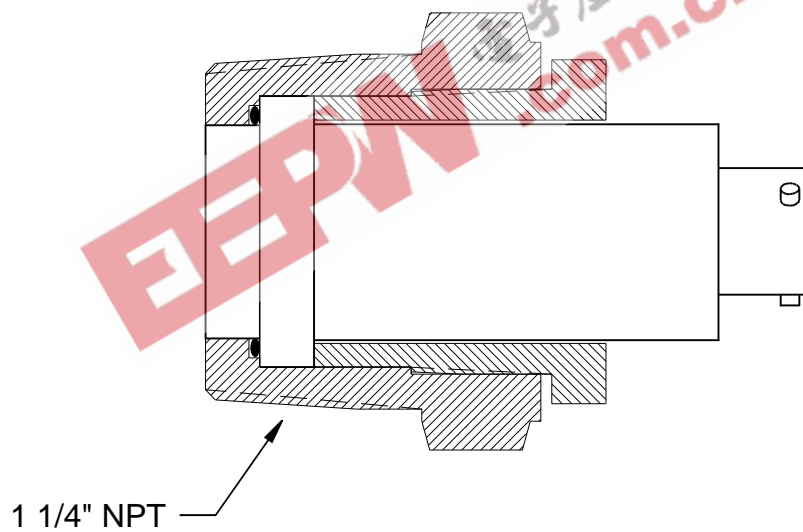
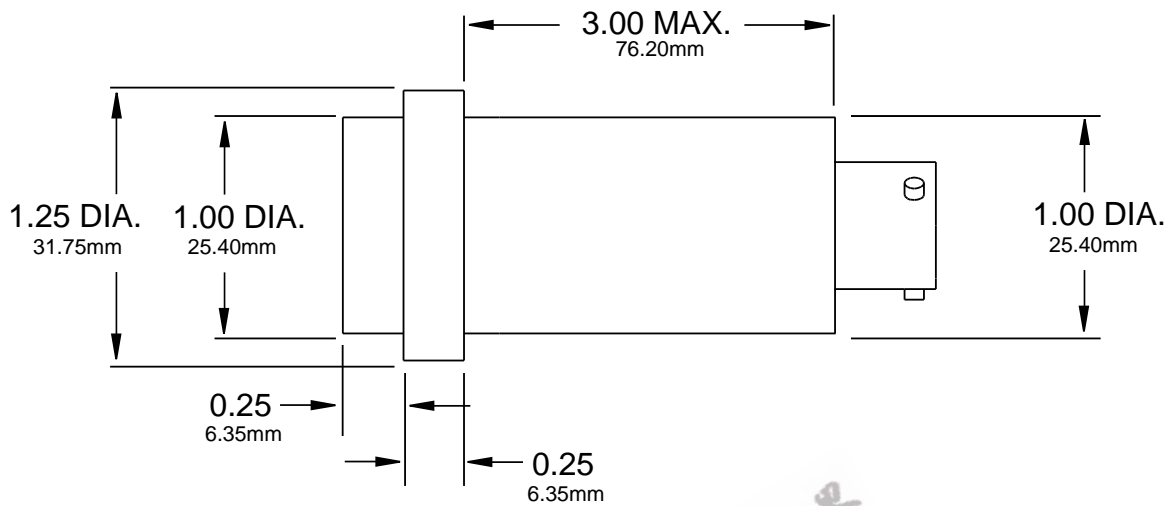
Insulation/Isolation Resistance: Greater than 100 megohms at 50 Vdc at 70°F.

ORDERING INFORMATION

To order, specify the series number (ST1510), the desired pressure range, and the three digit specification number signifying the performance and configuration parameters. Options are available. Please contact your local representative or the factory.

For Example:





MOUNTING CONFIGURATION

STI **STELLAR TECHNOLOGY**
INCORPORATED

2225 KENMORE AVE • SUITE 110 • BUFFALO, NEW YORK 14207 • U.S.A. • (716) 875-0279

SERIES ST1510 PRESSURE
TRANSDUCER

BULLETIN NO. B940047

SCALE: N/A

Stellar Technology's policy is to conduct on-going product improvements; therefore, specifications may change without notice.