

SM101 THRU SM107

CURRENT 1.0 Ampere
VOLTAGE 50 to 1000 Volts

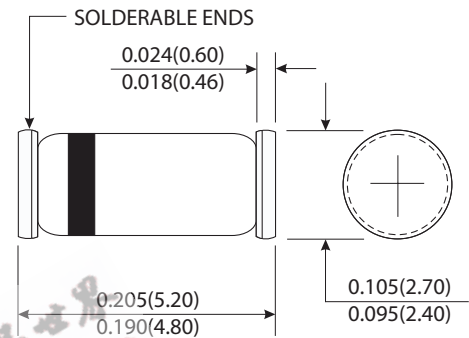
Features

- The plastic package carries Underwrites Laboratory Flammability Classification 94V-0
- For surface mounted applications
- Glass passivated junction
- High temperature soldering guaranteed: 250°C/10 seconds, at terminals

Mechanical Data

- Case : JEDEC MELF(DO-41) molded plastic body
- Terminals : Lead solderable per MIL-STD-750, method 2026
- Polarity : Color band denotes cathode end
- Mounting Position : Any
- Weight : 0.0041 ounce, 0.116 gram

MELF (DO-41)



Maximum Ratings And Electrical Characteristics

(Ratings at 25°C ambient temperature unless otherwise specified, Single phase, half wave 60Hz, resistive or inductive load. For capacitive load, derate by 20%)

	Symbols	SM101	SM102	SM103	SM104	SM105	SM106	SM107	Units
Maximum recurrent peak reverse voltage	V _{RRM}	50	100	200	400	600	800	1000	Volts
Maximum RMS voltage	V _{RMS}	35	70	140	280	420	560	700	Volts
Maximum DC blocking voltage	V _{DC}	50	100	200	400	600	800	1000	Volts
Maximum average forward rectified current 0.375"(9.5mm) lead length at T _A =55°C	I _(AV)	1.0							Amp
Peak forward surge current 8.3ms half sine wave superimposed on rated load (JEDEC method)	I _{FSM}	30.0							Amps
Maximum instantaneous forward voltage at 1.0A	V _F	1.3							Volts
Maximum DC reverse current at rated DC blocking voltage	I _R	50							µA
		100							
Maximum reverse recovery time (Note 1)	t _{rr}	150			250	500		ns	
Typical thermal resistance (Note 2)	R _{θJA}	5.0							°C/W
Operating and storage temperature range	T _J T _{STG}	-55 to +175							°C

Notes:

- (1) Reverse recovery time test condition : I_F=0.5A, I_R=1.0A, I_{RR}=0.25A
- (2) Measured at 1MHz and applied reverse voltage of 4.0V DC.

RATINGS AND CHARACTERISTIC CURVES SM101 THRU SM107

FIG.1-TYPICAL FORWARD CHARACTERISTICS

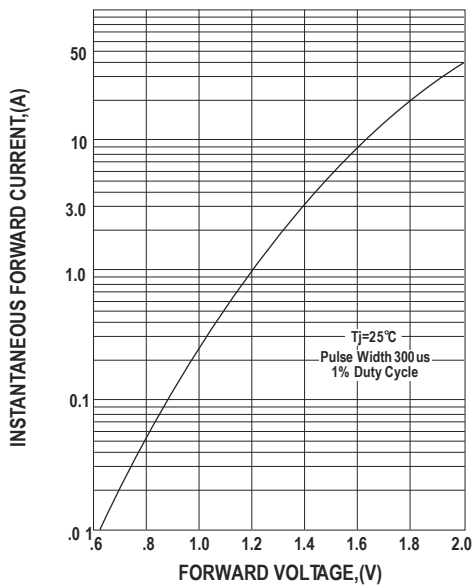


FIG.2-TYPICAL FORWARD CURRENT DERATING CURVE

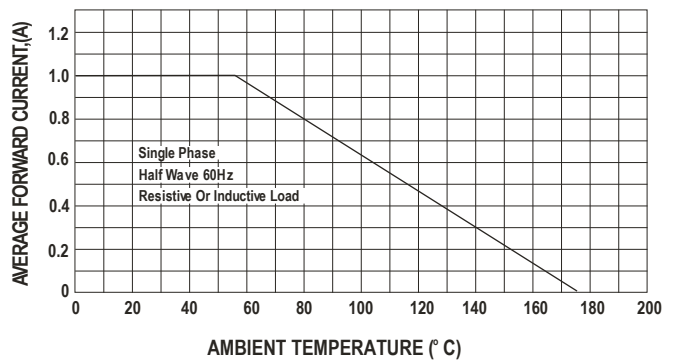
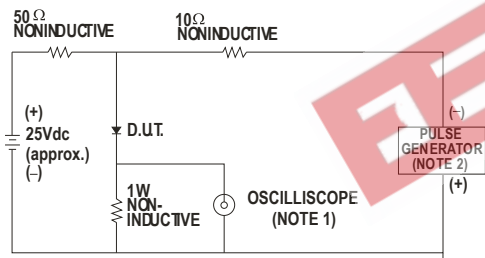


FIG.3- TEST CIRCUIT DIAGRAM AND REVERSE RECOVERY TIME CHARACTERISTICS



NOTES: 1. Rise Time= 7ns max., Input Impedance= 1 megohm.22pF.
2. Rise Time= 10ns max., Source Impedance= 50 ohms.

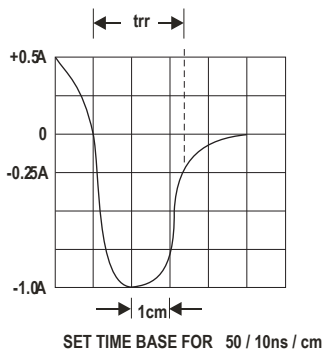


FIG.4-MAXIMUM NON-REPETITIVE FORWARDSURGE CURRENT

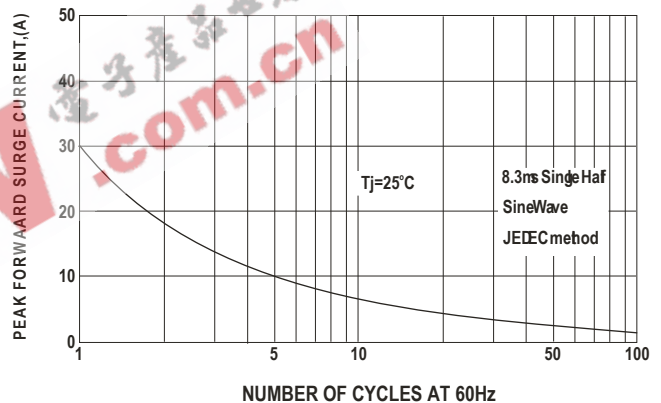


FIG.5-TYPICAL JUNCTION CAPACITANCE

