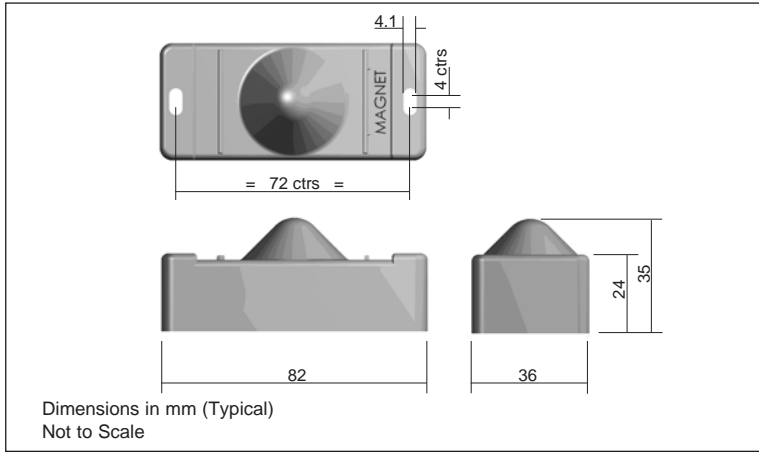
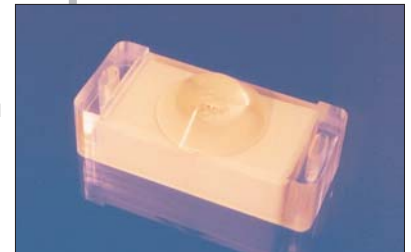


● LED Safety Lighting - VESTA



- High visibility and attention-grabbing performance
- No external electrical connections or sparking hazard
- Simple fitting
- Minimal purchase and operating costs
- The latest LED technology.



016 SERIES

MLQ = 20



Ordering Information & Typical Technical Characteristics (Ta = 25°C)

Operating Duration: 12 months continuous use from activation. Luminous intensity figures refer to the unmodified discrete LED.

PART NUMBER	COLOUR	LENS	VOLTAGE AC/DC Vopr	CURRENT AC/DC Iopr (average)	LUMINOUS INTENSITY Iv@10mA	WAVE LENGTH λp	VIEWING ANGLE	OPERATING TEMP Topr	STORAGE TEMP Tstg
HIGH INTENSITY									
016-501-00-50	Red	Water Clear	Battery	300	2750	660	360	-30 ~ +65	-30 ~ +65
016-521-00-50	Yellow		Battery	300	4500	590			
016-532-00-50	Green		Battery	300	6000	525			
016-930-00-50	Blue		Battery	300	2000	470			
016-997-00-50	White		Battery	300	3000	*			
UNITS			Battery	μA	mcd	nm		°C	°C

* Typical emission colour: x = 0.31, y = 0.32. Colour temperature 8000K.
 Intensities (Iv) and colour shades of white (x,y co-ordinates) may vary between LEDs within a batch.