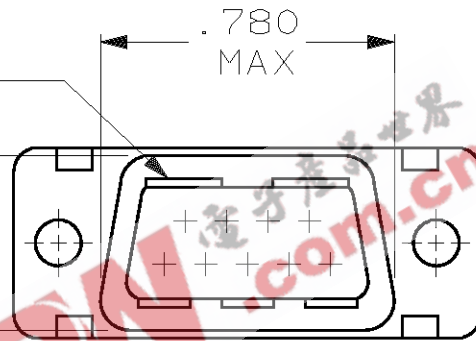


5 SLOTS TO ATTACH AND ORIENT SHIELDS



- ① PLUG CONNECTOR FULLY LOADED WITH CONTACTS. ALL OTHER PARTS SHIPPED UNASSEMBLED (EACH PART INDIVIDUALLY B...
- ② NUMBER ON CONTACT INDICATES WIRE RANGE.
- ③ SHIELDS: MATERIAL-.020 THICK STEEL, TIN PLATED.
- ④ CONTACTS PLATED GOLD PLATED FOR LENGTH OF .150 MIN .000030 MIN GOLD IN MATED AREA. .000100-.000200 BRIGHT TIN IN TIN-LEAD IN WIRE TERMINATION AREA. .000050 NICKEL ENTIRE CONTACT.
- ⑤ CONTACTS PLATED GOLD PLATED FOR LENGTH OF .150 MIN GOLD FLASH IN MATED AREA. .000100-.000200 BRIGHT TIN IN TIN-LEAD IN WIRE TERMINATION AREA. .000030 NICKEL ENTIRE CONTACT.
- ⑥ RAISED CAVITY IDENTIFICATION AND AMP TRADEMARK.