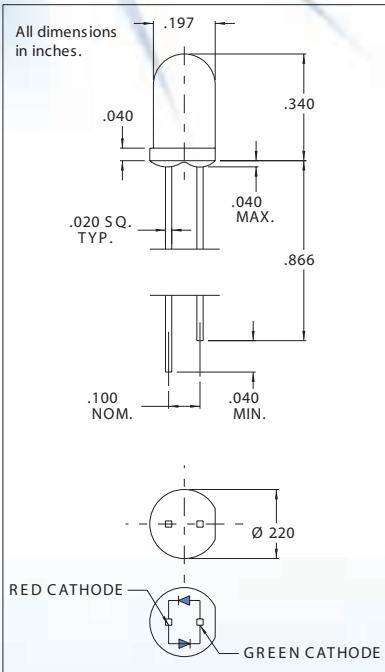


WORLDWIDE



**4301H1/5 Series Solid State LED Lamps-High Brite Bi-Color T-1 3/4 (5mm)**

**DESCRIPTION AND FEATURES**



**T-1 3/4 Dual Color LED**

- Provides red and green in the same two lead packages.
- Chips are brightness matched-green and red light is uniform.

**ELECTRO-OPTICAL CHARACTERISTICS AND RATINGS**

PART NUMBER	4301H1/5
Output Color	Red/Green
Diffusion	Diffused
Package Color	Clear
Rated Current (mA)	10
Forward Voltage Typ. (V)	2.2
Forward Voltage Max. (V)	2.8
Luminous Intensity Min. (mcd)	3
Luminous Intensity Typ. (mcd)	6
Luminous Intensity Max. (mcd)	-
Peak Wavelength (nm)	650/568
Viewing Angle 2θ 1/2 (degrees)	50
Power Dissipation (mW)	115
Continuous Forward Current Max. (mA)	25
Peak Forward Current @ 1ms-300 PPS (A)	.06
Reverse Breakdown Voltage Min. (V)	-



America:  
CML Innovative Technologies, Inc.  
147 Central Avenue  
Hackensack -NJ 07601 -USA  
Tel:1-201-489 -8989  
Fax:1-201-489 -6911  
e-mail:americas@cml-it.com

Europe:  
CML Technologies GmbH &Co.KG  
Robert-Bunsen-Str.1  
67098 Bad Dürkheim -GERMANY  
Tel:+49 (0)6322 9567-0  
Fax:+49 (0)6322 9567-88  
e-mail:europe@cml-it.com

Asia:  
CML Innovative Technologies, Inc.  
61 Aida Street  
Singapore 459975  
Tel:(65)9630 -5003  
e-mail:asia@cml-it.com

EPW.com.cn 电子产品世界