



EVERLIGHT ELECTRONICS CO.,LTD.

Device Number : DLE-020-065 REV: 2.1

3mm Round Standard LEDs, T-1

MODEL NO : 204GT ECN : _____ Page: 1/4

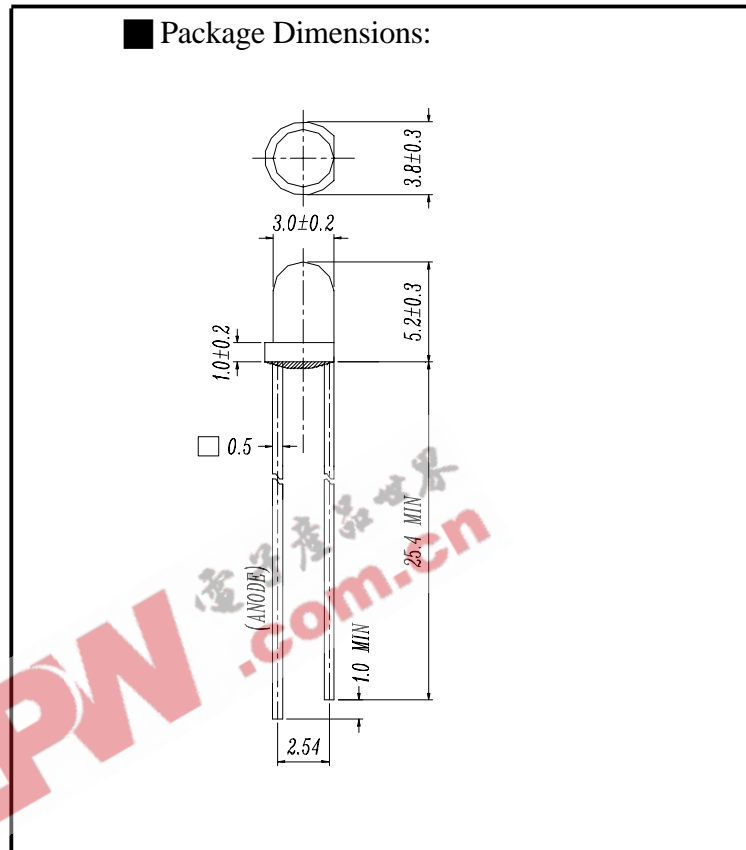
■ Features :

- High luminous power.
- Can be driven at low current.
- 2.54mm lead spacing.
- Available on tape and reel.

■ Descriptions :

- The series is specially designed for applications require higher brightness than that achievable with standard lamp.
- The LED lamps are available with different colors,intensities, epoxy colors, etc.

■ Package Dimensions:



■ Applications :

- TV Set
- Monitor
- Telephone
- Computer

■ Notes :

- 1.All dimensions are in millimeters.
- 2.An epoxy meniscus may extend about 1.5mm(0.059") down to the lead.

PART NO	Chip		Lens Color
	Material	Emitted Color	
204GT	GaP	Green	Green Trans

OFFICE : NO. 25,Lane 76,Sec.3, Chung Yang Rd., Tucheng 236, Taipei, Taiwan, R.O.C.

TEL : 886-2-2267-2000,2267-9936

FAX : 886-2-2267-6244,22676189,22676306

<http://www.everlight.com>



3mm Round Standard LEDs, T-1

■ Typical Electro-Optical Characteristic Curves

