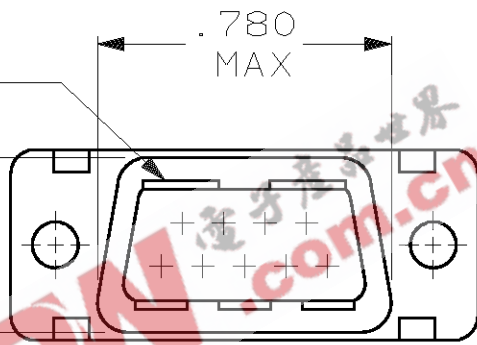


5 SLOTS TO ATTACH AND ORIENT SHIELDS



1 PLUG CONNECTOR FULLY LOADED WITH CONTACTS. ALL OTHER PARTS SHIPPED UNASSEMBLED (EACH PART INDIVIDUALLY B...



2 NUMBER ON CONTACT INDICATES WIRE RANGE.



3 SHIELDS: MATERIAL-.020 THICK STEEL, TIN PLATED.



4 CONTACTS PLATED GOLD PLATED FOR LENGTH OF .150 MIN .000030 MIN GOLD IN MATED AREA. .000100-.000200 BRIG IN TIN-LEAD IN WIRE TERMINATION AREA. .000050 NICKED ENTIRE CONTACT.



5 CONTACTS PLATED GOLD PLATED FOR LENGTH OF .150 MIN GOLD FLASH IN MATED AREA. .000100-.000200 BRIGHT TI IN TIN-LEAD IN WIRE TERMINATION AREA. .000030 NICKED ENTIRE CONTACT.



6 RAISED CAVITY IDENTIFICATION AND AMP TRADEMARK.