

1.8V LVCMOS Surface Mount Crystal Clock Oscillator 6211, 6221, 6231



2111 Comprehensive Drive
Aurora, Illinois 60505
Phone: 630-851-4722
Fax: 630-851-5040
www.conwin.com

US Headquarters:
630-851-4722
European Headquarters:
+353-61-472221

XO

The Connor-Winfield models 6211, 6221, and 6231 are a 6 x 3.5mm, 1.8V LVCMOS, Ceramic, Surface Mount, Fixed Frequency Crystal Oscillators (XO) designed for use in all applications requiring precision clocks. The RoHS compliant, surface mount package is designed for high-density mounting and is optimum for mass production.

Features:

- 30 to 70 MHz
- 1.8V Operation
- RoHS Compliant
- Tri-State Enable / Disable Function
- Overall Frequency Tolerance:
 - 6211 ± 25 ppm
 - 6221 ± 50 ppm
 - 6231 ± 100 ppm
- Temperature Range: -40 to 85°C
- Ceramic Surface Mount Package
- Tape and Reel Packaging

Absolute Maximum Ratings

| Parameter | Minimum | Nominal | Maximum | Units | Notes |
|----------------------|---------|---------|---------|-------|-------|
| Storage Temperature | -55 | - | 125 | °C | |
| Supply Voltage (Vcc) | -0.5 | - | 3.6 | Vdc | |

Operating Specifications

| Parameter | Minimum | Nominal | Maximum | Units | Notes |
|----------------------|---------|---------|---------|-------|-------|
| Frequency Range (Fo) | 30 | - | 70 | MHz | |
| Frequency Tolerance | | | | ppm | 1 |
| 6211 | -25 | - | 25 | | |
| 6221 | -50 | - | 50 | | |
| 6231 | -100 | - | 100 | | |
| Operating Temp Range | -40 | - | 85 | °C | |
| Supply Voltage (Vdd) | 1.71 | 1.8 | 1.89 | Vdc | |
| Supply Current (Icc) | - | - | 15 | mA | |

Input Characteristics

| Parameter | Minimum | Nominal | Maximum | Units | Notes |
|-------------------------|-----------|---------|-----------|-------|-------|
| Enable Voltage - (Vih) | ≥ 70% Vdd | - | - | Vdc | 2 |
| Disable Voltage - (Vil) | - | - | ≤ 30% Vdd | Vdc | |
| Enable Time | - | - | 100 | nS | |
| Disable Time | - | - | 100 | nS | |

LVCMOS Output Characteristics

| Parameter | Minimum | Nominal | Maximum | Units | Notes |
|-----------------------------|---------|---------|---------|--------|-------|
| Load | - | - | 15 | pF | |
| Voltage High (Voh) | 1.54 | - | - | Vdc | |
| Low (Vol) | - | - | 0.19 | Vdc | |
| Current High (Ioh) | -2 | - | - | mA | |
| Low (Iol) | - | - | 2 | mA | |
| Duty Cycle at 50% of Vcc | 40 | 50 | 60 | % | |
| Rise / Fall Time 10% to 90% | - | - | 3.5 | nS | |
| Start-Up Time | - | - | 10 | mS | |
| Jitter | - | - | 5 | pS RMS | |

Notes:

1. Inclusive of calibration @ 25°C, frequency vs temperature stability, supply voltage change, load change, shock and vibration, 10 years aging.
2. Oscillator output is enabled with no connection on pad 1



Bulletin **Sm085**
Page **1 of 2**
Revision **01**
Date **30 May 2002**



Package Characteristics

Package Hermetically sealed ceramic package and metal cover

Environmental Characteristics

Temperature Cycle The specimen shall meet electrical characteristics after tested 5 cycles of -55°C / 30 minutes and +125°C / 30 minutes

Hermetical No bubbles appear in Flourinert (FC-43) at 125°C ±5°C for 5 minutes

Solvent Resistance Marking will withstand immersion in Isopropyl Alcohol or Trichloroethylene

Soldering

General Conditions 260°C max x 10 sec max x 2 times max or 230°C max x 180 sec max x 1 time

Typical Operation Data (Vapor phase reflow)
20 to 100 sec up to 215°C, 50 sec at 215°C, then down to room temperature per 1 to 5°C / sec

Mechanical Characteristics

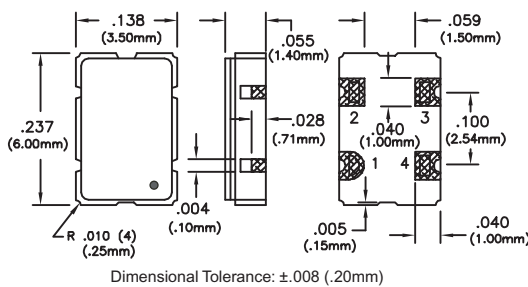
Free Drop The specimen shall meet electrical characteristics after tested 3 times, Free Drop testing on the hard wooden board from a height of 75 cm.

Vibration The specimen shall meet electrical characteristics after tested by the following conditions: 10-55Hz 1.5mm Amplitude, 55-2000 Hz 20 G's, 2 hours for each plane

Thermal Shock After applied Thermal Shock of 260°C max x 10 sec max x 2 times, or 230°C max x 180 sec max, the specimen shall meet electrical characteristics

Solderability (EIAJ-RCX-0102.101 Condition 1a)
1) Flux: MIL-F-14256 (WW Rosin=25%, Isopropyl Alcohol = 75%)
2) Solder: QQ-S-571 (Sn = 63%, Pb = 37%)
3) Solder bath temperature: 235°C ±5°C
4) Depth of immersion: Up to electrical terminal
5) Immersing time: Within 2 sec ±0.5 sec into solder bath

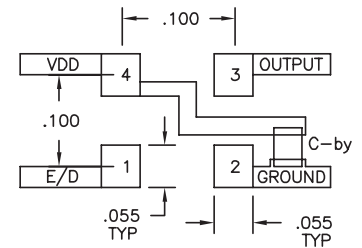
After performing the above procedures, a newly soldered coverage shall be greater than 90%



Pad Connection

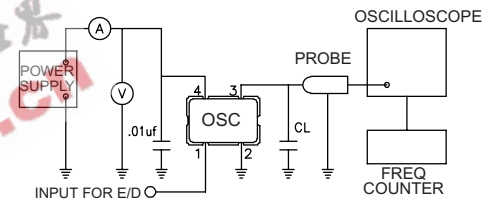
- 1: Tri-State E/D
- 2: Ground
- 3: Output
- 4: VDD

Suggested Pad Layout

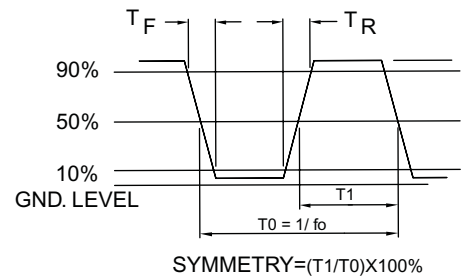


Bypass capacitor, C-by, should be ceramic capacitor ≥ .01uf.

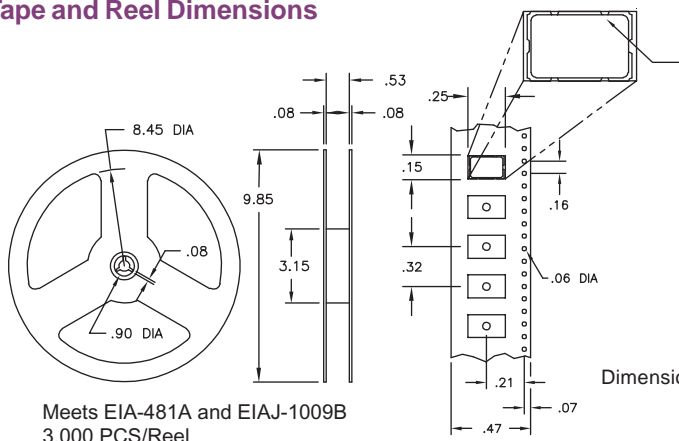
Test Circuit



Output Waveform



Tape and Reel Dimensions



Dimensional Tolerance: ±.02" (.508mm)
±.005" (.127mm)

Ordering Information

6211 - 50.00 MHz
CLOCK SERIES CENTER FREQUENCY

Bulletin **Sm085**
Page **2 of 2**
Revision **01**
Date **30 May 2002**