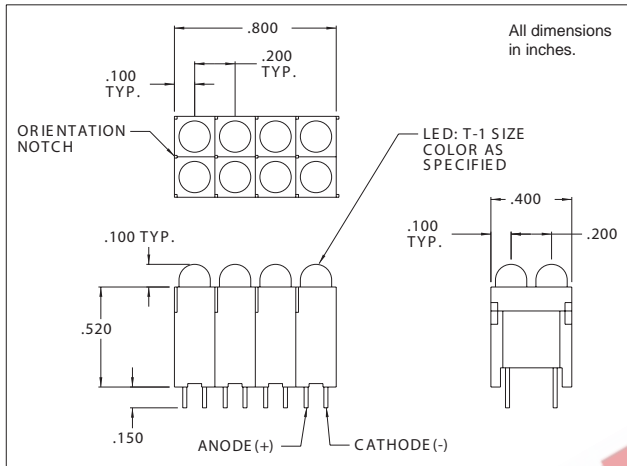




6322F Series Dual Mounted T-1 LED Block Assembly

DESCRIPTION AND FEATURES

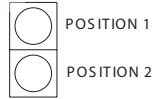


Features:

- Dual mounted T-1 LED mounting design assures height and side-by-side spacing alignment, saves assembly costs.
 - Blocks have interlock feature which allows for multi LED arrays.
 - Black plastic mounting block provides high contrast ratio.
 - High Brite and Super Brite light output.
 - Standoffs prevent flux entrapment.
 - Housing: Black Thermoplastic
 - Meets UL94V-O and Bellcore flammability specifications.
 - Mounting hole pattern on page 1-X6.
- Available options: Low current, 5 volt and 12 volt built-in resistors, bicolor and blue LEDs also offered. Call factory for ordering information.

Ordering information: Use chart below to determine model number.

	Red	Amber	Green	Yellow
LED	1	3	5	7



Model No. is as follows: 6322F Pos. 1 ; Pos. 2

Example: Position 1 is red, position 2 is yellow.
 The part number is 6322F17.

ELECTRO-OPTICAL CHARACTERISTICS AND RATINGS

Part Number	Emitted Color	Typical Intensity (mcd)	Rated Current (mA)	Continuous Forward Current Max. (mA)	Forward Voltage		Reverse Breakdown Voltage Min.(V)	Peak Wavelength (nm)
					Typ. (V)	Max. (V)		
6322F11	Red/Red	10.0	10	25	2.2	3.0	5.0	635
6322F33	Amber/Amber	6.5	10	25	2.2	3.0	5.0	602
6322F55	Green/Green	8.5	10	25	2.3	3.0	5.0	565
6322F77	Yellow/Yellow	10.0	10	25	2.2	3.0	5.0	583