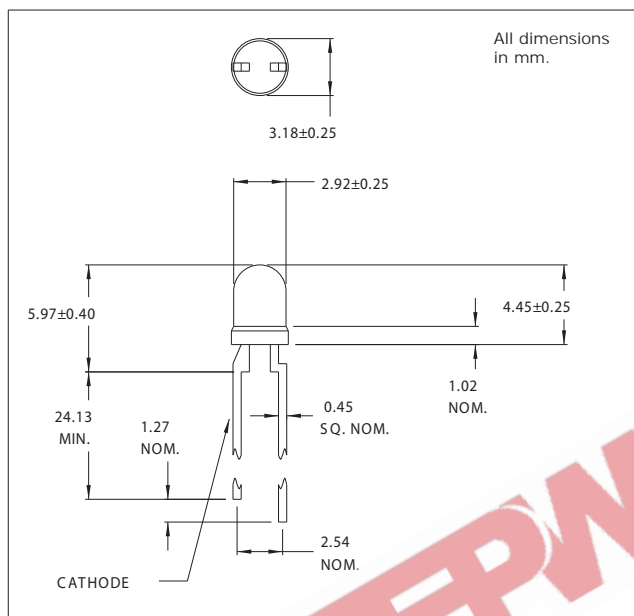




## 4318F Series Solid State LED Lamps-Super Brite T-1 (3mm)

### DESCRIPTION AND FEATURES



#### T-1 Super Brite LEDs

- High intensity light output.
- Ideal for high ambient light conditions.

### ELECTRO-OPTICAL CHARACTERISTICS AND RATINGS

PART NUMBER	4318F1	4318F5	4318F7
Output Color	Red	Green	Yellow
Diffusion	Non-Diffused	Non-Diffused	Non-Diffused
Package Color	Clear	Clear	Clear
Test Current (mA)	20	20	20
Forward Voltage Typ. (V)	1.8	2.3	2.2
Forward Voltage Max. (V)	2.2	3.0	3.0
Luminous Intensity Min. (mcd)	35	27	23
Luminous Intensity Typ. (mcd)	65	80	85
Luminous Intensity Max. (mcd)	-	-	-
Peak Wavelength (nm)	650	565	583
Viewing Angle 2θ 1/2 (degrees)	45	45	45
Power Dissipation (mW)	87	-	-
Operating Temperature (°C)	-20 to +100	-20 to +100	-55 to +100
Storage Temperature (°C)	-55 to +100	-55 to +100	-55 to +100
Peak Forward Current Max. (1µs @ 10% duty cycle) (mA)	300	90	60
Reverse Voltage (IR=100µA) (V)	5	5	5
Lead Solder Time @ 260°C	5	5	5