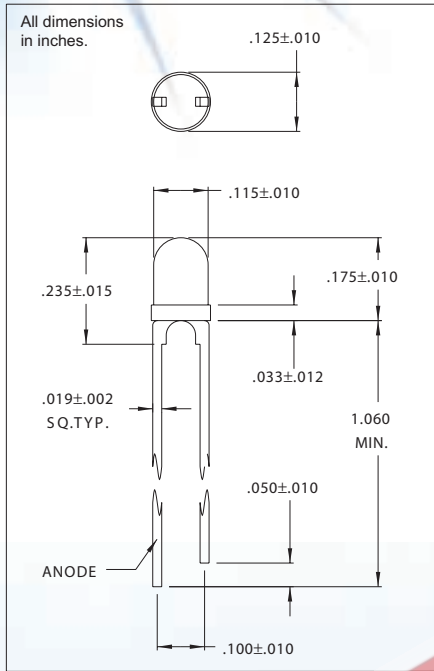


WORLDWIDE



4302F-5V, 4302F-12V Series Integrated Resistor 5 Volts 12 Volts T-1 (3mm)

DESCRIPTION AND FEATURES



- High brightness output
- Integral current limiting resistor
- TTL compatible requires no external current limiter with 5 volt or 12 volt supply.
- Wide viewing angle - 60°.

ELECTRO-OPTICAL CHARACTERISTICS AND RATINGS

PART NUMBER	4302F1-5V	4302F3-5V	4302F5-5V	4302F1-12V	4302F3-12V	4302F5-12V
Output Color	Red	Amber	Green	Red	Amber	Green
Diffusion	Diffused	Diffused	Diffused	Diffused	Diffused	Diffused
Package Color	Red	Amber	Green	Red	Amber	Green
Rated Current (mA)	10	10	10	13	13	13
Forward Voltage Typ. (V)	5	5	5	12	12	12
Forward Voltage Max. (V)	7.5	7.5	7.5	15	15	15
Luminous Intensity Min. (mcd)	2.0	2.0	2.0	2.0	2.0	2.0
Luminous Intensity Typ. (mcd)	8.0	8.0	8.0	8.0	8.0	8.0
Continuous Forward Current Max. (mA)	20	15	15	20	20	20
Peak Wavelength (nm)	635	583	565	635	583	565
Viewing Angle 2θ 1/2 (degrees)	60	60	60	60	60	60
Reverse Breakdown Voltage Min. (V)	5	5	5	5	5	5



America:
 CML Innovative Technologies, Inc.
 147 Central Avenue
 Hackensack -NJ 07601 -USA
 Tel:1-201-489 -8989
 Fax:1-201-489 -6911
 e-mail:americas@cml-it.com

Europe:
 CML Technologies GmbH & Co.KG
 Robert-Bunsen-Str.1
 67098 Bad Dürkheim -GERMANY
 Tel:+49 (0)6322 9567-0
 Fax:+49 (0)6322 9567-88
 e-mail:europe@cml-it.com

Asia:
 CML Innovative Technologies, Inc.
 61 Aida Street
 Singapore 459975
 Tel:(65)9630 -5003
 e-mail:asia@cml-it.com

4302F-5V, 4302F-12V Series Integrated Resistor 5 Volts 12 Volts T-1 (3mm)

