



**W**

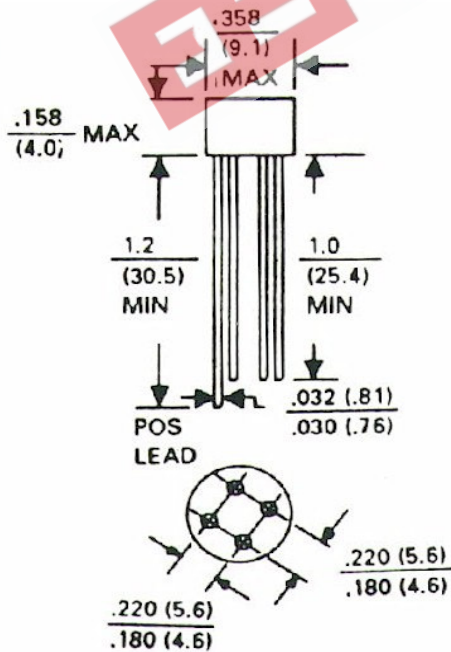
EDI Single-1 to 12 Amperes Commercial Grade Bridges

PRV/Leg	50V	100V	200V	400V	600V	800V	1000V
1W SERIES 1 Amp	1W005	1W1	1W2	1W4	1W6	1W8	1W10
W SERIES 1.5 Amp	W005	W1	W2	W4	W6	W8	W10
2W SERIES 2 Amp	2W005	2W1	2W2	2W4	2W6	2W8	2W10

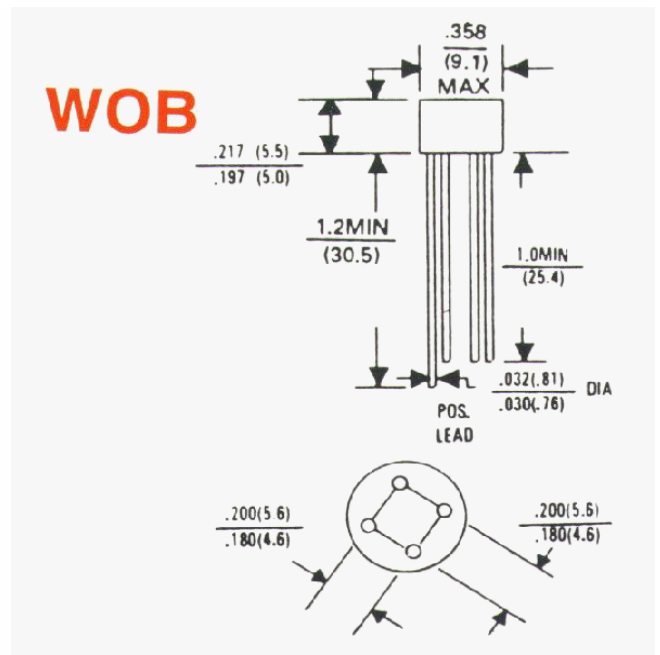
Electrical Characteristics	1W	W	2W	UNIT
at T <sub>A</sub> = 25° C Unless Otherwise Specified	Series	Series	Series	
Max. DC Reverse Current @ PRV I <sub>R</sub>	10	10	10	μA
Max Peak Surge Current, I <sub>FSM</sub> (8.3ms)	30	50	5030	Amp
Package Style	RB15	RB15	WOB	

**DIAGRAMS**

**RB15**



**WOB**



EDI reserves the right to change these specifications at any time without notice.

**ELECTRONIC DEVICES, INC.** DESIGNER AND MANUFACTURERS OF SOLID STATE DEVICES SINCE 1951.

- 21 GRAYOAKS AVENUE YONKERS, NEW YORK, 10710
- 914-965-4400
- 1-800-678-0828
- FAX: 914-965-5531
- e-mail: sales@EDIdiodes.com
- web site: www.EDIdiodes.com