

**LOW VOLTAGE (1.24V) ADJUSTABLE PRECISION SHUNT REGULATOR****AZ431L****General Description**

The AZ431L series ICs are low voltage three-terminal adjustable regulators with guaranteed thermal stability over a full operation range. These ICs feature sharp turn-on characteristics, low temperature coefficient and low output impedance, which make them ideal substitutes for Zener diodes in applications such as switching power supply, charger, motherboard and other adjustable regulators.

The output voltage can be set to any value between 1.24V and 18V with two external resistors.

The AZ431L precision reference is offered in two voltage tolerance: 0.5% and 1.0%.

These ICs are available in 4 packages: TO-92 (bulk or ammo packing), SOT-23, SOT-23-5, SOT-89-3.

**Features**

- Wide Programmable Precise Output Voltage from 1.24V to 18V
- High Stability under Capacitive Load
- Low Temperature Deviation: 3mV Typical
- Low Equivalent Full-range Temperature Coefficient: 20PPM/°C Typical
- Low Dynamic Output Resistance: 0.05Ω Typical
- High Sink Current Capacity from 0.1mA to 100mA
- Low Output Noise
- Wide Operating Range of -40 to 125°C

**Applications**

- Graphic Card
- PC Motherboard
- Voltage Adapter
- Switching Power Supply
- Charger

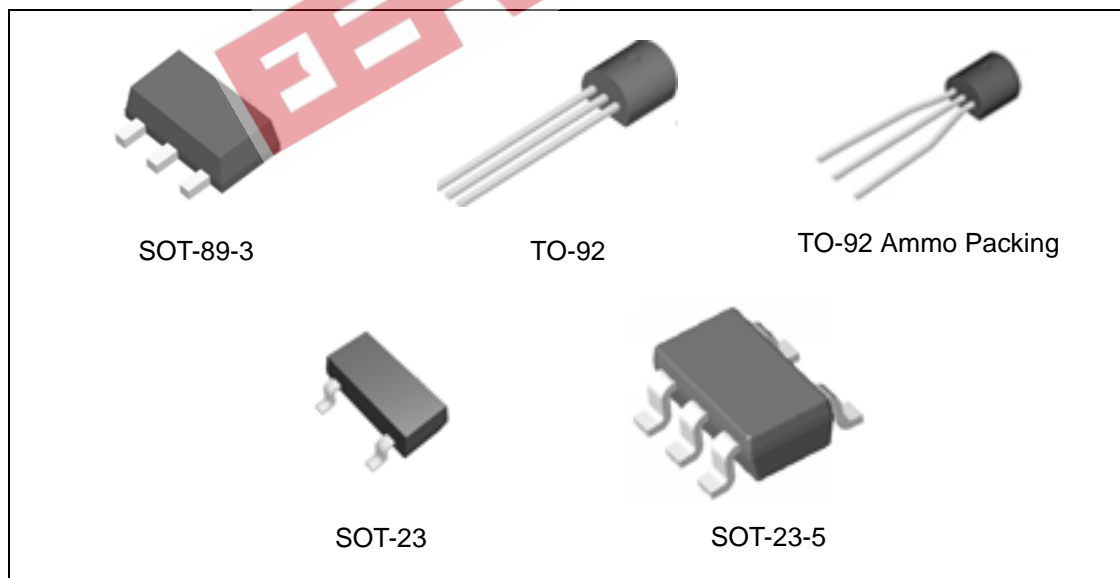


Figure 1. Package Types of AZ431L



**LOW VOLTAGE (1.24V) ADJUSTABLE PRECISION SHUNT REGULATOR**

**AZ431L**

**Pin Configuration**

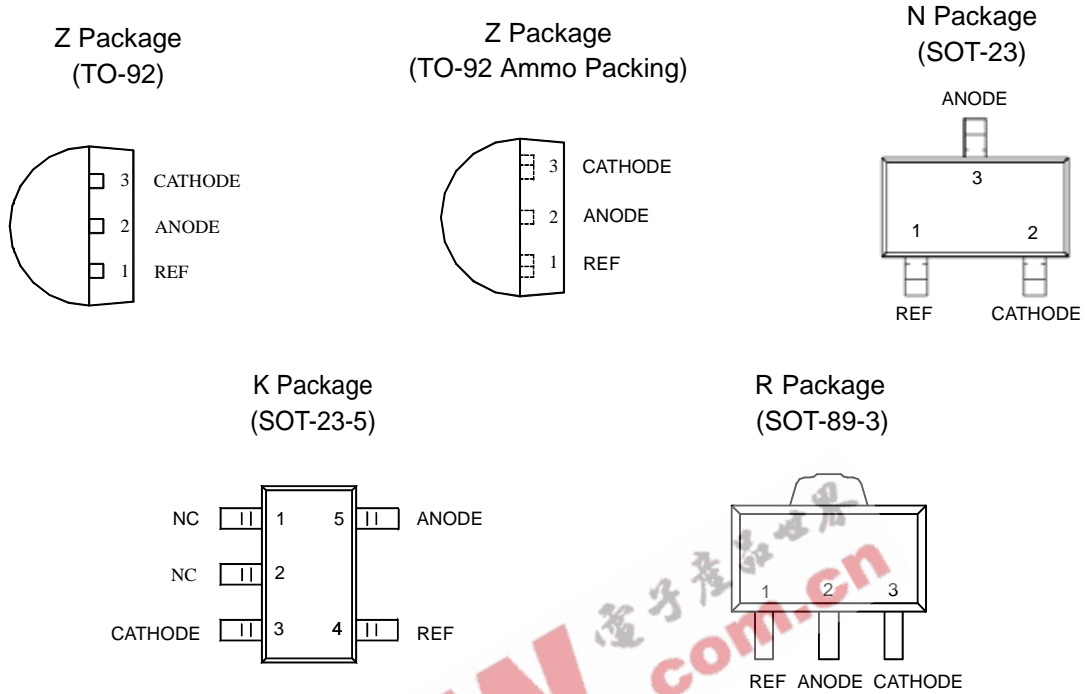


Figure 2. Pin Configuration of AZ431L (Top View)

**Functional Block Diagram**

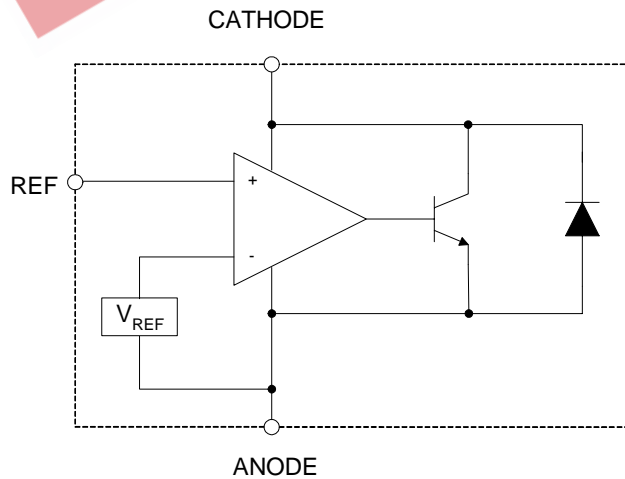


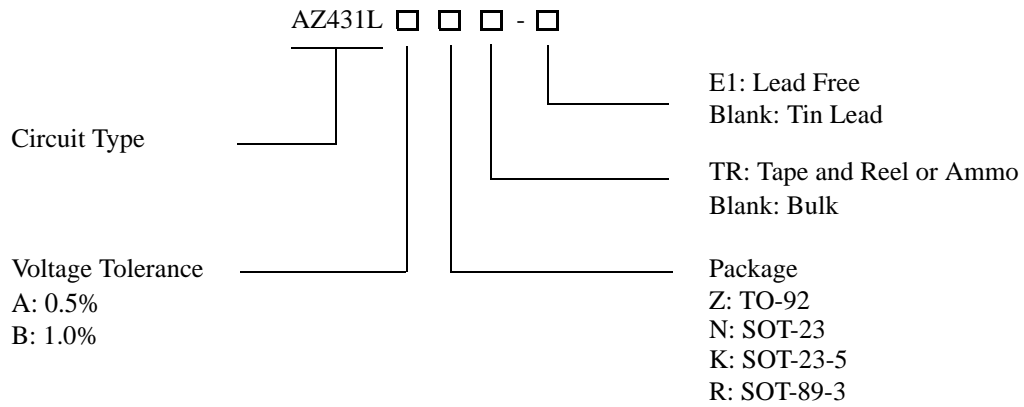
Figure 3. Functional Block Diagram of AZ431L



**LOW VOLTAGE (1.24V) ADJUSTABLE PRECISION SHUNT REGULATOR**

**AZ431L**

**Ordering Information**



Package	Temperature Range	Voltage Tolerance	Part Number		Marking ID		Packing Type
			Tin Lead	Lead Free	Tin Lead	Lead Free	
TO-92	-40 to 125°C	0.5%	AZ431LAZ	AZ431LAZ-E1	AZ431LAZ	AZ431LAZ-E1	Bulk
		0.5%	AZ431LAZTR	AZ431LAZTR-E1	AZ431LAZ	AZ431LAZ-E1	Ammo
		1.0%	AZ431LBZ	AZ431LBZ-E1	AZ431LBZ	AZ431LBZ-E1	Bulk
		1.0%	AZ431LBZTR	AZ431LBZTR-E1	AZ431LBZ	AZ431LBZ-E1	Ammo
SOT-23	-40 to 125°C	0.5%		AZ431LANTR-E1		EA6	Tape & Reel
		1.0%		AZ431LBNTR-E1		EA7	Tape & Reel
SOT-23-5	-40 to 125°C	0.5%	AZ431LAKTR	AZ431LAKTR-E1	K41	E5A	Tape & Reel
		1.0%	AZ431LBKTR	AZ431LBKTR-E1	K42	E6A	Tape & Reel
SOT-89-3	-40 to 125°C	0.5%	AZ431LARTR	AZ431LARTR-E1	R41A	E41A	Tape & Reel
		1.0%	AZ431LBRTR	AZ431LBRTR-E1	R41B	E41B	Tape & Reel

BCD Semiconductor's Pb-free products, as designated with "E1" suffix in the part number, are RoHS compliant.

**LOW VOLTAGE (1.24V) ADJUSTABLE PRECISION SHUNT REGULATOR****AZ431L****Absolute Maximum Ratings (Note 1)**

Parameter	Symbol	Value		Unit
Cathode Voltage	$V_{KA}$	20		V
Cathode Current Range (Continuous)	$I_{KA}$	-100 to 100		mA
Reference Input Current Range	$I_{REF}$	10		mA
Power Dissipation	$P_D$	Z, R Package	770	mW
		N, K Package	370	
Junction Temperature	$T_J$	150		°C
Storage Temperature Range	$T_{STG}$	-65 to 150		°C

Note 1: Stresses greater than those listed under "Absolute Maximum Ratings" may cause permanent damage to the device. These are stress ratings only, and functional operation of the device at these or any other conditions beyond those indicated under "Recommended Operating Conditions" is not implied. Exposure to "Absolute Maximum Ratings" for extended periods may affect device reliability.

**Recommended Operating Conditions**

Parameter	Symbol	Min	Max	Unit
Cathode Voltage	$V_{KA}$	$V_{REF}$	18	V
Cathode Current	$I_{KA}$	0.1	100	mA
Operating Ambient Temperature Range		-40	125	°C



**LOW VOLTAGE (1.24V) ADJUSTABLE PRECISION SHUNT REGULATOR**

**AZ431L**

**Electrical Characteristics**

(Operating Conditions:  $T_A=25^{\circ}\text{C}$ , unless otherwise noted.)

Parameter	Test Circuit	Symbol	Conditions	Min	Typ	Max	Unit
Reference Voltage	0.5%	4	$V_{KA}=V_{REF}, I_{KA}=10\text{mA}$	1.234	1.240	1.246	V
	1.0%			1.228	1.240	1.252	
Deviation of Reference Voltage Over Full Temperature Range	4	$\Delta V_{REF}$	$V_{KA}=V_{REF}, I_{KA}=10\text{mA}$	$0^{\circ}\text{C}$ to $70^{\circ}\text{C}$	2	10	mV
				$-40^{\circ}\text{C}$ to $85^{\circ}\text{C}$	3	10	
				$-40^{\circ}\text{C}$ to $125^{\circ}\text{C}$	4	15	
Ratio of Change in $V_{REF}$ to the Change in Cathode Voltage	5	$\frac{\Delta V_{REF}}{\Delta V_{KA}}$	$I_{KA}=10\text{mA}, \Delta V_{KA}:V_{REF}$ to 16V		-0.5	-1.5	mV/V
Reference Input Current	5	$I_{REF}$	$I_{KA}=10\text{mA}, R1=10\text{K}\Omega, R2=\infty$		0.15	0.4	$\mu\text{A}$
Deviation of Reference Current Over Full Temperature Range	5	$\Delta I_{REF}$	$I_{KA}=10\text{mA}, R1=10\text{K}\Omega, R2=\infty, T_A=-40$ to $125^{\circ}\text{C}$		0.1	0.4	$\mu\text{A}$
Minimum Cathode Current for Regulation	4	$I_{KA}$ (Min)	$V_{KA}=V_{REF}$		55	80	$\mu\text{A}$
Off-state Cathode Current	6	$I_{KA}$ (Off)	$V_{REF}=0, V_{KA}=18\text{V}$		0.04	0.10	$\mu\text{A}$
			$V_{KA}=6, V_{REF}=0$		0.01	0.05	
Dynamic Impedance	4	$Z_{KA}$	$V_{KA}=V_{REF}, I_{KA}=1$ to $100\text{mA}$ $f \leq 1.0\text{kHz}$		0.05	0.15	$\Omega$



Electrical Characteristics (Continued)

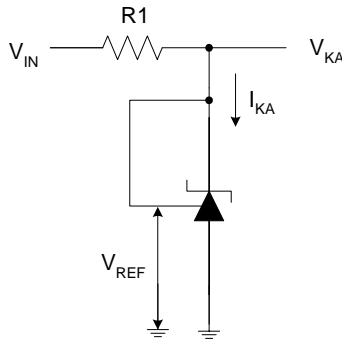


Figure 4. Test Circuit 4 for  $V_{KA}=V_{REF}$

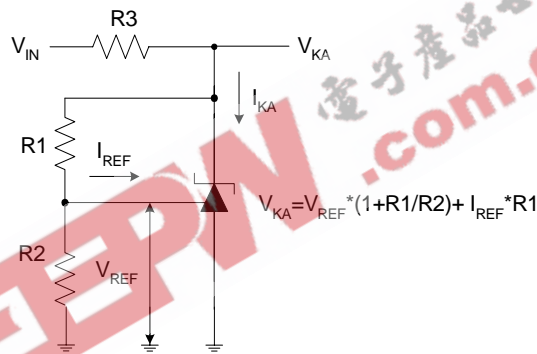


Figure 5. Test Circuit 5 for  $V_{KA}>V_{REF}$

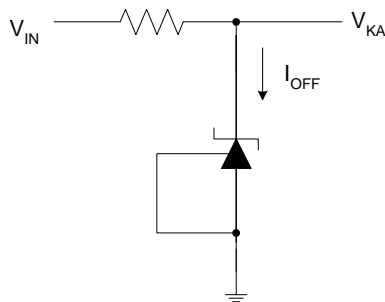


Figure 6. Test Circuit 6 for  $I_{OFF}$



**LOW VOLTAGE (1.24V) ADJUSTABLE PRECISION SHUNT REGULATOR**

**AZ431L**

**Typical Performance Characteristics**

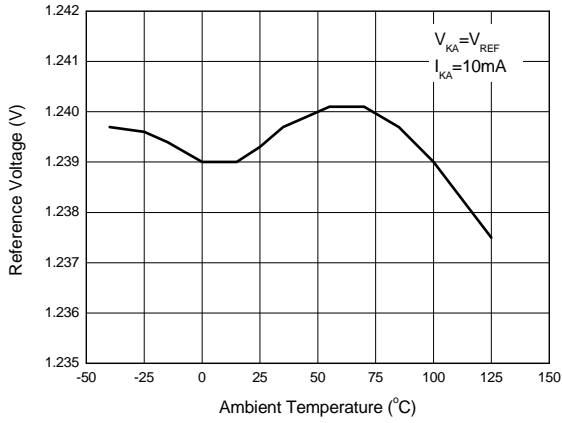


Figure 7. Reference Voltage vs. Ambient Temperature

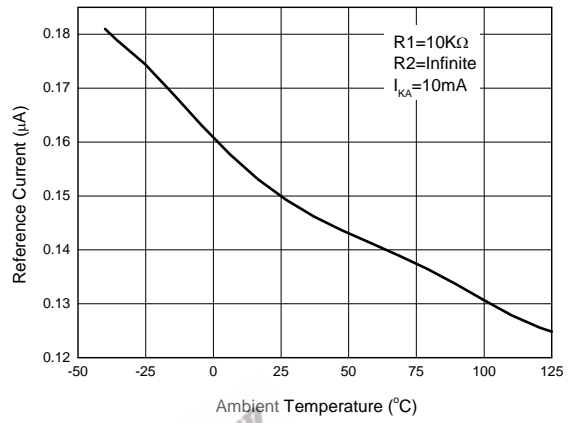


Figure 8. Reference Current vs. Ambient Temperature

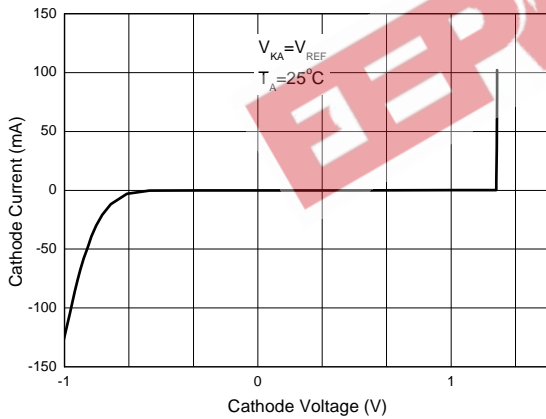


Figure 9. Cathode Current vs. Cathode Voltage

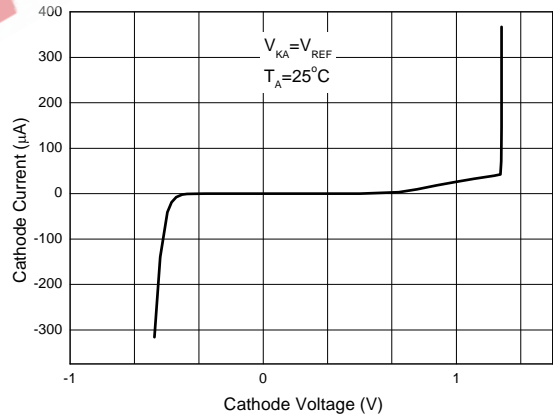


Figure 10. Cathode Current vs. Cathode Voltage



**LOW VOLTAGE (1.24V) ADJUSTABLE PRECISION SHUNT REGULATOR**

**AZ431L**

**Typical Performance Characteristics (Continued)**

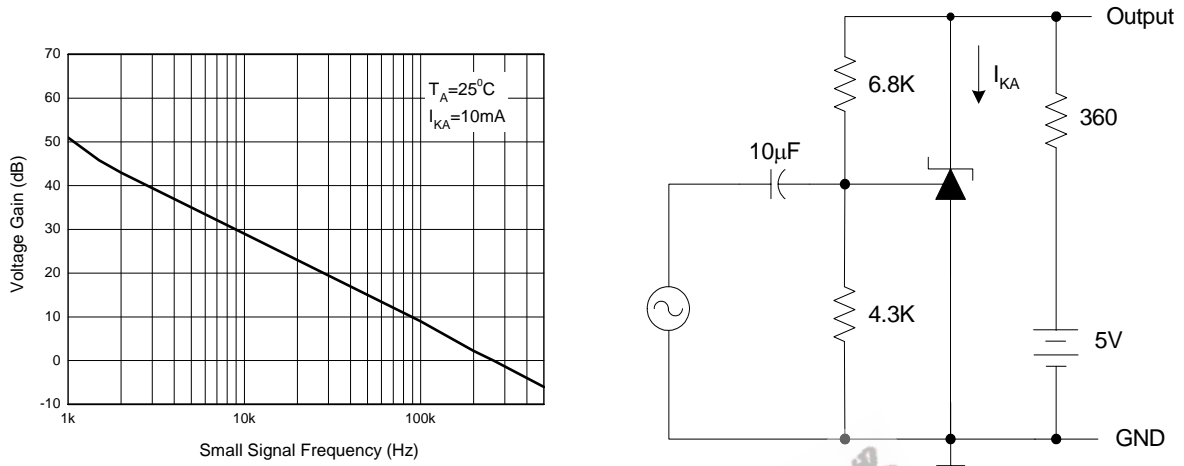


Figure 11. Small Signal Voltage Gain vs. Frequency

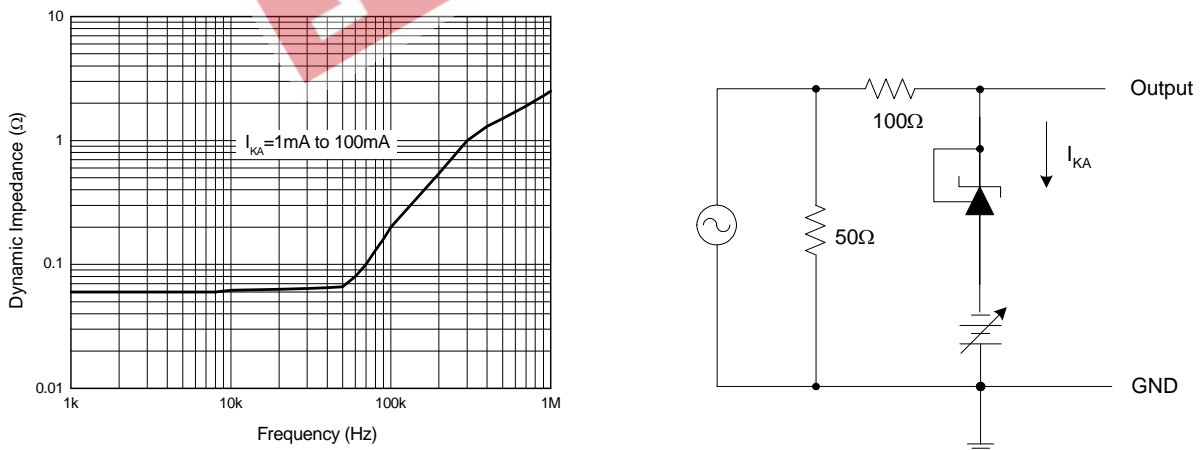


Figure 12. Dynamic Impedance vs. Frequency





**LOW VOLTAGE (1.24V) ADJUSTABLE PRECISION SHUNT REGULATOR**

**AZ431L**

**Typical Performance Characteristics (Continued)**

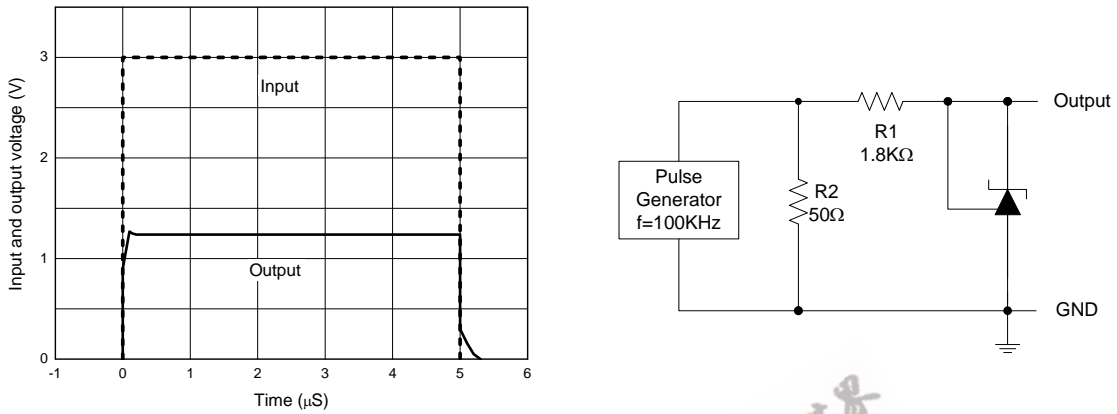


Figure 13. Pulse Response of Input and Output Voltage

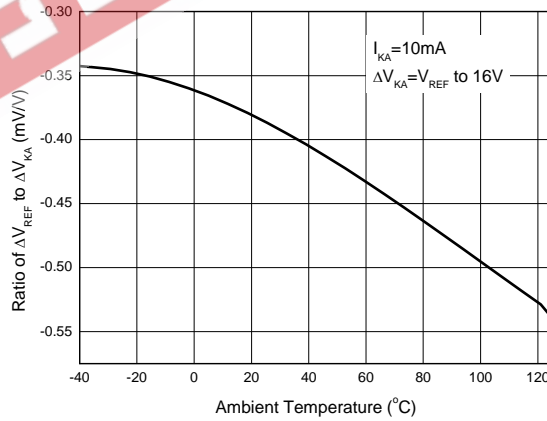


Figure 14. Ratio of Delta Reference Voltage to the Ratio of Cathode Voltage vs. Ambient Temperature



**LOW VOLTAGE (1.24V) ADJUSTABLE PRECISION SHUNT REGULATOR**

**AZ431L**

**Typical Applications**

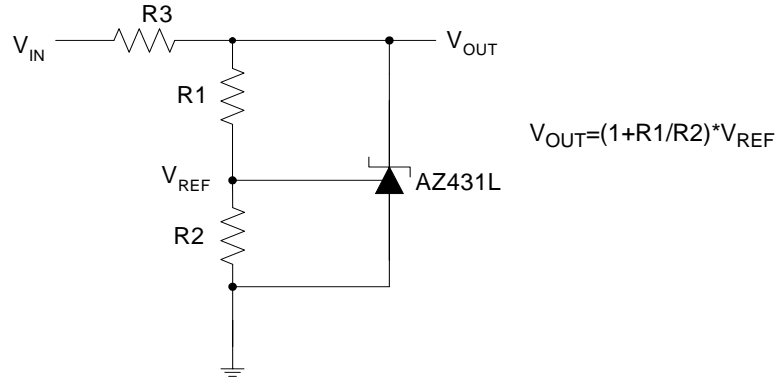


Figure 15. Shunt Regulator

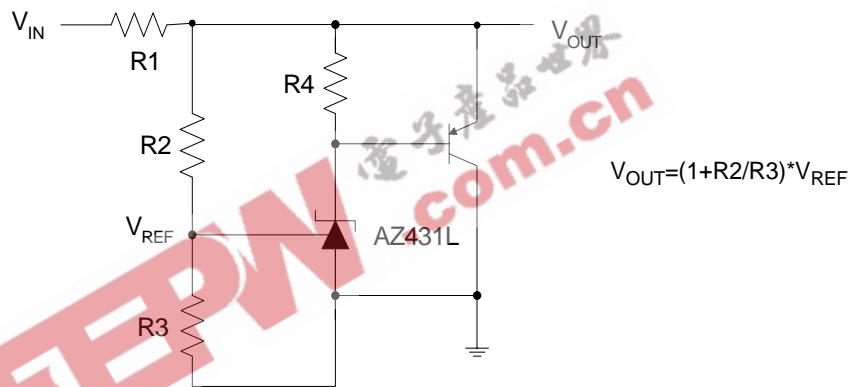


Figure 16. High Current Shunt Regulator

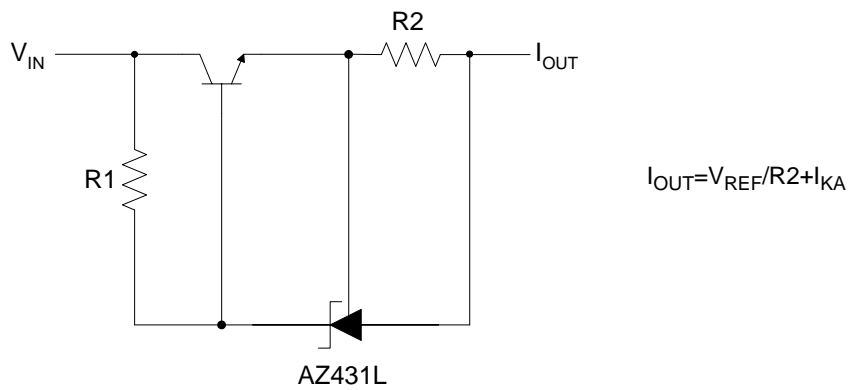


Figure 17. Current Source or Current Limit



**LOW VOLTAGE (1.24V) ADJUSTABLE PRECISION SHUNT REGULATOR**

**AZ431L**

**Typical Application (Continued)**

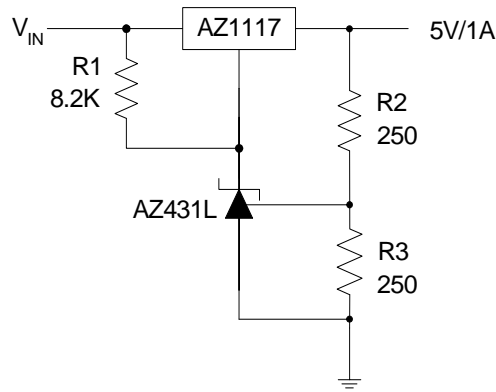


Figure18. Precision 5V 1A Regulator

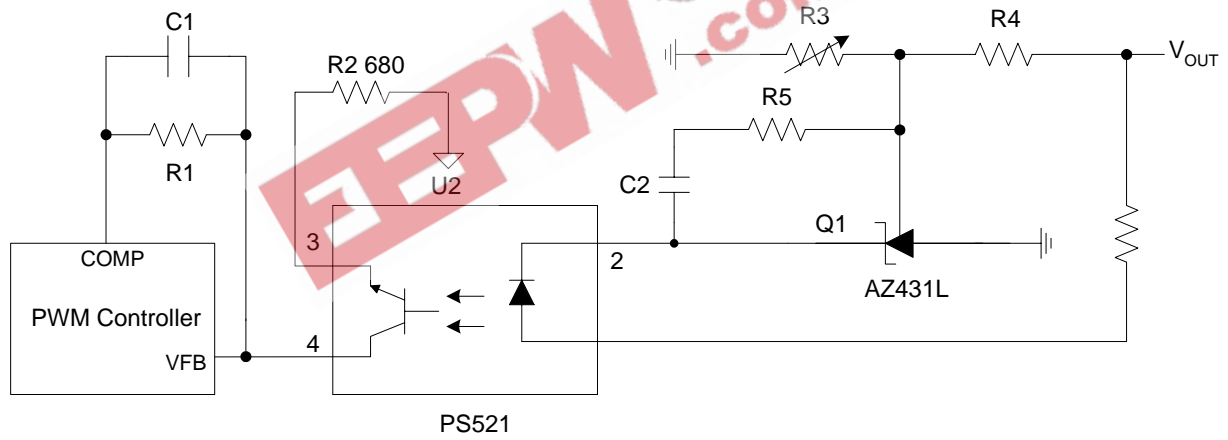


Figure 19. PWM Converter with Reference



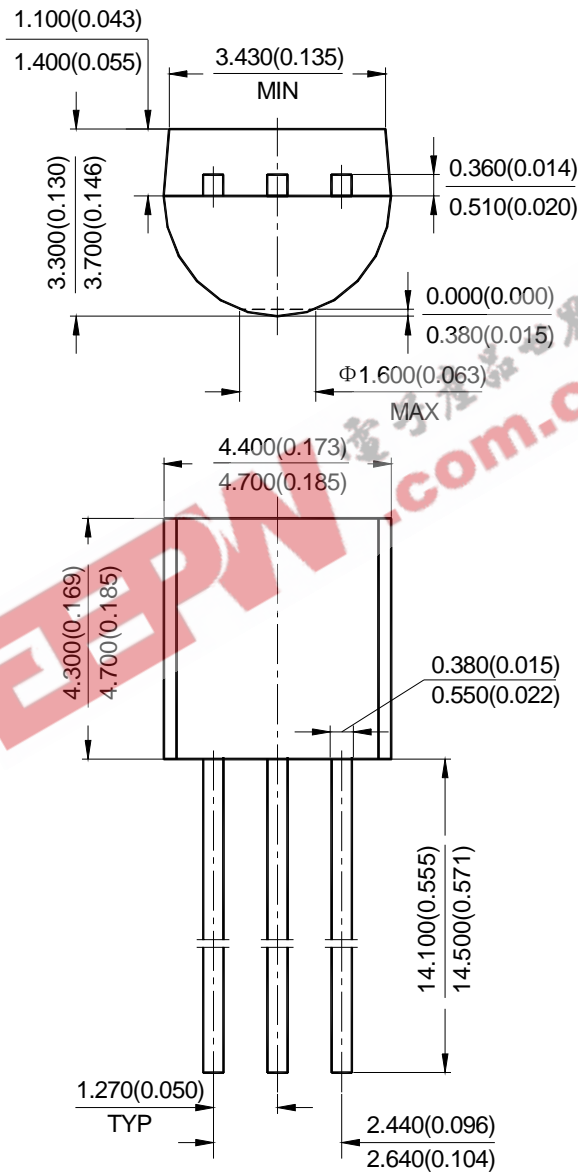
**LOW VOLTAGE (1.24V) ADJUSTABLE PRECISION SHUNT REGULATOR**

**AZ431L**

**Mechanical Dimensions**

**TO-92**

**Unit: mm(inch)**





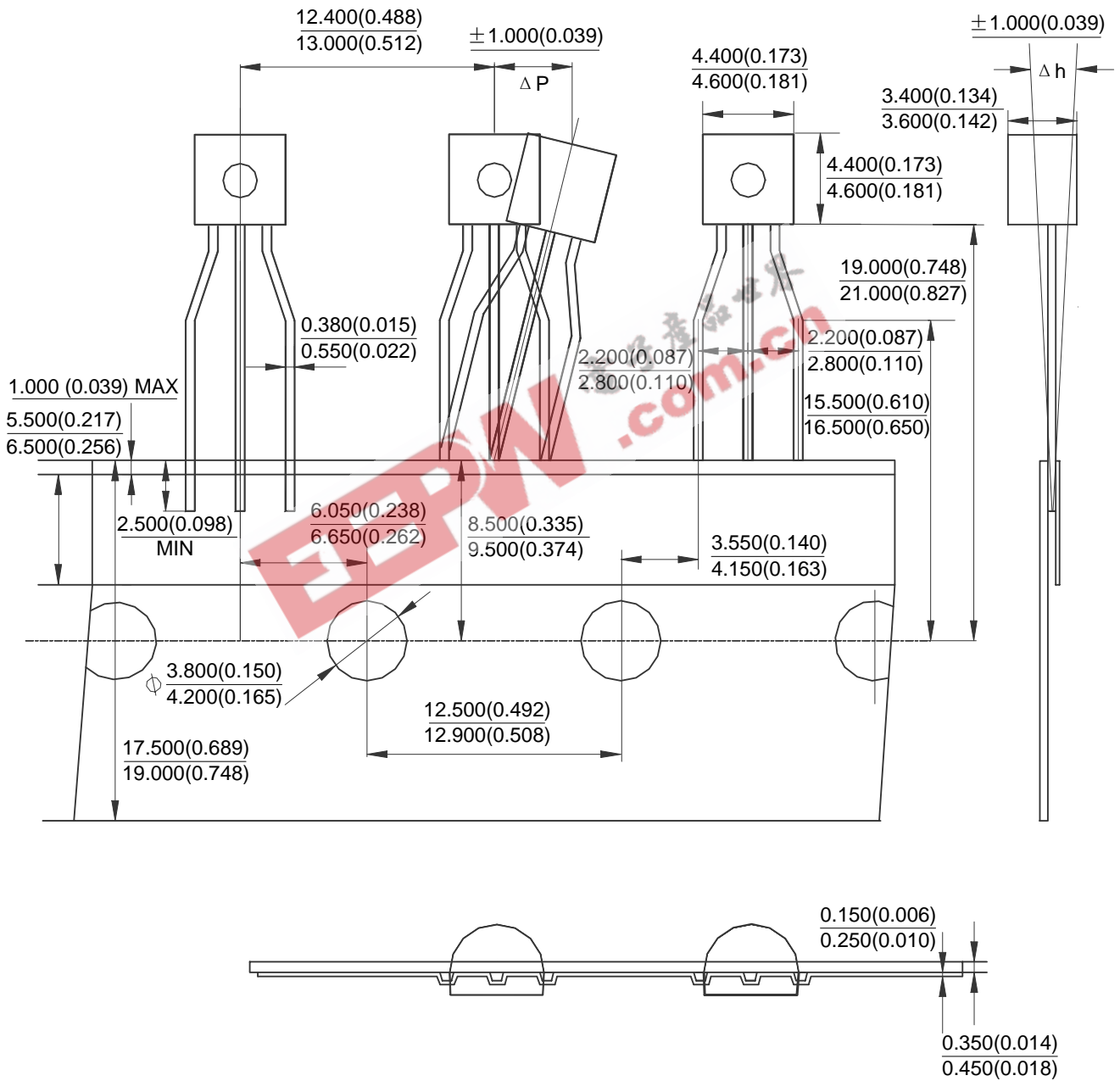
**LOW VOLTAGE (1.24V) ADJUSTABLE PRECISION SHUNT REGULATOR**

**AZ431L**

**Mechanical Dimensions (Continued)**

**TO-92 Ammo Packing**

**Unit: mm(inch)**





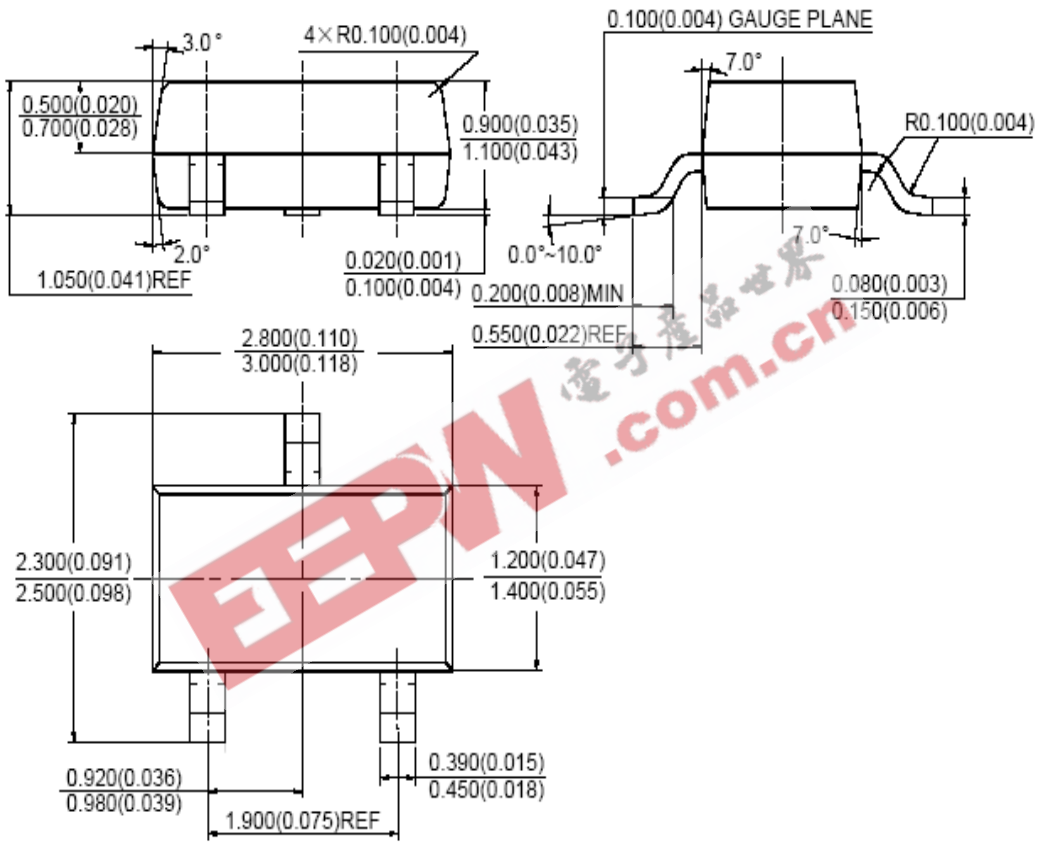
**LOW VOLTAGE (1.24V) ADJUSTABLE PRECISION SHUNT REGULATOR**

**AZ431L**

**Mechanical Dimensions (Continued)**

**SOT-23**

**Unit: mm(inch)**





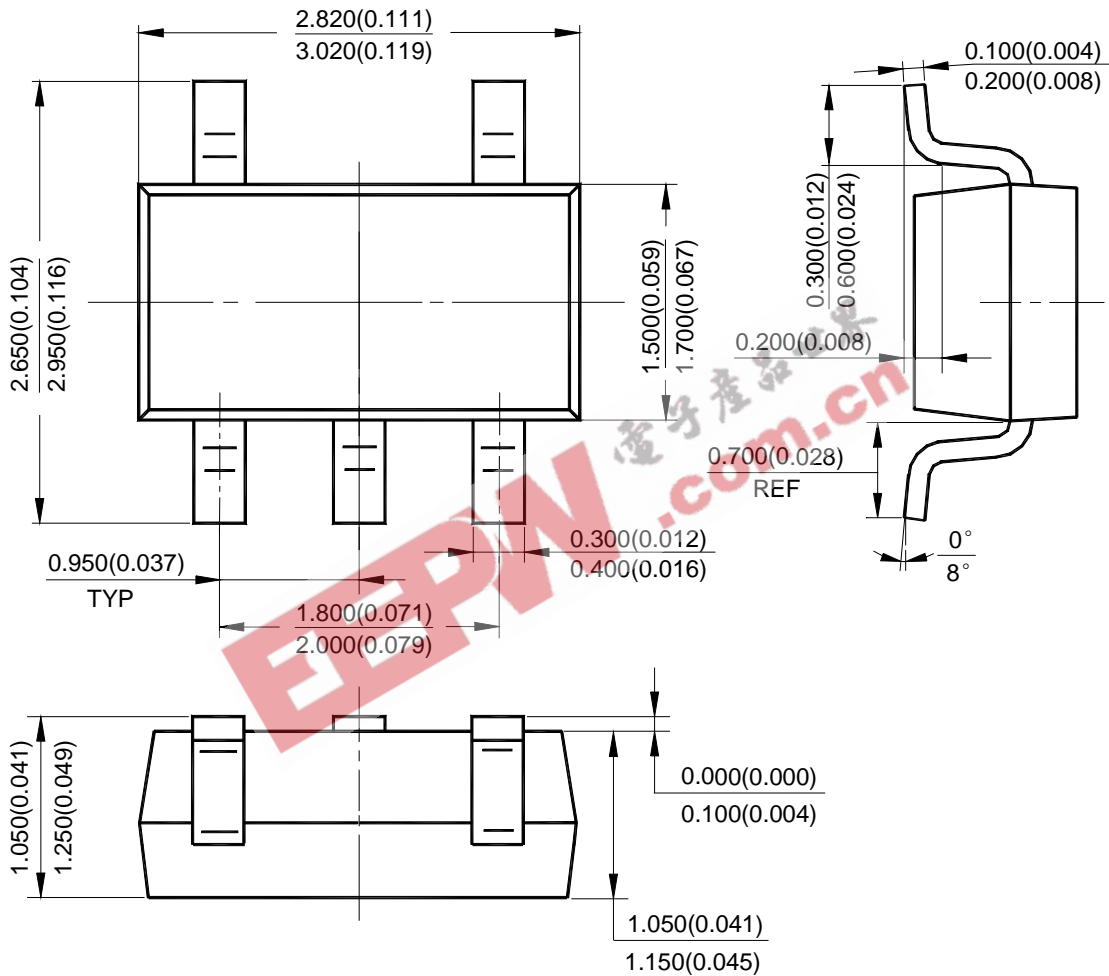
**LOW VOLTAGE (1.24V) ADJUSTABLE PRECISION SHUNT REGULATOR**

**AZ431L**

**Mechanical Dimensions (Continued)**

**SOT-23-5**

**Unit: mm(inch)**









BCD Semiconductor Manufacturing Limited

<http://www.bcdsemi.com>

EEPW.com.cn  
电子产品世界

### IMPORTANT NOTICE

BCD Semiconductor Manufacturing Limited reserves the right to make changes without further notice to any products or specifications herein. BCD Semiconductor Manufacturing Limited does not assume any responsibility for use of any its products for any particular purpose, nor does BCD Semiconductor Manufacturing Limited assume any liability arising out of the application or use of any its products or circuits. BCD Semiconductor Manufacturing Limited does not convey any license under its patent rights or other rights nor the rights of others.

---

#### MAIN SITE

**BCD Semiconductor Manufacturing Limited**  
- Wafer Fab  
Shanghai SIM-BCD Semiconductor Manufacturing Limited  
800, Yi Shan Road, Shanghai 200233, China  
Tel: +86-21-6485 1491, Fax: +86-21-5450 0008

**BCD Semiconductor Manufacturing Limited**  
- IC Design Group  
Advanced Analog Circuits (Shanghai) Corporation  
8F, Zone B, 900, Yi Shan Road, Shanghai 200233, China  
Tel: +86-21-6495 9539, Fax: +86-21-6485 9673

#### REGIONAL SALES OFFICE

**Shenzhen Office**  
Shanghai SIM-BCD Semiconductor Manufacturing Co., Ltd. Shenzhen Office  
Advanced Analog Circuits (Shanghai) Corporation Shenzhen Office  
Room E, 5F, Noble Center, No.1006, 3rd Fuzhong Road, Futian District, Shenzhen 518026, China  
Tel: +86-755-8826 7951  
Fax: +86-755-8826 7865

**Taiwan Office**  
BCD Semiconductor (Taiwan) Company Limited  
4F, 298-1, Rui Guang Road, Nei-Hu District, Taipei, Taiwan  
Tel: +886-2-2656 2808  
Fax: +886-2-2656 2806

**USA Office**  
BCD Semiconductor Corporation  
30920 Huntwood Ave. Hayward, CA 94544, U.S.A  
Tel: +1-510-324-2988  
Fax: +1-510-324-2788