

Specifications

Current rating: 1A AC,DC

Voltage rating: 200V AC,DC

Temperature range: -25°C ~ +85°C

Contact resistance: 20mΩ Max.

Insulation resistance: 500MΩ Min.

Withstanding voltage: 500V AC/minute

Contact H.R for details

電子產品世界
EPPW.com.cn



F1257 SERIES

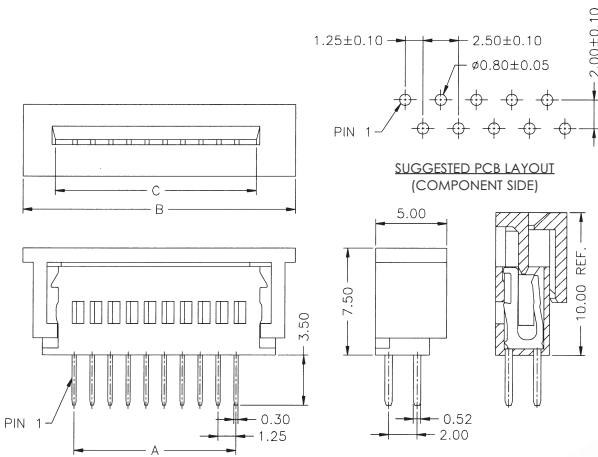
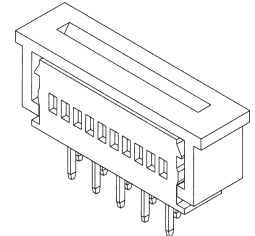
1.25mm pitch FFC/FPC connector

F1257WV

1.25mm pitch FFC/FPC 180° Connector, ZIF

Reference Informations:

- *Material: Pin: Phosphor Bronze/Tin-plated
- Housing: PBT,UL94V-0
- Actuator: PBT,UL94V-0



Ordering Information & Dimensions:

PART NO.	Dimensions			PART NO.	Dimensions		
	A	B	C		A	B	C
F1257WV-3P	2.50	10.20	5.20	F1257WV-18P	21.25	28.95	23.95
F1257WV-4P	3.75	11.45	6.45	F1257WV-19P	22.50	30.20	25.20
F1257WV-5P	5.00	12.70	7.70	F1257WV-20P	23.75	31.45	26.45
F1257WV-6P	6.25	13.95	8.95	F1257WV-21P	25.00	32.70	27.70
F1257WV-7P	7.50	15.20	10.20	F1257WV-22P	26.25	33.95	28.95
F1257WV-8P	8.75	16.45	11.45	F1257WV-23P	27.50	35.20	30.20
F1257WV-9P	10.00	17.70	12.70	F1257WV-24P	28.75	36.45	31.45
F1257WV-10P	11.25	18.95	13.95	F1257WV-25P	30.00	37.70	32.70
F1257WV-11P	12.50	20.20	15.20	F1257WV-26P	31.25	38.95	33.95
F1257WV-12P	13.75	21.45	16.45	F1257WV-27P	32.50	40.20	35.20
F1257WV-13P	15.00	22.70	17.70	F1257WV-28P	33.75	41.45	36.45
F1257WV-14P	16.25	23.95	18.95	F1257WV-29P	35.00	42.70	37.70
F1257WV-15P	17.50	25.20	20.20	F1257WV-30P	36.25	43.95	38.95
F1257WV-16P	18.75	26.45	21.45	F1257WV-31P	37.50	45.20	40.20
F1257WV-17P	20.00	27.70	22.70	F1257WV-32P	38.75	46.45	41.45

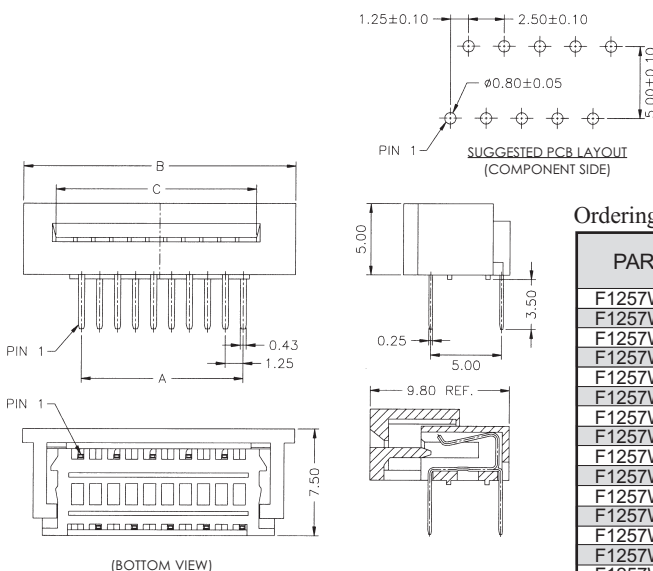
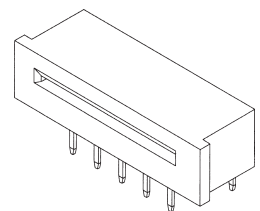
Unit:mm

F1257WR

1.25mm pitch FFC/FPC 90° Connector, ZIF, Top Contact Style

Reference Informations:

- *Material: Pin: Phosphor Bronze/Tin-plated
- Housing: PBT,UL94V-0
- Actuator: PBT,UL94V-0



Ordering Information & Dimensions:

PART NO.	Dimensions			PART NO.	Dimensions		
	A	B	C		A	B	C
F1257WR-3P-T	2.50	10.20	5.20	F1257WR-18P-T	21.25	28.95	23.95
F1257WR-4P-T	3.75	11.45	6.45	F1257WR-19P-T	22.50	30.20	25.20
F1257WR-5P-T	5.00	12.70	7.70	F1257WR-20P-T	23.75	31.45	26.45
F1257WR-6P-T	6.25	13.95	8.95	F1257WR-21P-T	25.00	32.70	27.70
F1257WR-7P-T	7.50	15.20	10.20	F1257WR-22P-T	26.25	33.95	28.95
F1257WR-8P-T	8.75	16.45	11.45	F1257WR-23P-T	27.50	35.20	30.20
F1257WR-9P-T	10.00	17.70	12.70	F1257WR-24P-T	28.75	36.45	31.45
F1257WR-10P-T	11.25	18.95	13.95	F1257WR-25P-T	30.00	37.70	32.70
F1257WR-11P-T	12.50	20.20	15.20	F1257WR-26P-T	31.25	38.95	33.95
F1257WR-12P-T	13.75	21.45	16.45	F1257WR-27P-T	32.50	40.20	35.20
F1257WR-13P-T	15.00	22.70	17.70	F1257WR-28P-T	33.75	41.45	36.45
F1257WR-14P-T	16.25	23.95	18.95	F1257WR-29P-T	35.00	42.70	37.70
F1257WR-15P-T	17.50	25.20	20.20	F1257WR-30P-T	36.25	43.95	38.95
F1257WR-16P-T	18.75	26.45	21.45	F1257WR-31P-T	37.50	45.20	40.20
F1257WR-17P-T	20.00	27.70	22.70	F1257WR-32P-T	38.75	46.45	41.45

Unit:mm