

M220x Series

9x14 mm, 3.3/2.5/1.8 Volt, PECL/LVDS/CML, Clock Oscillator

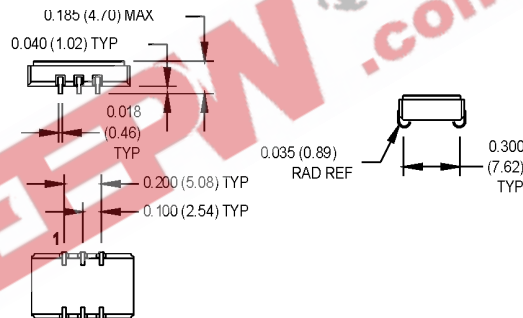


- Featuring **QiK Chip™** Technology
- Superior Jitter Performance (comparable to SAW based)
- Frequencies from 150 MHz to 1.4 GHz
- Designed for a short 2 week cycle time

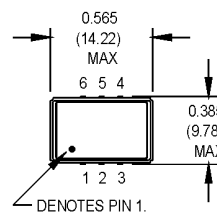
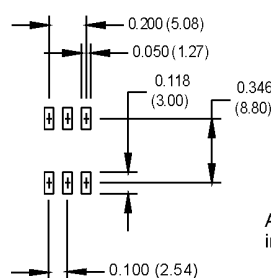
Applications:

- Telecommunications such as SONET / SDH / DWDM / FEC / SERDES / OC-3 thru OC-192
- Wireless base stations / WLAN / Gigabit Ethernet
- Avionic flight controls and military communications

Ordering Information		00.0000
Product Series	M220	00.0000
Supply Voltage	0: 3.3 V 1: 2.5 V 2: 1.8 V	0
Temperature Range	2: -40°C to +85°C (see note 1) 6: -20°C to +70°C	6
Stability	4: ±50 ppm 3: ±100 ppm 8: ±20 ppm	8
Enable/Disable	B: Enable High (pin 1) G: Enable High (pin 2) S: Enable Low (pin 1) M: Enable Low (pin 2) U: No Enable/Disable	B
Logic Type	P: LVPECL L: LVDS M: CML	P
Package/Lead Configuration	J: 9x14 mm J-lead	J
Frequency (customer specified)		00.0000 MHz



SUGGESTED SOLDER PAD LAYOUT



All dimensions in inches (mm).

PIN 1 ENABLE

- Pin1: Enable/Disable
- Pin2: N/C
- Pin3: Ground
- Pin4: Output Q (LVPECL, LVDS, CML)
- Pin5: Output \bar{Q} (LVPECL, LVDS, CML)
- Pin6: Vcc

PIN 2 ENABLE

- Pin1: N/C
- Pin2: Enable/Disable
- Pin3: Ground
- Pin4: Output Q (LVPECL, LVDS, CML)
- Pin5: Output \bar{Q} (LVPECL, LVDS, CML)
- Pin6: Vcc

M220x Series

9x14 mm, 3.3/2.5/1.8 Volt, PECL/LVDS/CML, Clock Oscillator



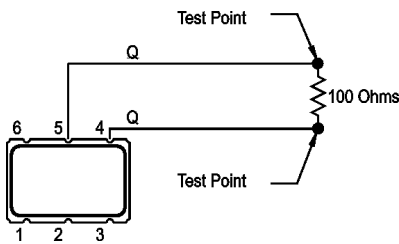
PARAMETER	Symbol	Min.	Typ.	Max.	Units	Condition/Notes	
Frequency Range	F	150		1400	MHz	See Note 2	
Operating Temperature	T _A	(See ordering information)					See Note 1
Storage Temperature	T _S	-55		+125	°C		
Frequency Stability	ΔF/F	(See ordering information)					See Note 3
Aging							
1st Year		-3		+3	ppm		
Thereafter (per year)		-1		+1	ppm		
Supply Voltage	V _{CC}	1.71	1.8	1.89	V		
		2.375	2.5	2.625	V		
		3.135	3.3	3.465	V		
Input Current	I _{CC}			125	mA	LVPECL/LVDS/CML	
Load		50 Ohms to (V _{CC} - 2) V _{dc} 100 Ohm differential load				See Note 4 LVPECL Waveform LVDS/CML Waveform	
Symmetry (Duty Cycle)		45		55	%	@ 50% of waveform	
Output Skew			TBD				
Differential Voltage		350	425 TBD	500	mVppd	LVDS CML	
Common Mode Output Voltage	V _{CM}		1.2		V	LVDS	
Logic "1" Level	V _{OH}	V _{CC} - 1.02			V	LVPECL	
Logic "0" Level	V _{OL}			V _{CC} - 1.63	V	LVPECL	
Rise/Fall Time	T _r /T _f		0.23	0.50	ns	@ 20/80% LVPECL	
Enable Function		80% V _{CC} min.: or N/C; output active 20% V _{CC} max.: output disables to high-Z				Output Option B or G	
		20% V _{CC} max.: output active 80% V _{CC} min.: output disables to high-Z				Output Option S or M	
Start up Time			10		ms		
Phase Jitter @ 622.08 MHz	φ _J		0.3		ps RMS	Integrated 12 kHz – 20 MHz	
Phase Noise						@ 622.08 MHz	
10 Hz			-50			dBc/Hz	
100 Hz			-80			dBc/Hz	
1 KHz			-106			dBc/Hz	
10 KHz			-117			dBc/Hz	
100 KHz			-120			dBc/Hz	
1 MHz			-130			dBc/Hz	
10 MHz			-147			dBc/Hz	
40 MHz			-150			dBc/Hz	
Mechanical Shock		Per MIL-STD-202, Method 213, Condition C (100 g's, 6 ms duration, ½ sinewave)					
Vibration		Per MIL-STD-202, Method 201 & 204 (10 g's from 10-2000 Hz)					
Hermeticity		Per MIL-STD-202, Method 112, (1x10 ⁻⁸ atm. cc/s of Helium)					
Thermal Cycle		Per MIL-STD-883, Method 1010, Condition B (-55°C to +125°C, 15 min. dwell, 10 cycles)					
Solderability		Per EIAJ-STD-002					
Soldering Conditions		+260°C max. for 10 secs.					

Note 1: If the device is powered up below -20°C and then the ambient temperature rises 105°C during normal operation, the output will be interrupted for approximately 2-3 ms. A correction is in process and will be available Q1 2007.

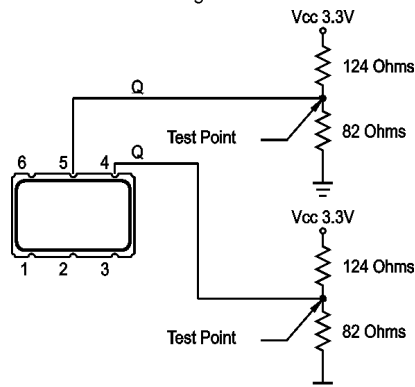
Note 2: Contact factory for exact frequency availability over 945 MHz

Note 3: Stability is inclusive of initial tolerance, deviation over temperature, shock, vibration, supply voltage, and aging for one year at 50°C mean ambient temperature.

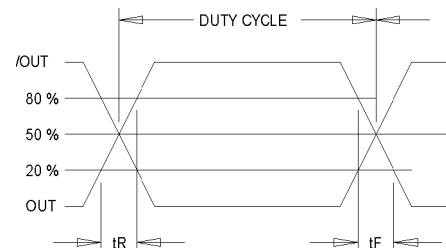
Note 4: See Load Circuit Diagram in this Datasheet. Consult factory with nonstandard output load requirements.



LVDS Load Circuit



3.3V LVPECL Load Circuit



Output Waveform: LVDS/CML/PECL

MtronPTI reserves the right to make changes to the product(s) and service(s) described herein without notice. No liability is assumed as a result of their use or application.

Please see www.mtronpti.com for our complete offering and detailed datasheets. Contact us for your application specific requirements: MtronPTI 1-800-762-8800.

MtronPTI Lead Free Solder Profile

