

PART NUMBERING GUIDE **Environmental/Mechanical Specifications on page F5**

Package LF10=1.0mm max.ht. / 2 Pad Seam Weld SMD	LF10	A	32	C	1	- 30.000MHz
Tolerance/Stability A=±50/100 B=±50/50 C=±30/50 D=±30/30						
						Mode of Operation 1=Fundamental
						Operating Temperature Range C=0°C to 70°C E=-20°C to 70°C F=-40°C to 85°C
						Load Capacitance S=Series, XX=XXpF (Pico Farads)

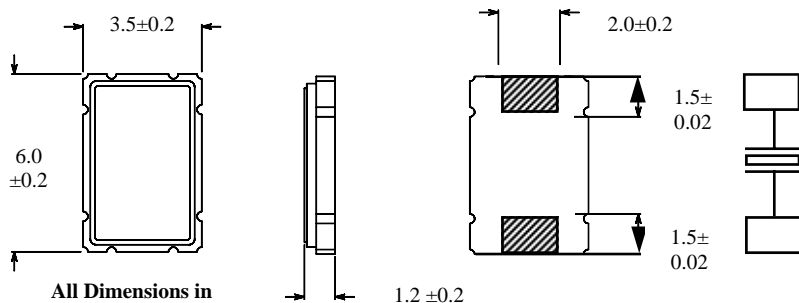
ELECTRICAL SPECIFICATIONS **Revision: 1996-B**

Frequency Range	10.000MHz to 40.000MHz
Frequency Tolerance/Stability A, B, C, D	See above for details! Other Combinations Available. Contact Factory for Custom Specifications.
Operating Temperature Range "C" Option, "E" Option, "F" Option	0°C to 70°C, -20°C to 70°C, -40°C to 85°C
Aging @ 25°C	±5ppm / year Maximum
Storage Temperature Range	-55°C to 125°C
Load Capacitance "S" Option "XX" Option	Series 8pF to 50pF
Shunt Capacitance	7pF Maximum
Insulation Resistance	500 Megaohms Minimum at 100Vdc
Drive Level	50mW Maximum, 50uW correlation

EQUIVALENT SERIES RESISTANCE (ESR)

Frequency Range (MHz)	ESR (ohms)	Mode / Cut
10.000 to 45.000	50	Fundamental / AT

MECHANICAL DIMENSIONS **Marking Guide**



Line 1: Frequency
Line 2: CEI YM
CEI = Caliber Electronics Inc.
YM = Date Code (Year / Month)