

M220x Series

9x14 mm, 3.3/2.5/1.8 Volt, PECL/LVDS/CML, Clock Oscillator

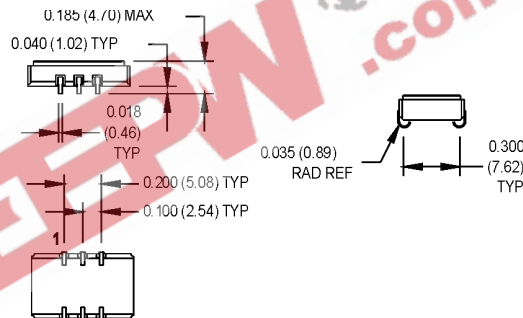


- Featuring **QiK Chip™** Technology
- Superior Jitter Performance (comparable to SAW based)
- Frequencies from 150 MHz to 1.4 GHz
- Designed for a short 2 week cycle time

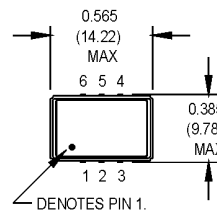
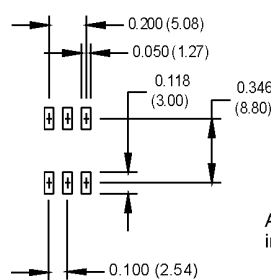
Applications:

- Telecommunications such as SONET / SDH / DWDM / FEC / SERDES / OC-3 thru OC-192
- Wireless base stations / WLAN / Gigabit Ethernet
- Avionic flight controls and military communications

| Ordering Information | | 00.0000 MHz | |
|--------------------------------|--|-------------|-----------|
| Product Series | M220 | 0 | 6 8 B P J |
| Supply Voltage | 0: 3.3 V 1: 2.5 V 2: 1.8 V | | |
| Temperature Range | 2: -40°C to +85°C (see note 1) 6: -20°C to +70°C | | |
| Stability | 4: ±50 ppm 3: ±100 ppm 8: ±20 ppm | | |
| Enable/Disable | B: Enable High (pin 1) G: Enable High (pin 2) S: Enable Low (pin 1) M: Enable Low (pin 2) U: No Enable/Disable | | |
| Logic Type | P: LVPECL L: LVDS M: CML | | |
| Package/Lead Configuration | J: 9x14 mm J-lead | | |
| Frequency (customer specified) | | | |



SUGGESTED SOLDER PAD LAYOUT



All dimensions in inches (mm).

PIN 1 ENABLE

- Pin1: Enable/Disable
- Pin2: N/C
- Pin3: Ground
- Pin4: Output Q (LVPECL, LVDS, CML)
- Pin5: Output \bar{Q} (LVPECL, LVDS, CML)
- Pin6: Vcc

PIN 2 ENABLE

- Pin1: N/C
- Pin2: Enable/Disable
- Pin3: Ground
- Pin4: Output Q (LVPECL, LVDS, CML)
- Pin5: Output \bar{Q} (LVPECL, LVDS, CML)
- Pin6: Vcc

M220x Series

9x14 mm, 3.3/2.5/1.8 Volt, PECL/LVDS/CML, Clock Oscillator



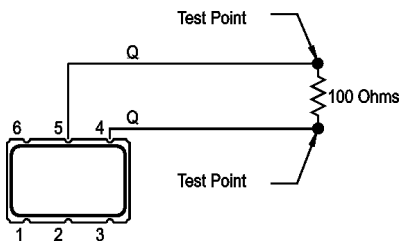
| PARAMETER | Symbol | Min. | Typ. | Max. | Units | Condition/Notes | |
|------------------------------|--------------------------------|--|------------|------------------------|--------|--|------------|
| Frequency Range | F | 150 | | 1400 | MHz | See Note 2 | |
| Operating Temperature | T _A | (See ordering information) | | | | | See Note 1 |
| Storage Temperature | T _s | -55 | | +125 | °C | | |
| Frequency Stability | ΔF/F | (See ordering information) | | | | | See Note 3 |
| Aging | | | | | | | |
| 1st Year | | -3 | | +3 | ppm | | |
| Thereafter (per year) | | -1 | | +1 | ppm | | |
| Supply Voltage | V _{cc} | 1.71 | 1.8 | 1.89 | V | | |
| | | 2.375 | 2.5 | 2.625 | V | | |
| | | 3.135 | 3.3 | 3.465 | V | | |
| Input Current | I _{cc} | | | 125 | mA | LVPECL/LVDS/CML | |
| Load | | 50 Ohms to (V _{cc} - 2) V _{dc} 100 Ohm differential load | | | | See Note 4 LVPECL Waveform LVDS/CML Waveform | |
| Symmetry (Duty Cycle) | | 45 | | 55 | % | @ 50% of waveform | |
| Output Skew | | | TBD | | | | |
| Differential Voltage | | 350 | 425 TBD | 500 | mVppd | LVDS CML | |
| Common Mode Output Voltage | V _{cm} | | 1.2 | | V | LVDS | |
| Logic "1" Level | V _{oh} | V _{cc} - 1.02 | | | V | LVPECL | |
| Logic "0" Level | V _{ol} | | | V _{cc} - 1.63 | V | LVPECL | |
| Rise/Fall Time | T _r /T _f | | 0.23 | 0.50 | ns | @ 20/80% LVPECL | |
| Enable Function | | 80% V _{cc} min.: or N/C; output active 20% V _{cc} max.: output disables to high-Z | | | | Output Option B or G | |
| | | 20% V _{cc} max.: output active 80% V _{cc} min.: output disables to high-Z | | | | Output Option S or M | |
| Start up Time | | | 10 | | ms | | |
| Phase Jitter @ 622.08 MHz | φ _J | | 0.3 | | ps RMS | Integrated 12 kHz – 20 MHz | |
| Phase Noise | | | | | | @ 622.08 MHz | |
| 10 Hz | | | -50 | | | dBc/Hz | |
| 100 Hz | | | -80 | | | dBc/Hz | |
| 1 KHz | | | -106 | | | dBc/Hz | |
| 10 KHz | | | -117 | | | dBc/Hz | |
| 100 KHz | | | -120 | | | dBc/Hz | |
| 1 MHz | | | -130 | | | dBc/Hz | |
| 10 MHz | | | -147 | | | dBc/Hz | |
| 40 MHz | | | -150 | | | dBc/Hz | |
| Mechanical Shock | | Per MIL-STD-202, Method 213, Condition C (100 g's, 6 ms duration, ½ sinewave) | | | | | |
| Vibration | | Per MIL-STD-202, Method 201 & 204 (10 g's from 10-2000 Hz) | | | | | |
| Hermeticity | | Per MIL-STD-202, Method 112, (1x10 ⁻⁸ atm. cc/s of Helium) | | | | | |
| Thermal Cycle | | Per MIL-STD-883, Method 1010, Condition B (-55°C to +125°C, 15 min. dwell, 10 cycles) | | | | | |
| Solderability | | Per EIAJ-STD-002 | | | | | |
| Soldering Conditions | | +260°C max. for 10 secs. | | | | | |

Note 1: If the device is powered up below -20°C and then the ambient temperature rises 105°C during normal operation, the output will be interrupted for approximately 2-3 ms. A correction is in process and will be available Q1 2007.

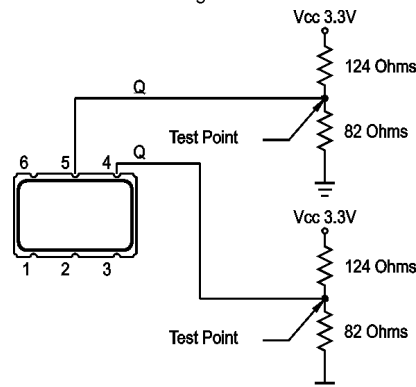
Note 2: Contact factory for exact frequency availability over 945 MHz

Note 3: Stability is inclusive of initial tolerance, deviation over temperature, shock, vibration, supply voltage, and aging for one year at 50°C mean ambient temperature.

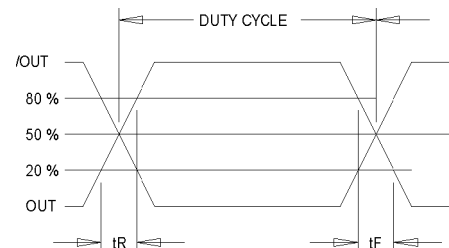
Note 4: See Load Circuit Diagram in this Datasheet. Consult factory with nonstandard output load requirements.



LVDS Load Circuit



3.3V LVPECL Load Circuit



Output Waveform: LVDS/CML/PECL

MtronPTI reserves the right to make changes to the product(s) and service(s) described herein without notice. No liability is assumed as a result of their use or application.

Please see www.mtronpti.com for our complete offering and detailed datasheets. Contact us for your application specific requirements: MtronPTI 1-800-762-8800.

MtronPTI Lead Free Solder Profile

