



## Selection Guide

| Part No.   | Dice        | Lens Type      | Iv (mcd) [2]<br>@ 10mA |      | Viewing<br>Angle [1] |
|------------|-------------|----------------|------------------------|------|----------------------|
|            |             |                | Min.                   | Typ. | 2θ1/2                |
| WP934ZH/GD | Green (GaP) | GREEN DIFFUSED | 8                      | 20   | 40°                  |

Notes:

1. θ1/2 is the angle from optical centerline where the luminous intensity is 1/2 the optical centerline value.
2. Luminous intensity/ luminous Flux: +/-15%.

## Electrical / Optical Characteristics at TA=25°C

| Symbol | Parameter                | Device | Typ. | Max. | Units | Test Conditions |
|--------|--------------------------|--------|------|------|-------|-----------------|
| λpeak  | Peak Wavelength          | Green  | 565  |      | nm    | IF=20mA         |
| λD [1] | Dominant Wavelength      | Green  | 568  |      | nm    | IF=20mA         |
| Δλ1/2  | Spectral Line Half-width | Green  | 30   |      | nm    | IF=20mA         |
| C      | Capacitance              | Green  | 15   |      | pF    | VF=0V;f=1MHz    |
| VF [2] | Forward Voltage          | Green  | 2.2  | 2.5  | V     | IF=20mA         |
| IR     | Reverse Current          | Green  |      | 10   | uA    | VR = 5V         |

Notes:

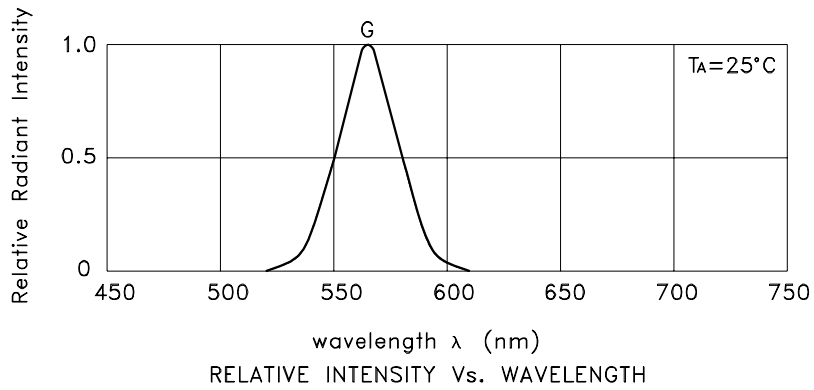
1. Wavelength: +/-1nm.
2. Forward Voltage: +/-0.1V.

## Absolute Maximum Ratings at TA=25°C

| Parameter                     | Green               | Units |
|-------------------------------|---------------------|-------|
| Power dissipation             | 62.5                | mW    |
| DC Forward Current            | 25                  | mA    |
| Peak Forward Current [1]      | 140                 | mA    |
| Reverse Voltage               | 5                   | V     |
| Operating/Storage Temperature | -40°C To +85°C      |       |
| Lead Solder Temperature [2]   | 260°C For 3 Seconds |       |
| Lead Solder Temperature [3]   | 260°C For 5 Seconds |       |

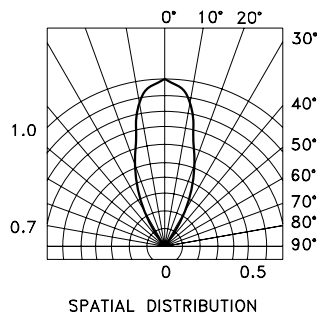
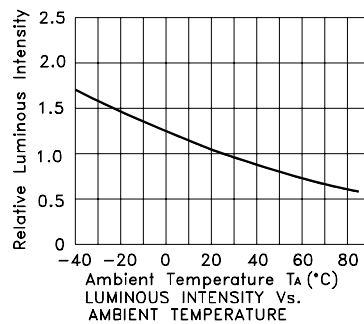
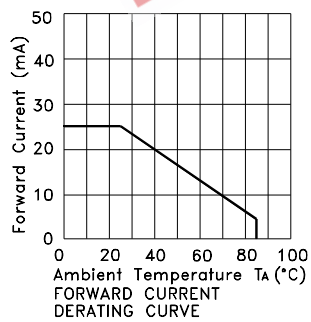
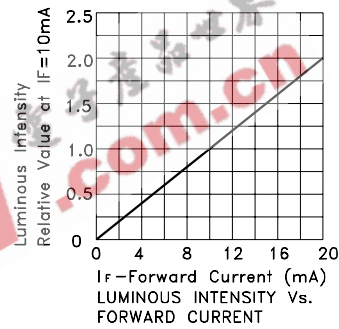
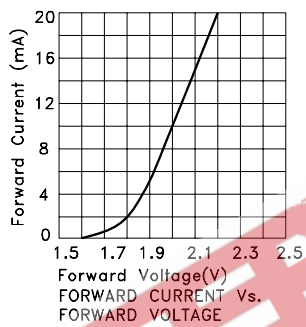
Notes:

1. 1/10 Duty Cycle, 0.1ms Pulse Width.
2. 2mm below package base.
3. 5mm below package base.



Green

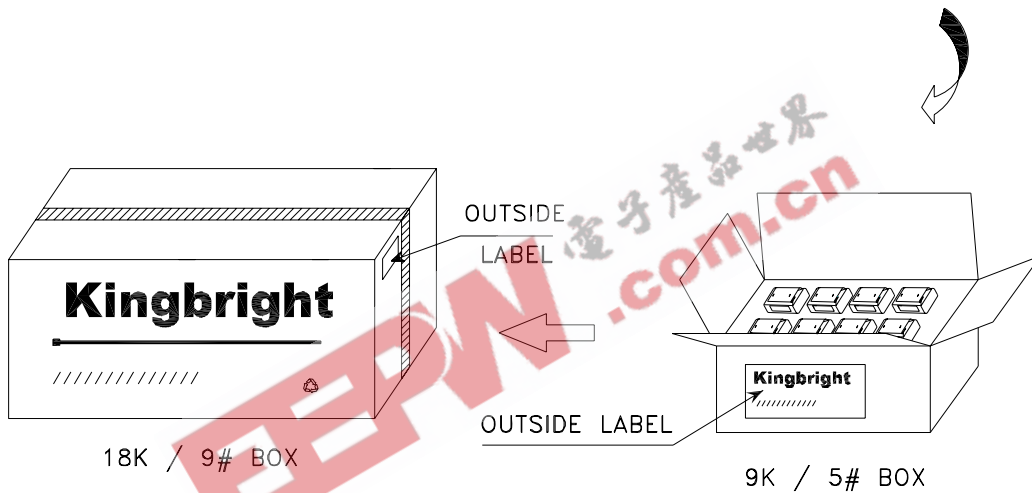
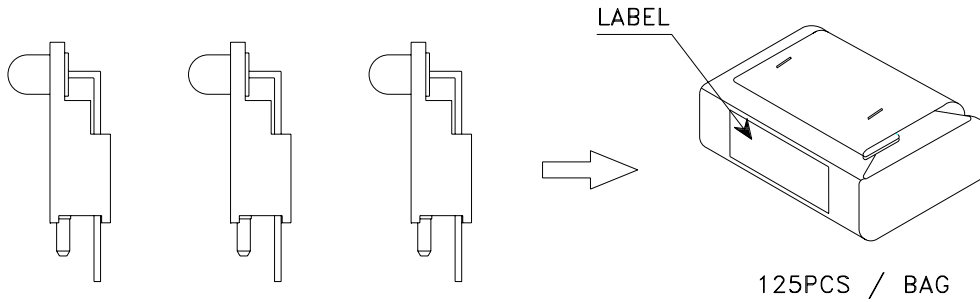
WP934ZH/GD




# Kingbright

## PACKING & LABEL SPECIFICATIONS

## WP934ZH/GD



|  |  |    |          |        |
|--|--|----|----------|--------|
| <h1>Kingbright</h1>  |  |    |          |        |
| Q.C.   | <table border="1"> <tr> <td>QC</td> </tr> <tr> <td>XX XX XX</td> </tr> <tr> <td>PASSED</td> </tr> </table> | QC | XX XX XX | PASSED |
| QC   |  |    |          |        |
| XX XX XX   |  |    |          |        |
| PASSED   |  |    |          |        |
| TYPE NO : WP934ZHxxx   |  |    |          |        |
| QUANTITY : 125 pcs   |  |    |          |        |
| S/N : XX   | CODE: XX   |    |          |        |
| LOT NO :  |  |    |          |        |
| RoHS Compliant   |  |    |          |        |