

## PRECISION 4.1 VOLT MICROPOWER VOLTAGE REFERENCE

ISSUE 3 - FEBRUARY 1998

ZR4040-4.1

### DEVICE DESCRIPTION

The ZR4040-4.1 uses a bandgap circuit design to achieve a precision micropower voltage reference of 4.1 volts. The device is available in small outline surface mount packages, ideal for applications where space saving is important, as well as packages for through hole requirements.

The ZR4040-4.1 design provides a stable voltage without an external capacitor and is stable with capacitive loads. The ZR4040-4.1 is recommended for operation between 60 $\mu$ A and 15mA and so is ideally suited to low power and battery powered applications.

Excellent performance is maintained to an absolute maximum of 25mA, however the rugged design and 20 volt processing allows the reference to withstand transient effects and currents up to 200mA. Superior switching capability allows the device to reach stable operating conditions in only a few microseconds.

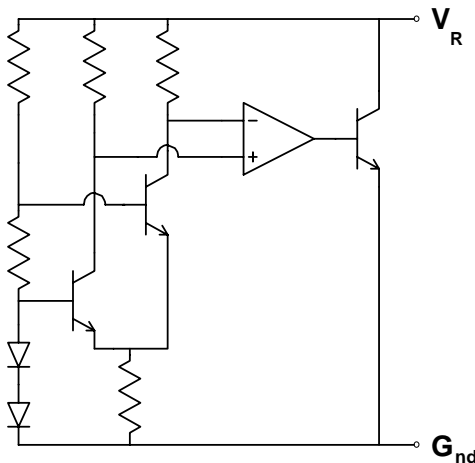
### FEATURES

- Small outline SO8 and SOT23 packages
- TO92 style package
- No stabilising capacitor required
- Typical  $T_C$  20ppm/ $^{\circ}$ C
- Typical slope resistance 0.55 $\Omega$
- 2% and 1% tolerance
- Industrial temperature range
- Operating current 60 $\mu$ A to 15mA

### APPLICATIONS

- Battery powered and portable equipment.
- Metering and measurement systems.
- Instrumentation.
- Test equipment.
- Data acquisition systems.
- Precision power supplies.
- Crystal oscillators.

### SCHEMATIC DIAGRAM



# ZR4040-4.1

## ABSOLUTE MAXIMUM RATING

|                       |              |
|-----------------------|--------------|
| Reverse Current       | 25mA         |
| Forward Current       | 25mA         |
| Operating Temperature | -40 to 85°C  |
| Storage Temperature   | -55 to 125°C |

## Power Dissipation (T<sub>amb</sub>=25°C)

|                      |       |
|----------------------|-------|
| SOT23                | 330mW |
| SO8                  | 625mW |
| E-Line, 3 pin (TO92) | 500mW |

## ELECTRICAL CHARACTERISTICS

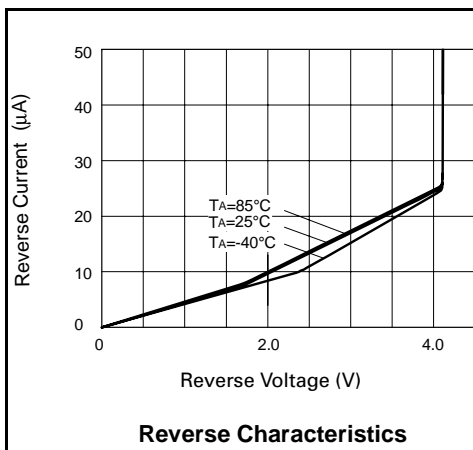
### TEST CONDITIONS (Unless otherwise stated) T<sub>amb</sub>= 25°C

| SYMBOL           | PARAMETER                                   | CONDITION   | LIMITS       |                |              | TOL    | UNITS   |
|------------------|---|---|--------------|----------------|--------------|--------|---------|
|                  |   |   | MIN          | TYP            | MAX          |        |         |
| V <sub>R</sub>   | Reverse Breakdown Voltage                   | I <sub>R</sub> =150μA   | 4.05<br>4.01 | 4.096<br>4.096 | 4.14<br>4.18 | 1<br>2 | V       |
| I <sub>MIN</sub> | Minimum Operating Current                   |   |              | 25             | 60           |        | μA      |
| I <sub>R</sub>   | Recommended Operating Current               |   | 0.06         |                | 15           |        | mA      |
| T <sub>C</sub> † | Average Reverse Breakdown Voltage Temp. Co. | I <sub>R(min)</sub> to I <sub>R(max)</sub>                                |              | 20             | 100          |        | ppm/°C  |
| R <sub>S</sub> § | Slope Resistance                            |   |              | 0.55           | 2            |        | Ω       |
| Z <sub>R</sub>   | Reverse Dynamic Impedance                   | I <sub>R</sub> = 1mA<br>f = 100Hz<br>I <sub>AC</sub> = 0.1 I <sub>R</sub> |              | 0.5            | 1.2          |        | Ω       |
| E <sub>N</sub>   | Wideband Noise Voltage                      | I <sub>R</sub> = 1mA<br>f = 10Hz to 10kHz                                 |              | 90             |              |        | μV(rms) |

$$\dagger T_C = \frac{(V_{R(max)} - V_{R(min)}) \times 1000000}{V_R \times (T_{(max)} - T_{(min)})}$$

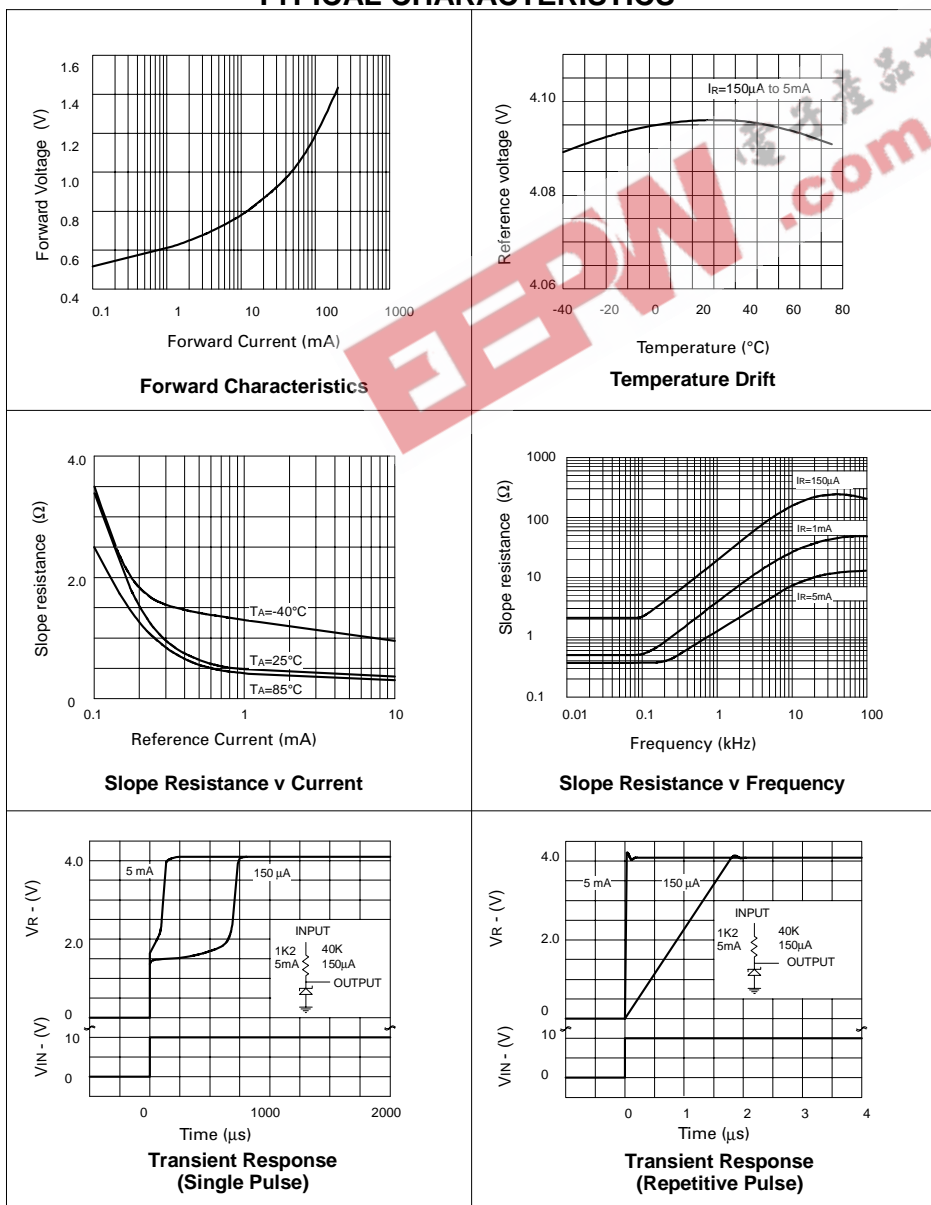
Note: V<sub>R(max)</sub> - V<sub>R(min)</sub> is the maximum deviation in reference voltage measured over the full operating temperature range.

$$\S R_S = \frac{V_R \text{ Change}(I_R(min) \text{ to } I_R(max))}{I_R(max) - I_R(min)}$$



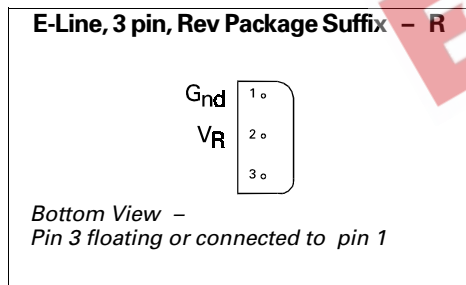
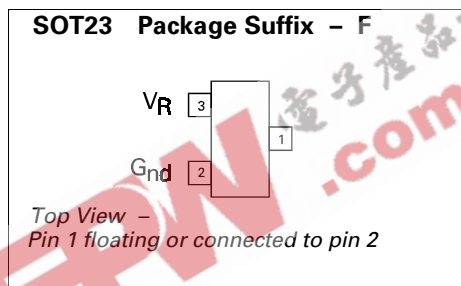
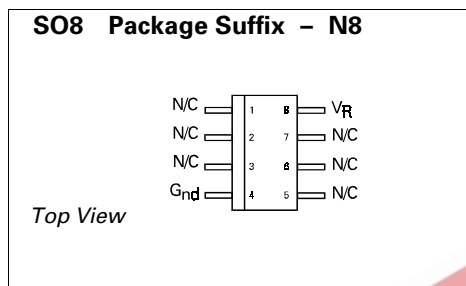
# ZR4040-4.1

## TYPICAL CHARACTERISTICS



# ZR4040-4.1

## CONNECTION DIAGRAMS



## ORDERING INFORMATION

| Part Number | Tol% | Package  | Partmark  |
|-------------|------|----------|-----------|
| ZR40402F41  | 2    | SOT23    | 40E       |
| ZR40401F41  | 1    | SOT23    | 40F       |
| ZR40402N841 | 2    | SO8      | ZR4040241 |
| ZR40401N841 | 1    | SO8      | ZR4040141 |
| ZR40402R41  | 2    | E-Line * | ZR4040241 |
| ZR40401R41  | 1    | E-Line * | ZR4040141 |

\* E-Line, 3 pin Reversed