

FEATURES

- Real time video radio transmitter and receiver
- PAL colour or monochrome CCTV
- One Channel
- Range 1 - 4 km
- 1V pk – pk 75Ω video Signal
- MPT1349 Licence exempt
- Pan & Tilt or RS232 / RS485 Control System (option)
- Compact size
- 12V DC supply



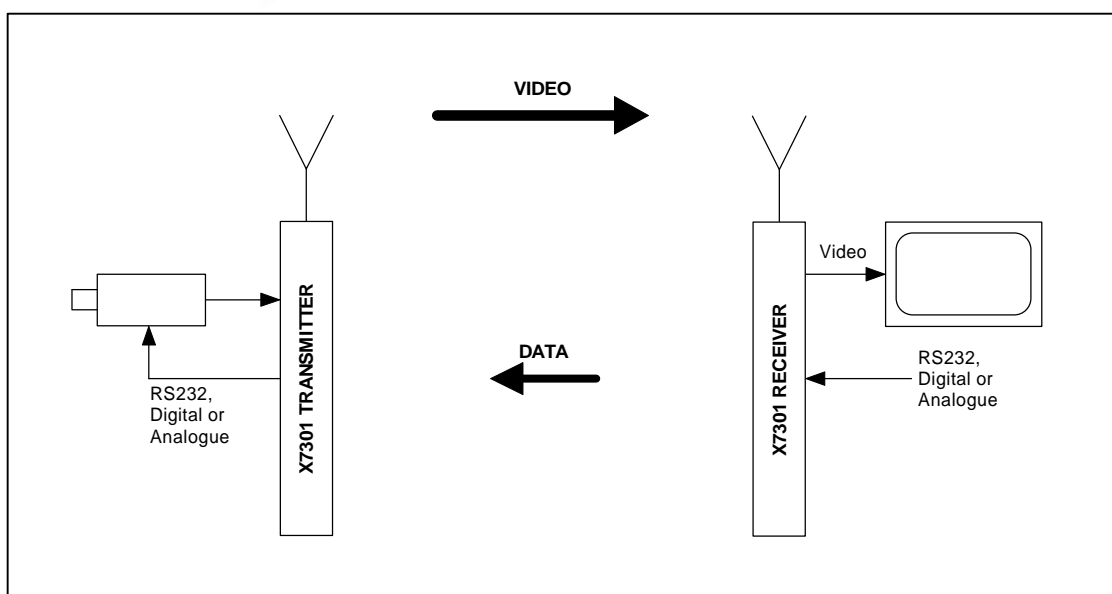
DESCRIPTION

The licence exempt X7301 CCTV Video Link consists of a compact 500mW radio transmitter and a highly sensitive radio receiver. Real time colour and monochrome composite video signals are presented to a BNC connector on the transmitter. These are then passed over a 1.394GHz radio link to a pair of screw terminals on the receiver. A range of 1Km to 4Km is possible in free space.

Serial, analogue or digital camera controls signals can be transmitted back to the video transmitter via a licence exempt 458MHz radio link if required.

Both the receiver and transmitter are powered from a regulated 12 volt source at 500mA.

BLOCK DIAGRAM



INSTALLATION:**TRANSMITTER**

Mount the camera in the correct position. Connect the video cable to VIN and GND video terminals using 75 ohm coaxial cable with tail ends. Connect a regulated 12V power supply rated at greater than 0.5 amps to the power terminals ensuring the correct polarity.

RECEIVER

Connect the VID and GND video terminal to a monitor using 75 ohm coaxial cable with tail ends. Connect a regulated 12V power supply rated at greater than 0.5 amps to the power terminals ensuring the correct polarity.

PROPAGATION

With any radio system there are a number of factors which affect the system performance. These are:

- Transmitter output power
- Height of transmitter and receiver antenna
- Length and type of coaxial antenna feeder
- Topography between transmitter and receiver
- The weather

EPN 电子产品世界 .com.cn

TECHNICAL SPECIFICATIONS

ABSOLUTE MAXIMUM RATINGS

Storage Temperature: -30 to +85° Celsius.
Operating Temperature: -25 to +55° Celsius.

DIMENSIONS:

Transmitter: Length = 150mm Width = 100mm Height = 35mm
Receiver: Length = 157mm Width = 110mm Height = 50mm

ELECTRICAL CHARACTERISTICS	MIN	TYPICAL	MAX	DIMENSION	NOTE
Frequency	1.389	1.394	1.399	GHz	MPT1349
Channels		1			
Synchronisation time		1.5	2.0	mSec	
Modulation		AM/FM			
Range		1000.0	4000.0	Metres	
RF Power		500		mW	ERP
Video Input / Output		1		V	Composite PAL / Mono
Supply Voltage	11	12	14	Volts	
Supply Current	450	500	550	mAmps	

For more information or general enquiries, please contact

**R. F. Solutions Ltd.,
Unit 21, Cliffe Industrial Estate,
South Street,
Lewes,
E Sussex, BN8 6JL. England**

Tel +44 (0)1273 898 000 Fax +44 (0)1273 480 661

Email sales@rfsolutions.co.uk

<http://www.rfsolutions.co.uk>

RF Solutions is a member of the Low Power Radio Association

All Trademarks acknowledged and remain the property of the respected owners

