

## FEATURES

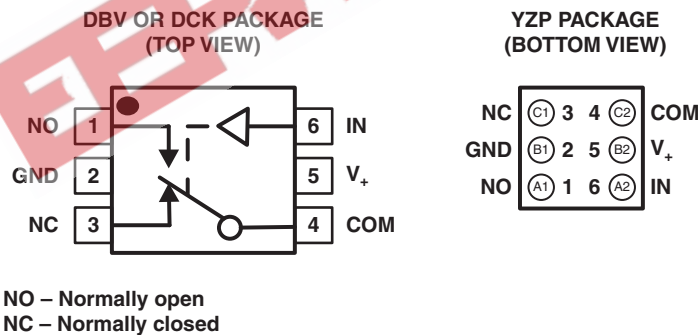
- Isolation in Power-Down Mode,  $V_{+} = 0$
- Pin Compatible With TS5A3159
- Specified Break-Before-Make Switching
- Low On-State Resistance (1 Ω)
- Control Inputs Are 5.5-V Tolerant
- Low Charge Injection
- Excellent On-State Resistance Matching
- Low Total Harmonic Distortion (THD)
- 1.65-V to 5.5-V Single-Supply Operation
- Latch-Up Performance Exceeds 100 mA Per JESD 78, Class II
- ESD Performance Tested Per JESD
  - 2000-V Human-Body Model (A114-B, Class II)
  - 1000-V Charged-Device Model (C101)

## APPLICATIONS

- Cell Phones
- PDAs
- Portable Instrumentation
- Audio and Video Signal Routing
- Low-Voltage Data Acquisition Systems
- Communication Circuits
- Modems
- Hard Drives
- Computer Peripherals
- Wireless Terminals and Peripherals

## DESCRIPTION

The TS5A3159A is a single-pole double-throw (SPDT) analog switch that is designed to operate from 1.65 V to 5.5 V. The device offers low on-state resistance and excellent on-state resistance matching with the break-before-make feature, to prevent signal distortion during the transferring of a signal from one channel to another. The device has an excellent total harmonic distortion (THD) performance and consumes very low power. These features make this device suitable for portable audio applications.



## FUNCTION TABLE

IN	NC TO COM, COM TO NC	NO TO COM, COM TO NO
L	ON	OFF
H	OFF	ON



Please be aware that an important notice concerning availability, standard warranty, and use in critical applications of Texas Instruments semiconductor products and disclaimers thereto appears at the end of this data sheet.

**TS5A3159A**  
**1-Ω SPDT ANALOG SWITCH**  
**5-V/3.3-V SINGLE-CHANNEL 2:1 MULTIPLEXER/DEMULTIPLEXER**

SCDS200A–AUGUST 2005–REVISED FEBRUARY 2007

**SUMMARY OF CHARACTERISTICS<sup>(1)</sup>**

Configuration	2:1 Multiplexer/ Demultiplexer (1 × SPDT)
Number of channels	1
On-state resistance ( $r_{on}$ )	1.1 Ω
On-state resistance match ( $\Delta r_{on}$ )	0.1 Ω
On-state resistance flatness ( $r_{on(flat)}$ )	0.15 Ω
Turn-on/turn-off time ( $t_{ON/OFF}$ )	20 ns/15 ns
Break-before-make time ( $t_{BBM}$ )	12 ns
Charge injection ( $Q_C$ )	–20 pC
Bandwidth (BW)	100 MHz
OFF isolation ( $O_{ISO}$ )	–65 dB at 1 MHz
Crosstalk ( $X_{TALK}$ )	–66 dB at 1 MHz
Total harmonic distortion (THD)	0.01%
Leakage current ( $I_{NO(OFF)}/I_{NC(OFF)}$ )	±20 nA
Power-supply current ( $I_+$ )	0.1 μA
Package options	6-pin DBV, DCK, or YZP

(1)  $V_+ = 5\text{ V}$ ,  $T_A = 25^\circ\text{C}$

**ORDERING INFORMATION**

$T_A$	PACKAGE <sup>(1)</sup>		ORDERABLE PART NUMBER	TOP-SIDE MARKING <sup>(2)</sup>
–40°C to 85°C	NanoFree™ – WCSP (DSBGA) 0.23-mm Large Bump – YZP (Pb-free)	Reel of 3000	TS5A3159AYZPR	_ _ _ JJ_
	SOT (SOT-23) – DBV	Reel of 3000	TS5A3159ADBVR	JAJ_
	SOT (SC-70) – DCK <sup>(2)</sup>	Reel of 3000	TS5A3159ADCKR	JJ_

(1) Package drawings, standard packing quantities, thermal data, symbolization, and PCB design guidelines are available at [www.ti.com/sc/package](http://www.ti.com/sc/package).

(2) DBV/DCK: The actual top-side marking has one additional character that designates the assembly/test site.  
 YZP: The actual top-side marking has three preceding characters to denote year, month, and sequence code, and one following character to designate the assembly/test site. Pin 1 identifier indicates solder-bump composition (1 = SnPb, • = Pb-free).

### Absolute Minimum and Maximum Ratings<sup>(1)(2)</sup>

over operating free-air temperature range (unless otherwise noted)

		MIN	MAX	UNIT
V <sub>+</sub>	Supply voltage range <sup>(3)</sup>	-0.5	6.5	V
V <sub>NO</sub> , V <sub>NC</sub> V <sub>COM</sub>	Analog voltage range <sup>(3)(4)(5)</sup>	-0.5	V <sub>+</sub> + 0.5	V
I <sub>K</sub>	Analog port diode current	V <sub>NC</sub> , V <sub>NO</sub> , V <sub>COM</sub> < 0		mA
I <sub>NO</sub> , I <sub>NC</sub> , I <sub>COM</sub>	On-state switch current	V <sub>NO</sub> , V <sub>NC</sub> , V <sub>COM</sub> = 0 to V <sub>+</sub>		mA
	On-state peak switch current <sup>(6)</sup>	-400	400	
V <sub>I</sub>	Digital input voltage range <sup>(3)(4)</sup>	-0.5	6.5	V
I <sub>IK</sub>	Digital input clamp current	V <sub>I</sub> < 0		mA
I <sub>+</sub>	Continuous current through V <sub>+</sub>		100	mA
I <sub>GND</sub>	Continuous current through GND	-100	100	mA
θ <sub>JA</sub>	Package thermal impedance <sup>(7)</sup>	DBV package		165
		DCK package		259
		YZP package		123
T <sub>stg</sub>	Storage temperature range	-65	150	°C

- (1) Stresses beyond those listed under "absolute maximum ratings" may cause permanent damage to the device. These are stress ratings only, and functional operation of the device at these or any other conditions beyond those indicated under "recommended operating conditions" is not implied. Exposure to absolute-maximum-rated conditions for extended periods may affect device reliability.
- (2) The algebraic convention, whereby the most negative value is a minimum and the most positive value is a maximum
- (3) All voltages are with respect to ground, unless otherwise specified.
- (4) The input and output voltage ratings may be exceeded if the input and output clamp-current ratings are observed.
- (5) This value is limited to 5.5 V maximum.
- (6) Pulse at 1-ms duration <10% duty cycle
- (7) The package thermal impedance is calculated in accordance with JESD 51-7.

**TS5A3159A**  
**1-Ω SPDT ANALOG SWITCH**  
**5-V/3.3-V SINGLE-CHANNEL 2:1 MULTIPLEXER/DEMULTIPLEXER**

SCDS200A–AUGUST 2005–REVISED FEBRUARY 2007

**Electrical Characteristics for 5-V Supply<sup>(1)</sup>**

$V_+ = 4.5\text{ V to }5.5\text{ V}$ ,  $T_A = -40^\circ\text{C to }85^\circ\text{C}$  (unless otherwise noted)

PARAMETER	SYMBOL	TEST CONDITIONS	$T_A$	$V_+$	MIN	TYP	MAX	UNIT	
<b>Analog Switch</b>									
Analog signal range	$V_{COM}, V_{NO}, V_{NC}$				0		$V_+$	V	
Peak on resistance	$r_{peak}$	$0 \leq (V_{NO} \text{ or } V_{NC}) \leq V_+$ , $I_{COM} = -100\text{ mA}$ ,	Switch on, See Figure 15	25°C Full	4.5 V	0.8	1.1 1.5	Ω	
On-state resistance	$r_{on}$	$V_{NO} \text{ or } V_{NC} = 2.5\text{ V}$ , $I_{COM} = -100\text{ mA}$ ,	Switch on, See Figure 15	25°C Full	4.5 V	0.7	0.9 1.1	Ω	
On-state resistance match between channels	$\Delta r_{on}$	$V_{NO} \text{ or } V_{NC} = 2.5\text{ V}$ , $I_{COM} = -100\text{ mA}$ ,	Switch on, See Figure 15	25°C Full	4.5 V	0.05	0.1 0.1	Ω	
On-state resistance flatness	$r_{on(Flat)}$	$0 \leq (V_{NO} \text{ or } V_{NC}) \leq V_+$ , $I_{COM} = -100\text{ mA}$ , $V_{NO} \text{ or } V_{NC} = 1\text{ V}, 1.5\text{ V}, 2.5\text{ V}$ , $I_{COM} = -100\text{ mA}$ ,	Switch on, See Figure 15	25°C Full	4.5 V	0.15	0.1 0.25	Ω	
NC, NO off leakage current	$I_{NC(OFF)}, I_{NO(OFF)}$	$V_{NC} \text{ or } V_{NO} = 1\text{ V}, V_{COM} = 1\text{ V to }4.5\text{ V}$ , or $V_{NC} \text{ or } V_{NO} = 4.5\text{ V}, V_{COM} = 1\text{ V to }4.5\text{ V}$ ,	Switch off, See Figure 16	25°C	5.5 V	-20	2	20	nA
				Full		-100		100	
NC, NO on leakage current	$I_{NC(ON)}, I_{NO(ON)}$	$V_{NC} \text{ or } V_{NO} = 1\text{ V}, V_{COM} = \text{Open}$ , or $V_{NC} \text{ or } V_{NO} = 4.5\text{ V}, V_{COM} = \text{Open}$ ,	Switch on, See Figure 17	25°C	5.5 V	-20	2	20	nA
				Full		-100		100	
COM off leakage current	$I_{COM(PWROFF)}$	$V_{NC} \text{ or } V_{NO} = 0\text{ to }5.5\text{ V}$ , $V_{COM} = 5.5\text{ V to }0$ ,	Switch off, See Figure 16	25°C	0 V	-1	0.1	1	μA
				Full		-20		20	
COM on leakage current	$I_{COM(ON)}$	$V_{NC} \text{ or } V_{NO} = \text{Open}, V_{COM} = 1\text{ V}$ , or $V_{NC} \text{ or } V_{NO} = \text{Open}, V_{COM} = 4.5\text{ V}$ ,	Switch on, See Figure 17	25°C	5.5 V	-20	2	20	nA
				Full		-100		100	
<b>Digital Input (IN)</b>									
Input logic high	$V_{IH}$			Full		2.4	5.5	V	
Input logic low	$V_{IL}$			Full		0	0.8		
Input leakage current	$I_{IH}, I_{IL}$	$V_I = 5.5\text{ V or }0$		25°C	5.5 V	-2	2	nA	
				Full		100	100		

(1) The algebraic convention, whereby the most negative value is a minimum and the most positive value is a maximum.

### Electrical Characteristics for 5-V Supply<sup>(1)</sup> (Continued)

$V_+ = 4.5\text{ V to }5.5\text{ V}$ ,  $T_A = -40^\circ\text{C to }85^\circ\text{C}$  (unless otherwise noted)

PARAMETER	SYMBOL	TEST CONDITIONS	$T_A$	$V_+$	MIN	TYP	MAX	UNIT	
<b>Dynamic</b>									
Turn-on time	$t_{ON}$	$V_{COM} = V_+$ , $R_L = 50\ \Omega$ ,	$C_L = 35\text{ pF}$ , See <a href="#">Figure 19</a>	25°C	5 V	1	12	30	ns
				Full	4.5 V to 5.5 V	1		35	
Turn-off time	$t_{OFF}$	$V_{COM} = V_+$ , $R_L = 50\ \Omega$ ,	$C_L = 35\text{ pF}$ , See <a href="#">Figure 19</a>	25°C	5 V	1	5	20	ns
				Full	4.5 V to 5.5 V	1		30	
Break-before-make time	$t_{BBM}$	$V_{NC} = V_{NO} = V_+$ , $R_L = 50\ \Omega$ ,	$C_L = 35\text{ pF}$ , See <a href="#">Figure 20</a>	25°C	5 V		6		ns
				Full	4.5 V to 5.5 V	1		20	
Charge injection	$Q_C$	$V_{GEN} = 0$ , $R_{GEN} = 0$ ,	$C_L = 1\text{ nF}$ , See <a href="#">Figure 24</a>	25°C	5 V		-20	pC	
NC, NO off capacitance	$C_{NC(OFF)}$ , $C_{NO(OFF)}$	$V_{NC}$ or $V_{NO} = V_+$ or GND, Switch off,	See <a href="#">Figure 18</a>	25°C	5 V		18	pF	
NC, NO on capacitance	$C_{NC(ON)}$ , $C_{NO(ON)}$	$V_{NC}$ or $V_{NO} = V_+$ or GND, Switch on,	See <a href="#">Figure 18</a>	25°C	5 V		55	pF	
COM on capacitance	$C_{COM(ON)}$	$V_{COM} = V_+$ or GND, Switch on,	See <a href="#">Figure 18</a>	25°C	5 V		55	pF	
Digital input capacitance	$C_I$	$V_I = V_+$ or GND,	See <a href="#">Figure 18</a>	25°C	5 V		2	pF	
Bandwidth	BW	$R_L = 50\ \Omega$ , Switch on,	See <a href="#">Figure 21</a>	25°C	5 V		100	MHz	
Off isolation	$O_{ISO}$	$R_L = 50\ \Omega$ , $f = 1\text{ MHz}$ ,	Switch off, See <a href="#">Figure 22</a>	25°C	5 V		-64	dB	
Crosstalk	$X_{TALK}$	$R_L = 50\ \Omega$ , $f = 1\text{ MHz}$ ,	Switch on, See <a href="#">Figure 23</a>	25°C	5 V		-64	dB	
Total harmonic distortion	THD	$R_L = 600\ \Omega$ , $C_L = 50\text{ pF}$ ,	$f = 200\text{ Hz to }20\text{ kHz}$ , See <a href="#">Figure 25</a>	25°C	5 V		0.004	%	
<b>Supply</b>									
Positive supply current	$I_+$	$V_I = V_+$ or GND,	Switch on or off	25°C	5.5 V		10	50	nA
				Full				500	

(1) The algebraic convention, whereby the most negative value is a minimum and the most positive value is a maximum.

**TS5A3159A**  
**1-Ω SPDT ANALOG SWITCH**  
**5-V/3.3-V SINGLE-CHANNEL 2:1 MULTIPLEXER/DEMULTIPLEXER**

SCDS200A–AUGUST 2005–REVISED FEBRUARY 2007

**Electrical Characteristics for 3.3-V Supply<sup>(1)</sup>**

$V_+ = 3\text{ V to }3.6\text{ V}$ ,  $T_A = -40^\circ\text{C to }85^\circ\text{C}$  (unless otherwise noted)

PARAMETER	SYMBOL	TEST CONDITIONS	$T_A$	$V_+$	MIN	TYP	MAX	UNIT	
<b>Analog Switch</b>									
Analog signal range	$V_{COM}, V_{NO}, V_{NC}$				0		$V_+$	V	
Peak on resistance	$r_{peak}$	$0 \leq (V_{NO} \text{ or } V_{NC}) \leq V_+$ , $I_{COM} = -100\text{ mA}$ ,	Switch on, See Figure 15	25°C Full	3 V	1.3	1.6 2	Ω	
On-state resistance	$r_{on}$	$V_{NO} \text{ or } V_{NC} = 2\text{ V}$ , $I_{COM} = -100\text{ mA}$ ,	Switch on, See Figure 15	25°C Full	3 V	1.2	1.5 1.7	Ω	
On-state resistance match between channels	$\Delta r_{on}$	$V_{NO} \text{ or } V_{NC} = 2\text{ V}, 0.8\text{ V}$ , $I_{COM} = -100\text{ mA}$ ,	Switch on, See Figure 15	25°C Full	3 V	0.1	0.15 0.15	Ω	
On-state resistance flatness	$r_{on(Flat)}$	$0 \leq (V_{NO} \text{ or } V_{NC}) \leq V_+$ , $I_{COM} = -100\text{ mA}$ , $V_{NO} \text{ or } V_{NC} = 2\text{ V}, 0.8\text{ V}$ , $I_{COM} = -100\text{ mA}$ ,	Switch on, See Figure 15	25°C 25°C Full	3 V	0.2	0.15 0.3 0.3	Ω	
NC, NO off leakage current	$I_{NC(OFF)}, I_{NO(OFF)}$	$V_{NC} \text{ or } V_{NO} = 1\text{ V}, V_{COM} = 1\text{ V to }3\text{ V}$ , or $V_{NC} \text{ or } V_{NO} = 3\text{ V}, V_{COM} = 1\text{ V to }3\text{ V}$ ,	Switch off, See Figure 16	25°C	3.6 V	-20	2	20	nA
				Full			-50	50	
	$I_{NC(PWROFF)}, I_{NO(PWROFF)}$	$V_{NC} \text{ or } V_{NO} = 0\text{ to }3.6\text{ V}$ , $V_{COM} = 3.6\text{ V to }0$ ,	Switch off, See Figure 16	25°C	0 V	-1	0.2	1	μA
				Full			-15	15	
NC, NO on leakage current	$I_{NC(ON)}, I_{NO(ON)}$	$V_{NC} \text{ or } V_{NO} = 1\text{ V}, V_{COM} = \text{Open}$ , or $V_{NC} \text{ or } V_{NO} = 3\text{ V}, V_{COM} = \text{Open}$ ,	Switch on, See Figure 17	25°C	3.6 V	-10	2	10	nA
				Full			-20	20	
COM off leakage current	$I_{COM(PWROFF)}$	$V_{NC} \text{ or } V_{NO} = 3.6\text{ V to }0$ , $V_{COM} = 0\text{ to }3.6\text{ V}$ ,	Switch off, See Figure 16	25°C	0 V	-1	0.2	1	μA
				Full			-15	15	
COM on leakage current	$I_{COM(ON)}$	$V_{NC} \text{ or } V_{NO} = \text{Open}, V_{COM} = 1\text{ V}$ , or $V_{NC} \text{ or } V_{NO} = \text{Open}, V_{COM} = 3\text{ V}$ ,	Switch on, See Figure 17	25°C	3.6 V	-10	2	10	nA
				Full			-20	20	
<b>Digital Input (IN)</b>									
Input logic high	$V_{IH}$			Full		2.4		5.5	V
Input logic low	$V_{IL}$			Full		0		0.8	
Input leakage current	$I_{IH}, I_{IL}$	$V_I = 5.5\text{ V or }0$		25°C	3.6 V	-2		2	nA
				Full			-100	100	

(1) The algebraic convention, whereby the most negative value is a minimum and the most positive value is a maximum.

**Electrical Characteristics for 3.3-V Supply<sup>(1)</sup> (Continued)**

$V_+ = 3\text{ V to }3.6\text{ V}$ ,  $T_A = -40^\circ\text{C to }85^\circ\text{C}$  (unless otherwise noted)

PARAMETER	SYMBOL	TEST CONDITIONS	$T_A$	$V_+$	MIN	TYP	MAX	UNIT	
<b>Dynamic</b>									
Turn-on time	$t_{ON}$	$V_{COM} = V_+$ , $R_L = 50\ \Omega$ ,	$C_L = 35\text{ pF}$ , See <a href="#">Figure 19</a>	25°C	3.3 V	5	16	35	ns
				Full	3 V to 3.6 V	3		50	
Turn-off time	$t_{OFF}$	$V_{COM} = V_+$ , $R_L = 50\ \Omega$ ,	$C_L = 35\text{ pF}$ , See <a href="#">Figure 19</a>	25°C	3.3 V	1	9	20	ns
				Full	3 V to 3.6 V	1		30	
Break-before-make time	$t_{BBM}$	$V_{NC} = V_{NO} = V_+$ , $R_L = 50\ \Omega$ ,	$C_L = 35\text{ pF}$ , See <a href="#">Figure 20</a>	25°C	3.3 V		9		ns
				Full	3 V to 3.6 V	1		40	
Charge injection	$Q_C$	$V_{GEN} = 0$ , $R_{GEN} = 0$ ,	$C_L = 1\text{ nF}$ , See <a href="#">Figure 24</a>	25°C	3.3 V		-11	pC	
NC, NO off capacitance	$C_{NC(OFF)}$ , $C_{NO(OFF)}$	$V_{NC}$ or $V_{NO} = V_+$ or GND, Switch off,	See <a href="#">Figure 18</a>	25°C	3.3 V		18	pF	
NC, NO on capacitance	$C_{NC(ON)}$ , $C_{NO(ON)}$	$V_{NC}$ or $V_{NO} = V_+$ or GND, Switch on,	See <a href="#">Figure 18</a>	25°C	3.3 V		55	pF	
COM on capacitance	$C_{COM(ON)}$	$V_{COM} = V_+$ or GND, Switch on,	See <a href="#">Figure 18</a>	25°C	3.3 V		55	pF	
Digital input capacitance	$C_I$	$V_I = V_+$ or GND,	See <a href="#">Figure 18</a>	25°C	3.3 V		2	pF	
Bandwidth	BW	$R_L = 50\ \Omega$ , Switch on,	See <a href="#">Figure 21</a>	25°C	3.3 V		100	MHz	
Off isolation	$O_{ISO}$	$R_L = 50\ \Omega$ , $f = 1\text{ MHz}$ ,	Switch off, See <a href="#">Figure 22</a>	25°C	3.3 V		-64	dB	
Crosstalk	$X_{TALK}$	$R_L = 50\ \Omega$ , $f = 1\text{ MHz}$ ,	Switch on, See <a href="#">Figure 23</a>	25°C	3.3 V		-64	dB	
Total harmonic distortion	THD	$R_L = 600\ \Omega$ , $C_L = 50\text{ pF}$ ,	$f = 20\text{ Hz to }20\text{ kHz}$ , See <a href="#">Figure 25</a>	25°C	3.3 V		0.01	%	
<b>Supply</b>									
Positive supply current	$I_+$	$V_I = V_+$ or GND,	Switch on or off	25°C	3.6 V		10	25	nA
				Full				100	

(1) The algebraic convention, whereby the most negative value is a minimum and the most positive value is a maximum.

**TS5A3159A**  
**1-Ω SPDT ANALOG SWITCH**  
**5-V/3.3-V SINGLE-CHANNEL 2:1 MULTIPLEXER/DEMULTIPLEXER**

SCDS200A–AUGUST 2005–REVISED FEBRUARY 2007

**Electrical Characteristics for 2.5-V Supply<sup>(1)</sup>**

$V_+ = 2.3 \text{ V to } 2.7$ ,  $T_A = -40^\circ\text{C to } 85^\circ\text{C}$  (unless otherwise noted)

PARAMETER	SYMBOL	TEST CONDITIONS	$T_A$	$V_+$	MIN	TYP	MAX	UNIT	
<b>Analog Switch</b>									
Analog signal range	$V_{COM}, V_{NO}, V_{NC}$				0		$V_+$	V	
Peak on resistance	$r_{peak}$	$0 \leq (V_{NO} \text{ or } V_{NC}) \leq V_+$ , $I_{COM} = -8 \text{ mA}$ ,	Switch on, See Figure 15	25°C Full	2.3 V	1.8	2.5 2.7	Ω	
On-state resistance	$r_{on}$	$V_{NO} \text{ or } V_{NC} = 1.8 \text{ V}$ , $I_{COM} = -8 \text{ mA}$ ,	Switch on, See Figure 15	25°C Full	2.3 V	1.5	2 2.4	Ω	
On-state resistance match between channels	$\Delta r_{on}$	$V_{NO} \text{ or } V_{NC} = 1.8 \text{ V}$ , $I_{COM} = -8 \text{ mA}$ ,	Switch on, See Figure 15	25°C Full	2.3 V	0.15	0.2 0.2	Ω	
On-state resistance flatness	$r_{on(flat)}$	$0 \leq (V_{NO} \text{ or } V_{NC}) \leq V_+$ , $I_{COM} = -8 \text{ mA}$ , $V_{NO} \text{ or } V_{NC} = 0.8 \text{ V}, 1.8 \text{ V}$ , $I_{COM} = -8 \text{ mA}$ ,	Switch on, See Figure 15	25°C Full	2.3 V	0.6	0.6 1 1	Ω	
NC, NO off leakage current	$I_{NC(OFF)}, I_{NO(OFF)}$	$V_{NC} \text{ or } V_{NO} = 0.5 \text{ V}, V_{COM} = 0.5 \text{ V to } 2.3 \text{ V}$ ,	Switch off, See Figure 16	25°C	2.7 V	-20	2 50	20	nA
		or $V_{NC} \text{ or } V_{NO} = 2.3 \text{ V}, V_{COM} = 0.5 \text{ V to } 2.3 \text{ V}$ ,		Full					
NC, NO on leakage current	$I_{NC(ON)}, I_{NO(ON)}$	$V_{NC} \text{ or } V_{NO} = 0 \text{ to } 3.6 \text{ V}$ ,	Switch off, See Figure 16	25°C	0 V	-1	0.1	1	μA
		$V_{COM} = 3.6 \text{ V to } 0$ ,		Full					
COM off leakage current	$I_{COM(PWROFF)}$	$V_{NC} \text{ or } V_{NO} = 0.5 \text{ V}, V_{COM} = \text{Open}$ ,	Switch on, See Figure 17	25°C	2.7 V	-10	2	10	nA
		or $V_{NC} \text{ or } V_{NO} = 2.2 \text{ V}, V_{COM} = \text{Open}$ ,		Full					
COM on leakage current	$I_{COM(ON)}$	$V_{NC} \text{ or } V_{NO} = 2.7 \text{ V to } 0$ ,	Switch off, See Figure 16	25°C	0 V	-1	0.1	10	μA
		$V_{COM} = 0 \text{ to } 2.7 \text{ V}$ ,		Full					
COM on leakage current	$I_{COM(ON)}$	$V_{NC} \text{ or } V_{NO} = \text{Open}, V_{COM} = 0.5 \text{ V}$ ,	Switch on, See Figure 17	25°C	2.7 V	-10	2	10	nA
		or $V_{NC} \text{ or } V_{NO} = \text{Open}, V_{COM} = 2.2 \text{ V}$ ,		Full					
<b>Digital Input (IN)</b>									
Input logic high	$V_{IH}$			Full		1.8		5.5	V
Input logic low	$V_{IL}$			Full		0		0.6	V
Input leakage current	$I_{IH}, I_{IL}$	$V_I = 5.5 \text{ V or } 0$		25°C	2.7 V	-2		2	nA
				Full					

(1) The algebraic convention, whereby the most negative value is a minimum and the most positive value is a maximum.



**Electrical Characteristics for 2.5-V Supply<sup>(1)</sup> (Continued)**

$V_+ = 2.3 \text{ V to } 2.7$ ,  $T_A = -40^\circ\text{C to } 85^\circ\text{C}$  (unless otherwise noted)

PARAMETER	SYMBOL	TEST CONDITIONS	$T_A$	$V_+$	MIN	TYP	MAX	UNIT	
<b>Dynamic</b>									
Turn-on time	$t_{ON}$	$V_{COM} = V_+$ , $R_L = 50 \Omega$ ,	$C_L = 35 \text{ pF}$ , See Figure 19	25°C	2.5 V	5	22	40	ns
				Full	2.3 V to 2.7 V	5		50	
Turn-off time	$t_{OFF}$	$V_{COM} = V_+$ , $R_L = 50 \Omega$ ,	$C_L = 35 \text{ pF}$ , See Figure 19	25°C	2.5 V	2	6	35	ns
				Full	2.3 V to 2.7 V	2		50	
Break-before-make time	$t_{BBM}$	$V_{NC} = V_{NO} = V_+$ , $R_L = 50 \Omega$ ,	$C_L = 35 \text{ pF}$ , See Figure 20	25°C	2.5 V	2	13	35	ns
				Full	2.3 V to 2.7 V	2		45	
Charge injection	$Q_C$	$V_{GEN} = 0$ , $R_{GEN} = 0$ ,	$C_L = 1 \text{ nF}$ , See Figure 24	25°C	2.5 V		-7	pC	
NC, NO off capacitance	$C_{NC(OFF)}$ , $C_{NO(OFF)}$	$V_{NC}$ or $V_{NO} = V_+$ or GND, Switch off,	See Figure 18	25°C	2.5 V		18	pF	
NC, NO on capacitance	$C_{NC(ON)}$ , $C_{NO(ON)}$	$V_{NC}$ or $V_{NO} = V_+$ or GND, Switch on,	See Figure 18	25°C	2.5 V		55	pF	
COM on capacitance	$C_{COM(ON)}$	$V_{COM} = V_+$ or GND, Switch on,	See Figure 18	25°C	2.5 V		55	pF	
Digital input capacitance	$C_I$	$V_I = V_+$ or GND,	See Figure 18	25°C	2.5 V		2	pF	
Bandwidth	BW	$R_L = 50 \Omega$ , Switch on,	See Figure 21	25°C	2.5 V		100	MHz	
Off isolation	$O_{ISO}$	$R_L = 50 \Omega$ , $f = 1 \text{ MHz}$ ,	Switch off, See Figure 22	25°C	2.5 V		-64	dB	
Crosstalk	$X_{TALK}$	$R_L = 50 \Omega$ , $f = 1 \text{ MHz}$ ,	Switch on, See Figure 23	25°C	2.5 V		-64	dB	
Total harmonic distortion	THD	$R_L = 600 \Omega$ , $C_L = 50 \text{ pF}$ ,	$f = 20 \text{ Hz to } 20 \text{ kHz}$ , See Figure 25	25°C	2.5 V		0.02	%	
<b>Supply</b>									
Positive supply current	$I_+$	$V_I = V_+$ or GND,	Switch on or off	25°C	2.7 V		10	20	nA
				Full				50	

(1) The algebraic convention, whereby the most negative value is a minimum and the most positive value is a maximum.

**TS5A3159A**  
**1-Ω SPDT ANALOG SWITCH**  
**5-V/3.3-V SINGLE-CHANNEL 2:1 MULTIPLEXER/DEMULTIPLEXER**

SCDS200A–AUGUST 2005–REVISED FEBRUARY 2007

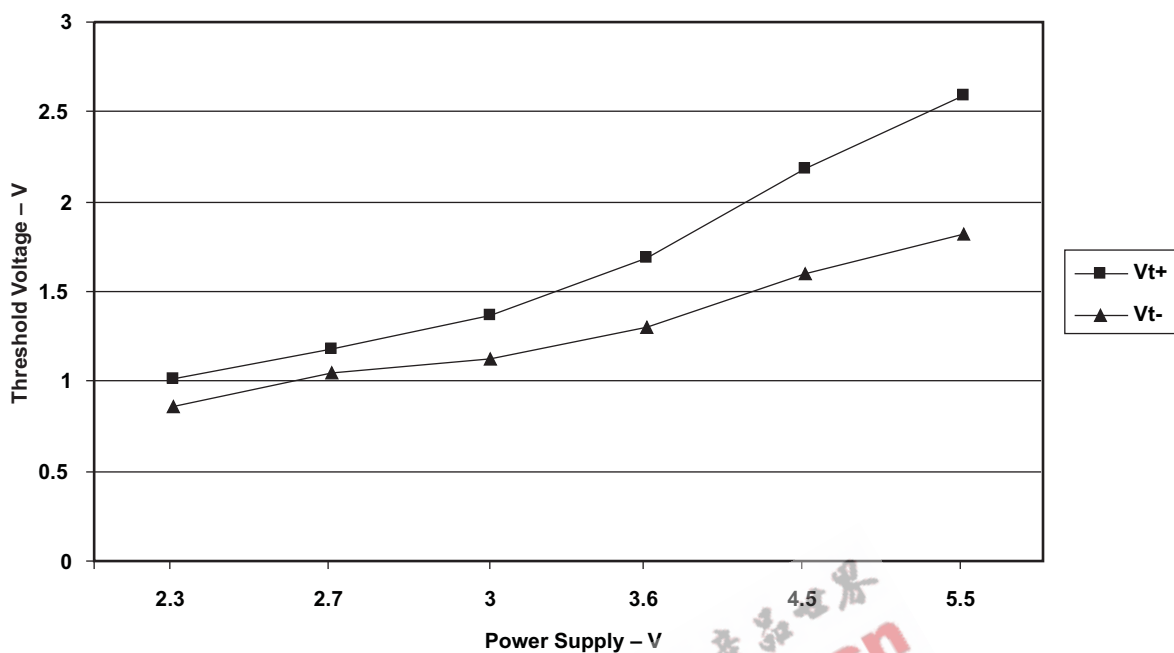


Figure 1. Logic Threshold vs Power Supply

### Electrical Characteristics for 1.8-V Supply<sup>(1)</sup>

$V_+ = 1.65\text{ V to }1.95\text{ V}$ ,  $T_A = -40^\circ\text{C to }85^\circ\text{C}$  (unless otherwise noted)

PARAMETER	SYMBOL	TEST CONDITIONS	$T_A$	$V_+$	MIN	TYP	MAX	UNIT	
<b>Analog Switch</b>									
Analog signal range	$V_{COM}, V_{NO}, V_{NC}$				0		$V_+$	V	
Peak on resistance	$r_{peak}$	$0 \leq (V_{NO} \text{ or } V_{NC}) \leq V_+$ , $I_{COM} = -2\text{ mA}$ ,	Switch on, See Figure 15	25°C	1.65 V	5		Ω	
				Full		15			
On-state resistance	$r_{on}$	$V_{NO} \text{ or } V_{NC} = 1.5\text{ V}$ , $I_{COM} = -2\text{ mA}$ ,	Switch on, See Figure 15	25°C	1.65 V	2	2.5	Ω	
				Full		3.5			
On-state resistance match between channels	$\Delta r_{on}$	$V_{NO} \text{ or } V_{NC} = 1.5\text{ V}$ , $I_{COM} = -2\text{ mA}$ ,	Switch on, See Figure 15	25°C	1.65 V	0.15	0.4	Ω	
				Full		0.4			
On-state resistance flatness	$r_{on(Flat)}$	$0 \leq (V_{NO} \text{ or } V_{NC}) \leq V_+$ , $I_{COM} = -8\text{ mA}$ ,	Switch on, See Figure 15	25°C	1.65 V	5		Ω	
				Full		4.5			
NC, NO off leakage current	$I_{NC(OFF)}, I_{NO(OFF)}$	$V_{NC} \text{ or } V_{NO} = 0.3\text{ V}$ , $V_{COM} = 0.3\text{ V to }1.65\text{ V}$ , or $V_{NC} \text{ or } V_{NO} = 1.65\text{ V}$ , $V_{COM} = 0.3\text{ V to }1.65\text{ V}$ ,	Switch off, See Figure 16	25°C	1.95 V	-5	2	5	nA
				Full		-20 20			
NC, NO on leakage current	$I_{NC(ON)}, I_{NO(ON)}$	$V_{NC} \text{ or } V_{NO} = 0.3\text{ V}$ , $V_{COM} = \text{Open}$ , or $V_{NC} \text{ or } V_{NO} = 1.65\text{ V}$ , $V_{COM} = \text{Open}$ ,	Switch on, See Figure 17	25°C	1.95 V	-5	2	5	nA
				Full		-20 20			
COM off leakage current	$I_{COM(PWROFF)}$	$V_{NC} \text{ or } V_{NO} = 1.95\text{ V to }0$ , $V_{COM} = 0 \text{ to }1.95\text{ V}$ ,	Switch off, See Figure 16	25°C	0 V	-1	0.1	7	μA
				Full		-5 5			
COM on leakage current	$I_{COM(ON)}$	$V_{NC} \text{ or } V_{NO} = \text{Open}$ , $V_{COM} = 0.3\text{ V}$ , or $V_{NC} \text{ or } V_{NO} = \text{Open}$ , $V_{COM} = 1.65\text{ V}$ ,	Switch on, See Figure 17	25°C	1.95 V	-5	2	5	nA
				Full		-20 20			
<b>Digital Input (IN)</b>									
Input logic high	$V_{IH}$			Full		1.5	5.5	V	
Input logic low	$V_{IL}$			Full		0	0.6		
Input leakage current	$I_{IH}, I_{IL}$	$V_I = 5.5\text{ V or }0$		25°C	1.95 V	-2 2		nA	
				Full		20 20			

(1) The algebraic convention, whereby the most negative value is a minimum and the most positive value is a maximum.

**TS5A3159A**  
**1-Ω SPDT ANALOG SWITCH**  
**5-V/3.3-V SINGLE-CHANNEL 2:1 MULTIPLEXER/DEMULTIPLEXER**



SCDS200A–AUGUST 2005–REVISED FEBRUARY 2007

**Electrical Characteristics for 1.8-V Supply<sup>(1)</sup> (Continued)**

$V_+ = 1.65\text{ V to }1.95\text{ V}$ ,  $T_A = -40^\circ\text{C to }85^\circ\text{C}$  (unless otherwise noted)

PARAMETER	SYMBOL	TEST CONDITIONS	$T_A$	$V_+$	MIN	TYP	MAX	UNIT	
<b>Dynamic</b>									
Turn-on time	$t_{ON}$	$V_{COM} = V_+$ , $R_L = 50\ \Omega$ ,	$C_L = 35\text{ pF}$ , See <a href="#">Figure 19</a>	25°C	1.8 V	10	35	70	ns
				Full	1.65 V to 1.95 V	10		75	
Turn-off time	$t_{OFF}$	$V_{COM} = V_+$ , $R_L = 50\ \Omega$ ,	$C_L = 35\text{ pF}$ , See <a href="#">Figure 19</a>	25°C	1.8 V	2	15	40	ns
				Full	1.65 V to 1.95 V	2		50	
Break-before-make time	$t_{BBM}$	$V_{NC} = V_{NO} = V_+$ , $R_L = 50\ \Omega$ ,	$C_L = 35\text{ pF}$ , See <a href="#">Figure 20</a>	25°C	1.8 V		22		ns
				Full	1.65 V to 1.95 V	2		70	
Charge injection	$Q_C$	$V_{GEN} = 0$ , $R_{GEN} = 0$ ,	$C_L = 1\text{ nF}$ , See <a href="#">Figure 24</a>	25°C	1.8 V		-4	pC	
NC, NO off capacitance	$C_{NC(OFF)}$ , $C_{NO(OFF)}$	$V_{NC}$ or $V_{NO} = V_+$ or GND, Switch off,	See <a href="#">Figure 18</a>	25°C	1.8 V		18	pF	
NC, NO on capacitance	$C_{NC(ON)}$ , $C_{NO(ON)}$	$V_{NC}$ or $V_{NO} = V_+$ or GND, Switch on,	See <a href="#">Figure 18</a>	25°C	1.8 V		55	pF	
COM on capacitance	$C_{COM(ON)}$	$V_{COM} = V_+$ or GND, Switch on,	See <a href="#">Figure 18</a>	25°C	1.8 V		55	pF	
Digital input capacitance	$C_I$	$V_I = V_+$ or GND,	See <a href="#">Figure 18</a>	25°C	1.8 V		2	pF	
Bandwidth	BW	$R_L = 50\ \Omega$ , Switch on,	See <a href="#">Figure 21</a>	25°C	1.8 V		105	MHz	
Off isolation	$O_{ISO}$	$R_L = 50\ \Omega$ , $f = 1\text{ MHz}$ ,	Switch off, See <a href="#">Figure 22</a>	25°C	1.8 V		64	dB	
Crosstalk	$X_{TALK}$	$R_L = 50\ \Omega$ , $f = 1\text{ MHz}$ ,	Switch on, See <a href="#">Figure 23</a>	25°C	1.8 V		64	dB	
Total harmonic distortion	THD	$R_L = 600\ \Omega$ , $C_L = 50\text{ pF}$ ,	$f = 20\text{ Hz to }20\text{ kHz}$ , See <a href="#">Figure 25</a>	25°C	1.8 V		0.06	%	
<b>Supply</b>									
Positive supply current	$I_+$	$V_I = V_+$ or GND,	Switch on or off	25°C	1.95 V		5	15	$\mu\text{A}$
				Full				50	

(1) The algebraic convention, whereby the most negative value is a minimum and the most positive value is a maximum.

TYPICAL PERFORMANCE

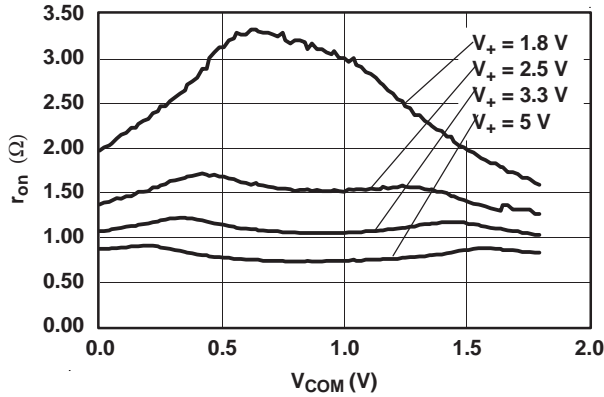


Figure 2.  $r_{on}$  vs  $V_{COM}$

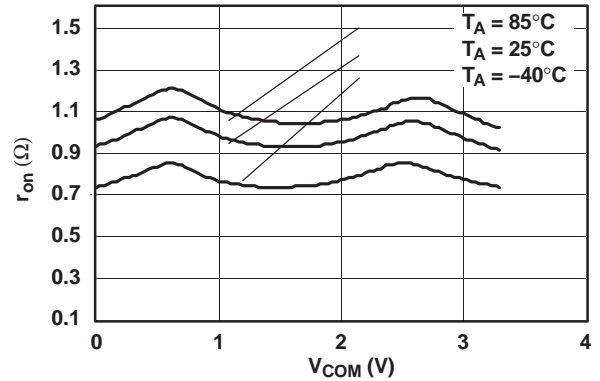


Figure 3.  $r_{on}$  vs  $V_{COM}$  ( $V_+ = 3.3$  V)

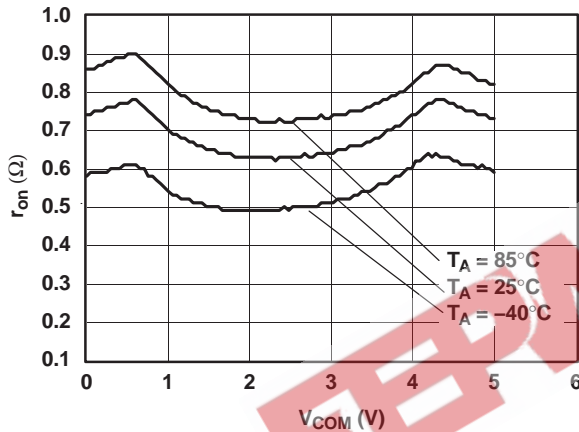


Figure 4.  $r_{on}$  vs  $V_{COM}$  ( $V_+ = 5$  V)

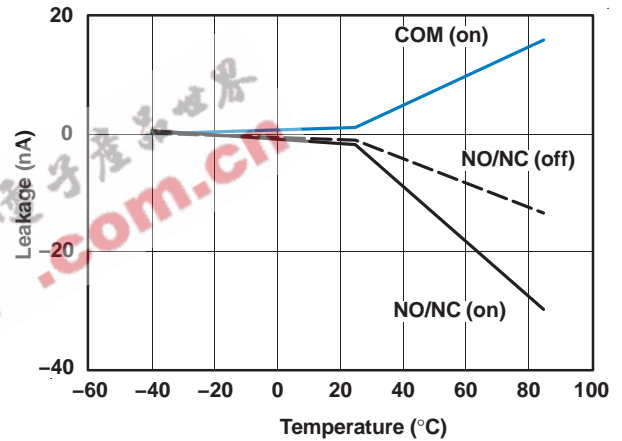


Figure 5. Leakage Current vs Temperature ( $V_+ = 3.3$  V)

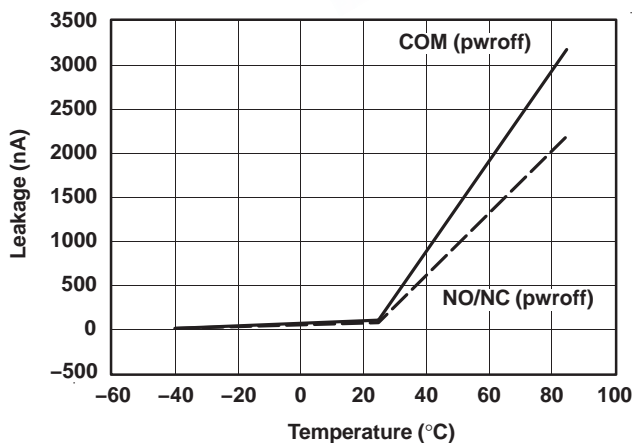


Figure 6. Leakage Current vs Temperature ( $V_+ = 5$  V)

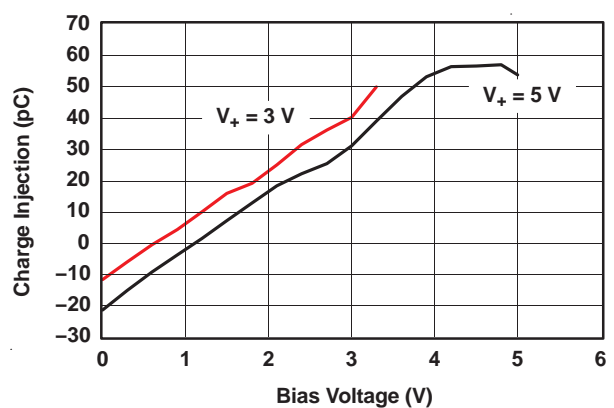


Figure 7. Charge Injection vs Bias Voltage

TYPICAL PERFORMANCE (continued)

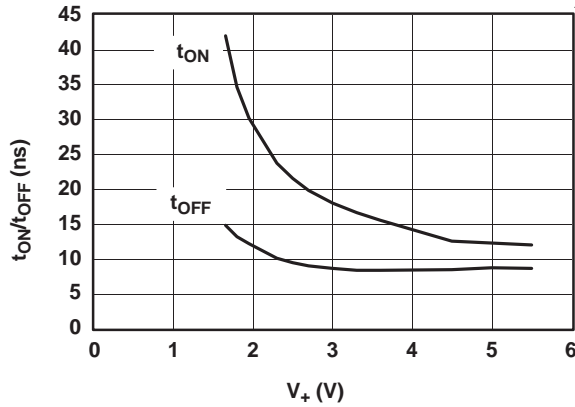


Figure 8.  $t_{ON}$  and  $t_{OFF}$  vs Supply Voltage

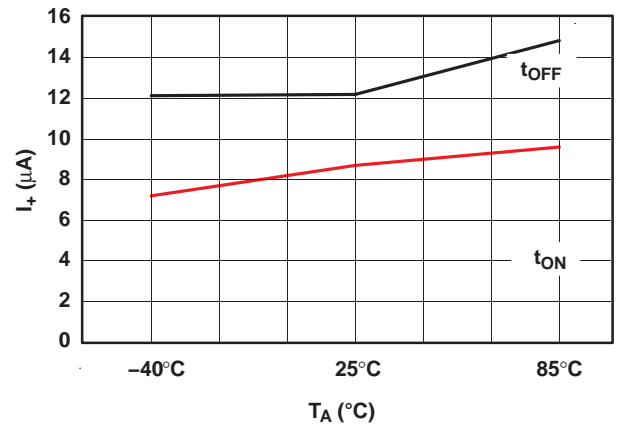


Figure 9.  $I_+$  vs Temperature

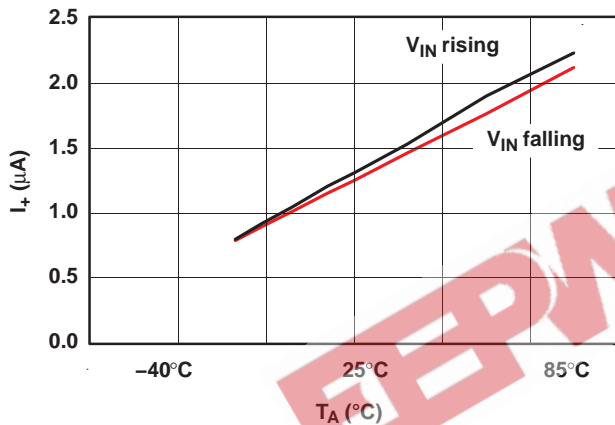


Figure 10.  $I_+$  vs Temperature

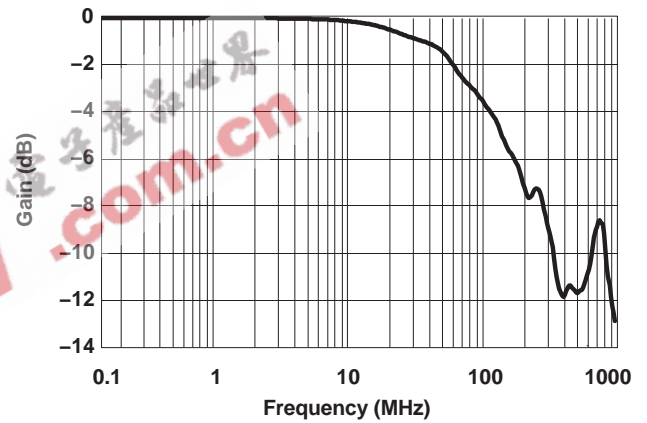


Figure 11. Bandwidth ( $V_+ = 5\text{ V}$ )

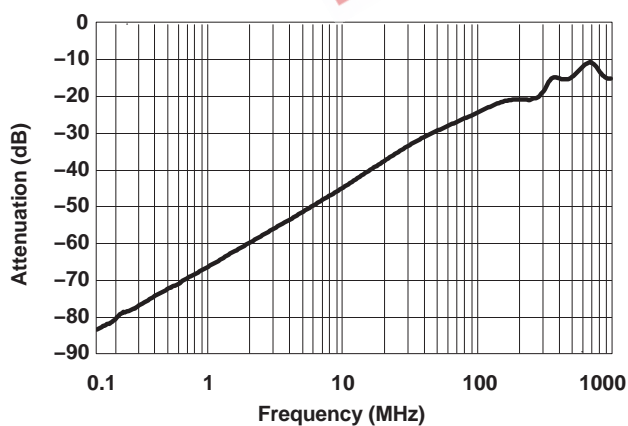


Figure 12. Attenuation vs Frequency

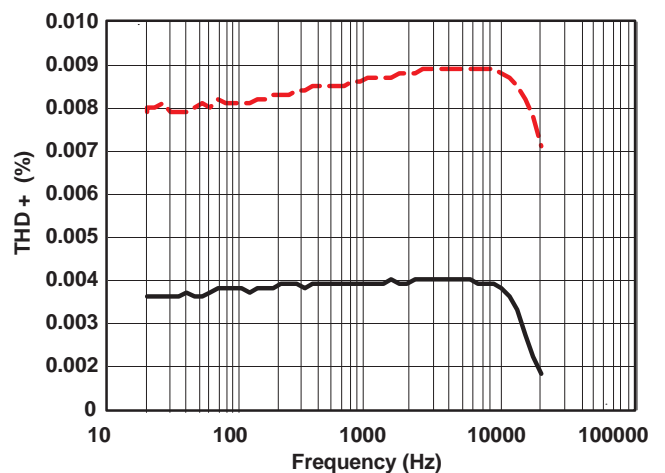
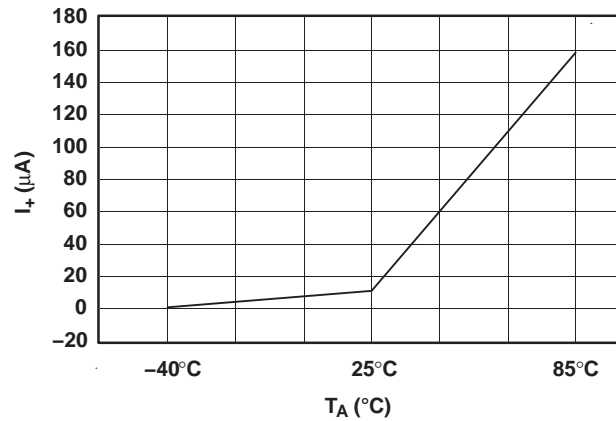


Figure 13. Total Harmonic Distortion vs Frequency ( $V_+ = 5\text{ V}$ )

**TYPICAL PERFORMANCE (continued)**



**Figure 14. Power-Supply Current vs Temperature**  
( $V_+ = 5\text{ V}$ )

**PIN DESCRIPTION**

NO.	NAME	DESCRIPTION
1	NO	Normally open
2	GND	Digital ground
3	NC	Normally closed
4	COM	Common
5	$V_+$	Power supply
6	IN	Digital control to connect COM to NO

**TS5A3159A**  
**1-Ω SPDT ANALOG SWITCH**  
**5-V/3.3-V SINGLE-CHANNEL 2:1 MULTIPLEXER/DEMULTIPLEXER**



SCDS200A – AUGUST 2005 – REVISED FEBRUARY 2007

**PARAMETER DESCRIPTION**

SYMBOL	DESCRIPTION
$V_{COM}$	Voltage at COM
$V_{NC}$	Voltage at NC
$V_{NO}$	Voltage at NO
$r_{on}$	Resistance between COM and NC or COM and NO ports when the channel is on
$r_{peak}$	Peak on-state resistance over a specified voltage range
$\Delta r_{on}$	Difference of $r_{on}$ between channels
$r_{on(Flat)}$	Difference between the maximum and minimum value of $r_{on}$ in a channel over the specified range of conditions
$I_{NC(OFF)}$	Leakage current measured at the NC port, with the corresponding channel (NC to COM) in the off state under worst-case input and output conditions
$I_{NC(PWROFF)}$	Leakage current measured at the NC port during the power-down condition, $V_+ = 0$
$I_{NO(OFF)}$	Leakage current measured at the NO port, with the corresponding channel (NO to COM) in the off state under worst-case input and output conditions
$I_{NO(PWROFF)}$	Leakage current measured at the NO port during the power-down condition, $V_+ = 0$
$I_{NC(ON)}$	Leakage current measured at the NC port, with the corresponding channel (NC to COM) in the on state and the output (COM) being open
$I_{NO(ON)}$	Leakage current measured at the NO port, with the corresponding channel (NO to COM) in the on state and the output (COM) being open
$I_{COM(ON)}$	Leakage current measured at the COM port, with the corresponding channel (COM to NO or COM to NC) in the on state and the output (NC or NO) being open
$I_{COM(PWROFF)}$	Leakage current measured at the COM port during the power-down condition, $V_+ = 0$
$V_{IH}$	Minimum input voltage for logic high for the control input (IN)
$V_{IL}$	Maximum input voltage for logic low for the control input (IN)
$V_I$	Voltage at (IN)
$I_{IH}, I_{IL}$	Leakage current measured at (IN)
$t_{ON}$	Turn-on time for the switch. This parameter is measured under the specified range of conditions and by the propagation delay between the digital control (IN) signal and analog outputs (COM, NC, or NO) signal when the switch is turning on.
$t_{OFF}$	Turn-off time for the switch. This parameter is measured under the specified range of conditions and by the propagation delay between the digital control (IN) signal and analog outputs (COM, NC, or NO) signal when the switch is turning off.
$t_{BBM}$	Break-before-make time. This parameter is measured under the specified range of conditions and by the propagation delay between the output of two adjacent analog channels (NC and NO) when the control signal changes state.
$Q_C$	Charge injection is a measurement of unwanted signal coupling from the control (IN) input to the analog (NC, NO, or COM) output. This is measured in coulomb (C) and measured by the total charge induced due to switching of the control input. Charge injection, $Q_C = C_L \times \Delta V_O$ , $C_L$ is the load capacitance and $\Delta V_O$ is the change in analog output voltage.
$C_{NC(OFF)}$	Capacitance at the NC port when the corresponding channel (NC to COM) is off
$C_{NO(OFF)}$	Capacitance at the NO port when the corresponding channel (NO to COM) is off
$C_{NC(ON)}$	Capacitance at the NC port when the corresponding channel (NC to COM) is on
$C_{NO(ON)}$	Capacitance at the NO port when the corresponding channel (NO to COM) is on
$C_{COM(ON)}$	Capacitance at the COM port when the corresponding channel (COM to NC or COM to NO) is on
$C_{IN}$	Capacitance of (IN)
OISO	OFF isolation of the switch is a measurement off-state switch impedance. This is measured in dB in a specific frequency, with the corresponding channel (NC to COM or NO to COM) in the off state.
$X_{TALK}$	Crosstalk is a measurement of unwanted signal coupling from an on channel to an off channel (NC to NO or NO to NC). This is measured in a specific frequency and in dB.
BW	Bandwidth of the switch. This is the frequency in which the gain of an on channel is –3 dB below the DC gain.
THD	Total harmonic distortion describes the signal distortion caused by the analog switch. This is defined as the ratio or root mean square (RMS) value of the second, third, and higher harmonic to the absolute magnitude of the fundamental harmonic.
$I_+$	Static power supply current with the control (IN) pin at $V_+$ or GND



PARAMETER MEASUREMENT INFORMATION

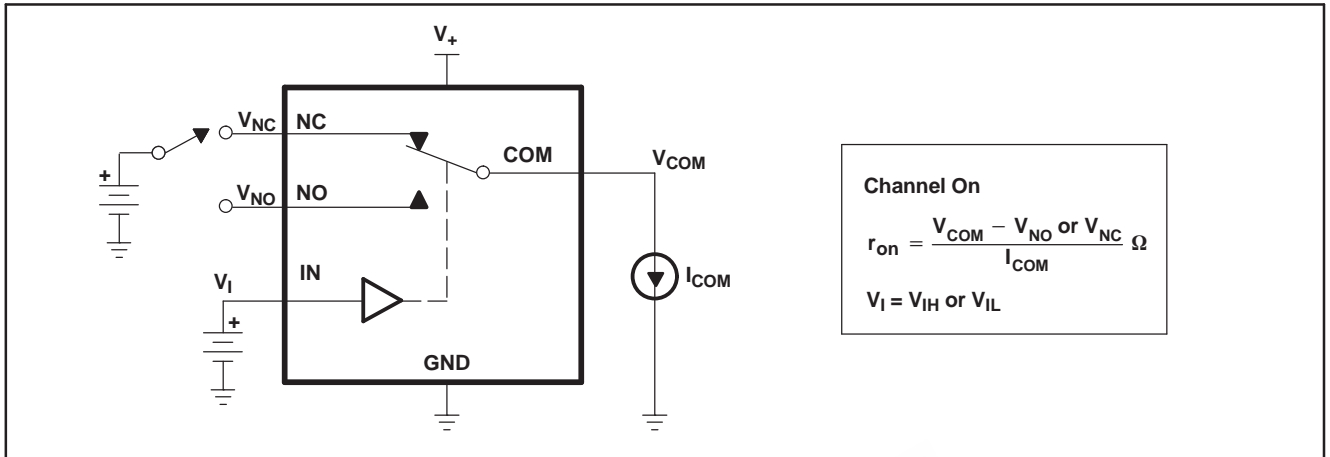


Figure 15. On-State Resistance ( $r_{on}$ )

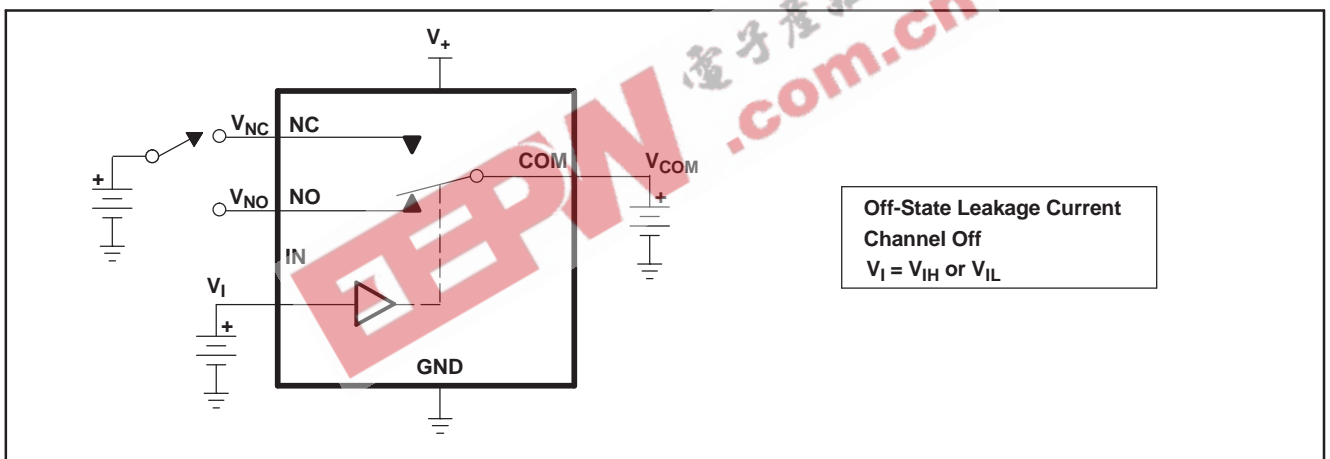


Figure 16. OFF-State Leakage Current ( $I_{NC(OFF)}$ ,  $I_{NC(PWROFF)}$ ,  $I_{NO(OFF)}$ ,  $I_{NO(PWROFF)}$ ,  $I_{COM(OFF)}$ ,  $I_{COM(PWROFF)}$ )

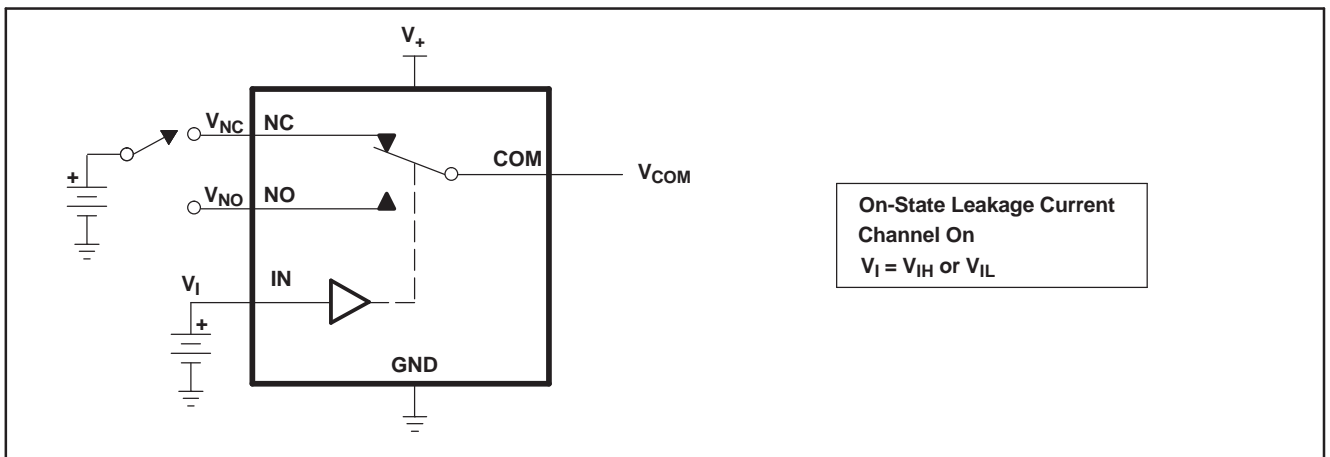


Figure 17. On-State Leakage Current ( $I_{COM(ON)}$ ,  $I_{NC(ON)}$ ,  $I_{NO(ON)}$ )

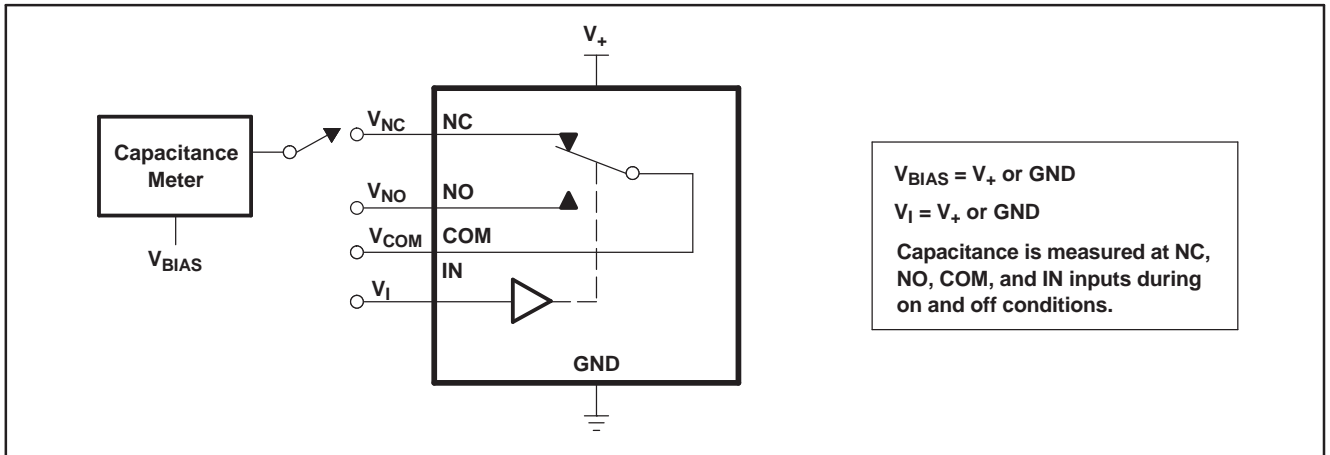
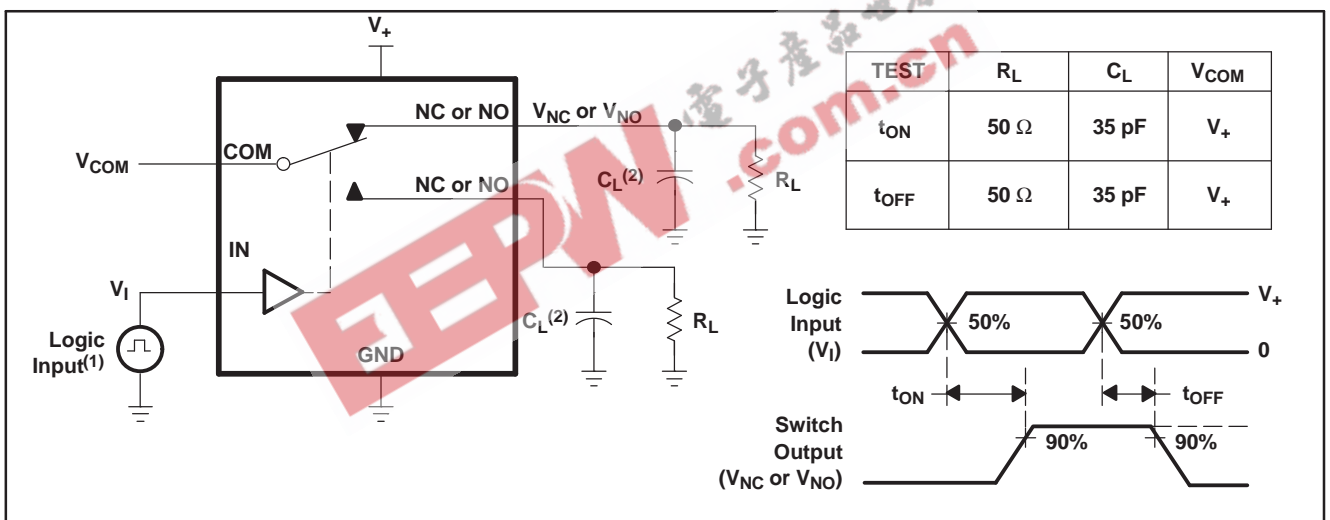
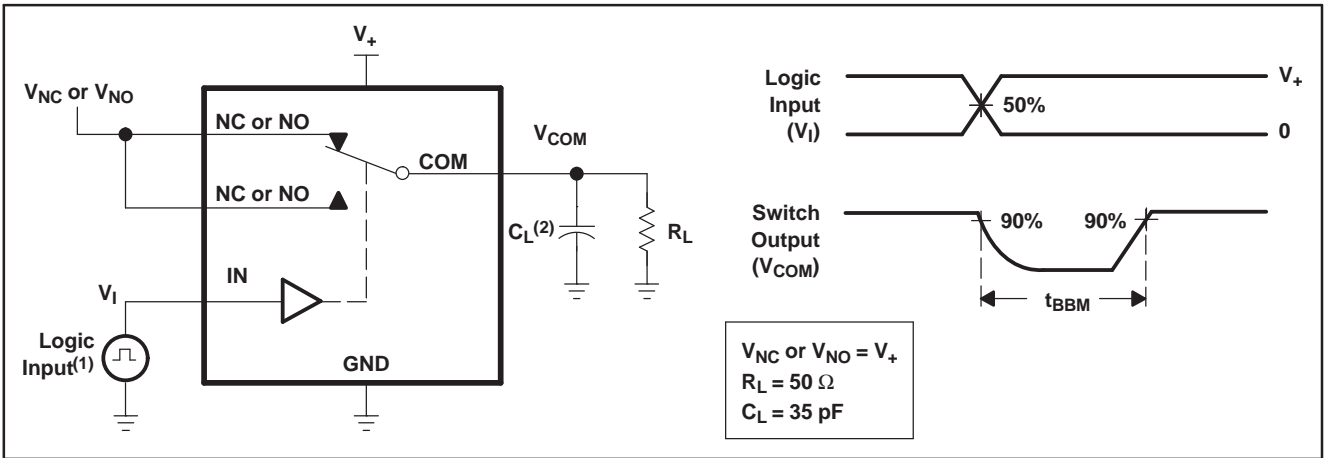


Figure 18. Capacitance ( $C_I$ ,  $C_{COM(ON)}$ ,  $C_{NC(OFF)}$ ,  $C_{NO(OFF)}$ ,  $C_{NC(ON)}$ ,  $C_{NO(ON)}$ )



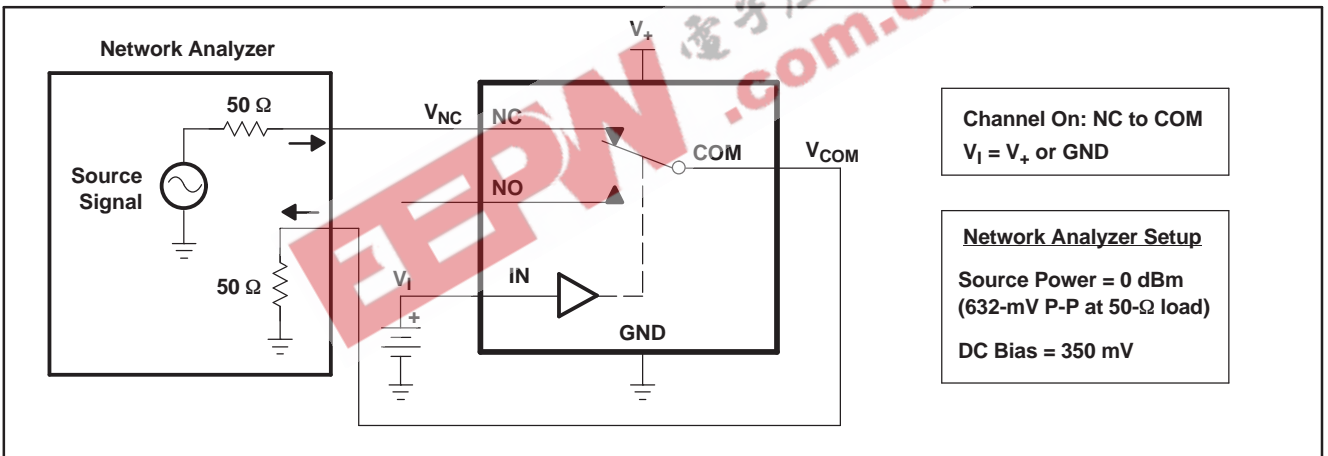
- A. All input pulses are supplied by generators having the following characteristics:  $PRR \leq 10$  MHz,  $Z_O = 50 \Omega$ ,  $t_r < 5$  ns,  $t_f < 5$  ns.
- B.  $C_L$  includes probe and jig capacitance.

Figure 19. Turn-On ( $t_{ON}$ ) and Turn-Off Time ( $t_{OFF}$ )

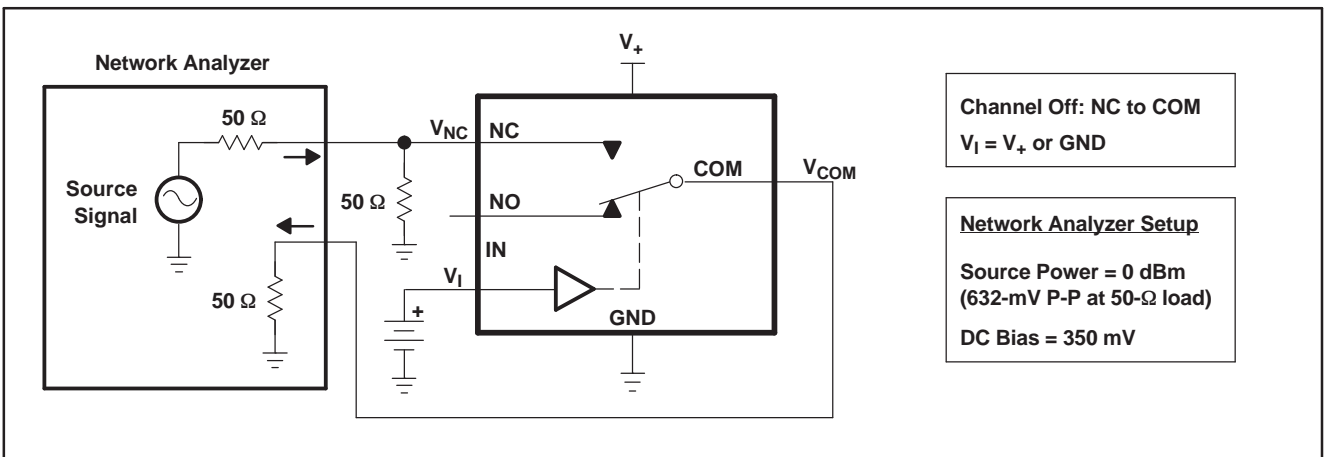


- A. All input pulses are supplied by generators having the following characteristics:  $PRR \leq 10 \text{ MHz}$ ,  $Z_O = 50 \Omega$ ,  $t_r < 5 \text{ ns}$ ,  $t_f < 5 \text{ ns}$ .
- B.  $C_L$  includes probe and jig capacitance.

**Figure 20. Break-Before-Make Time ( $t_{BBM}$ )**



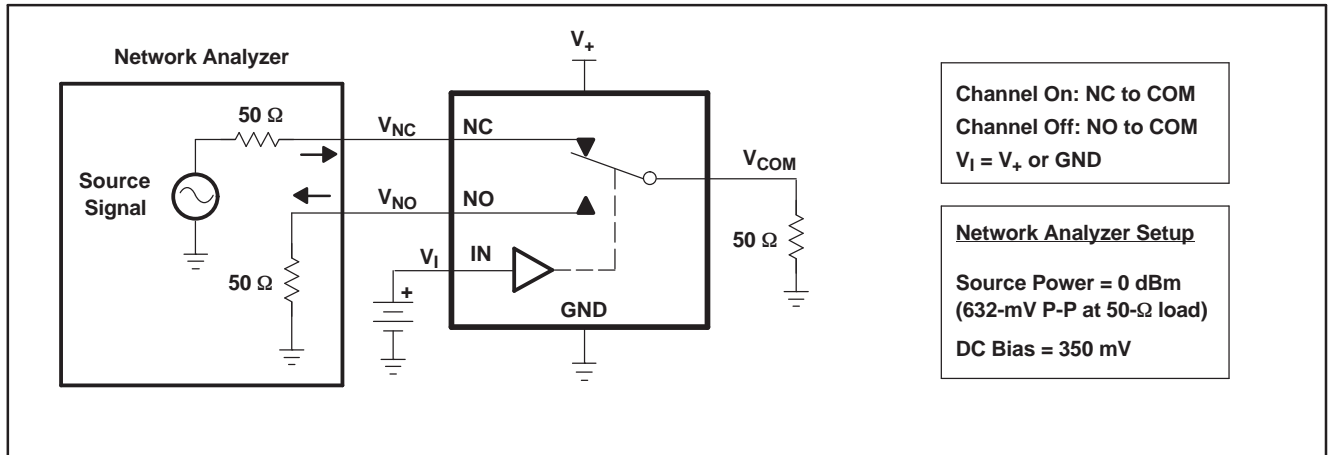
**Figure 21. Bandwidth (BW)**



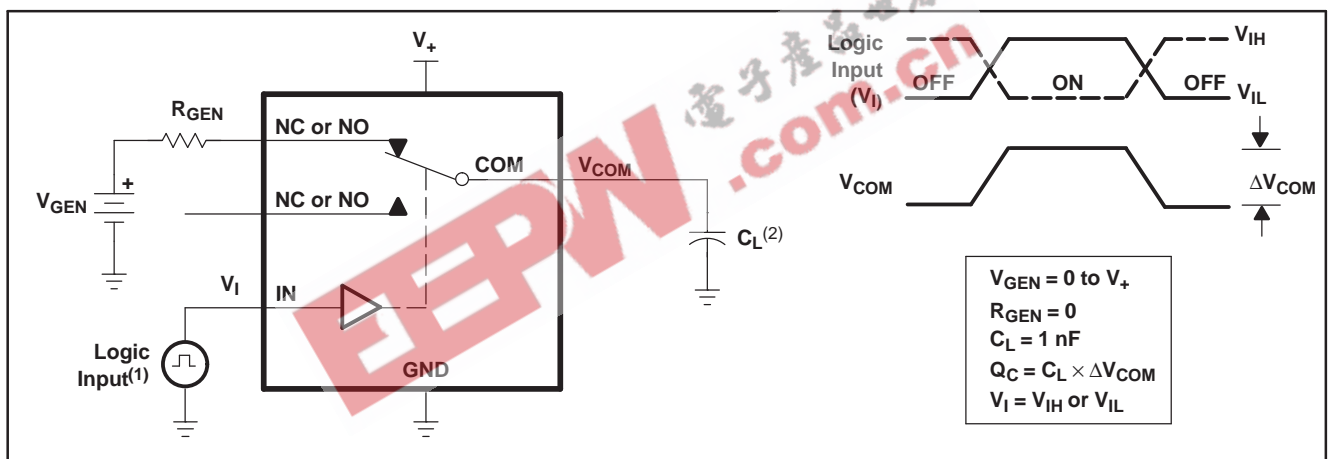
**Figure 22. OFF Isolation (OISO)**

**TS5A3159A**  
**1-Ω SPDT ANALOG SWITCH**  
**5-V/3.3-V SINGLE-CHANNEL 2:1 MULTIPLEXER/DEMULTIPLEXER**

SCDS200A—AUGUST 2005—REVISED FEBRUARY 2007

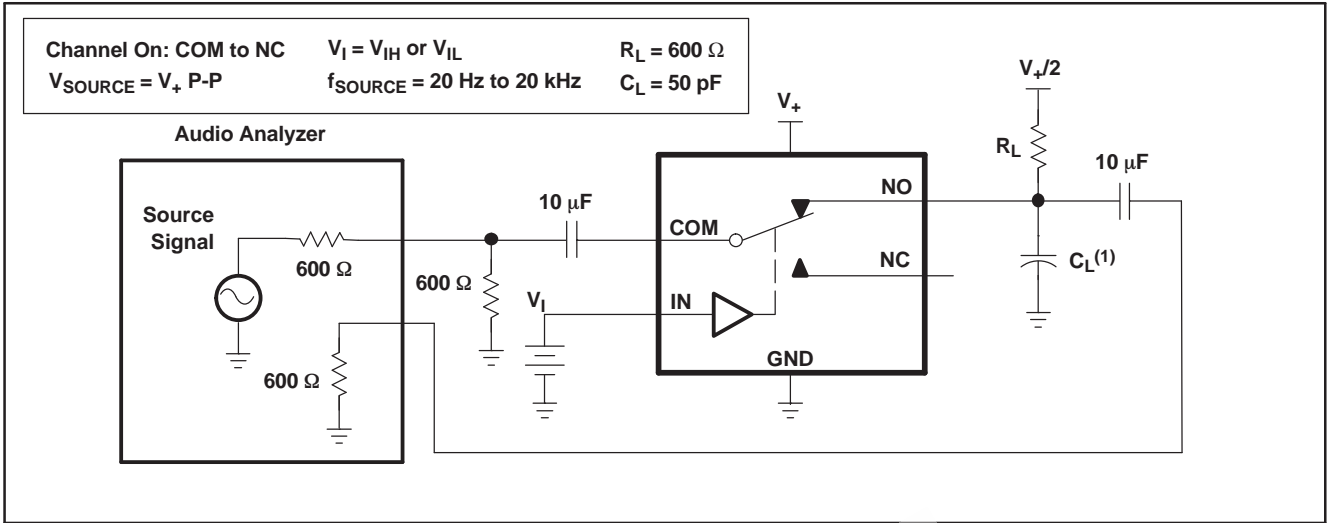


**Figure 23. Crosstalk ( $X_{TALK}$ )**



- A. All input pulses are supplied by generators having the following characteristics:  $PRR \leq 10 \text{ MHz}$ ,  $Z_0 = 50 \Omega$ ,  $t_r < 5 \text{ ns}$ ,  $t_f < 5 \text{ ns}$ .
- B.  $C_L$  includes probe and jig capacitance.

**Figure 24. Charge Injection ( $Q_C$ )**



A.  $C_L$  includes probe and jig capacitance.

**Figure 25. Total Harmonic Distortion (THD)**



**PACKAGING INFORMATION**

Orderable Device	Status <sup>(1)</sup>	Package Type	Package Drawing	Pins	Package Qty	Eco Plan <sup>(2)</sup>	Lead/Ball Finish	MSL Peak Temp <sup>(3)</sup>
TS5A3159ADBVR	ACTIVE	SOT-23	DBV	6	3000	Green (RoHS & no Sb/Br)	CU NIPDAU	Level-1-260C-UNLIM
TS5A3159ADBVRE4	ACTIVE	SOT-23	DBV	6	3000	Green (RoHS & no Sb/Br)	CU NIPDAU	Level-1-260C-UNLIM
TS5A3159ADBVT	ACTIVE	SOT-23	DBV	6	250	Green (RoHS & no Sb/Br)	CU NIPDAU	Level-1-260C-UNLIM
TS5A3159ADBVTE4	ACTIVE	SOT-23	DBV	6	250	Green (RoHS & no Sb/Br)	CU NIPDAU	Level-1-260C-UNLIM
TS5A3159ADCKR	ACTIVE	SC70	DCK	6	3000	Green (RoHS & no Sb/Br)	CU NIPDAU	Level-1-260C-UNLIM
TS5A3159ADCKRE4	ACTIVE	SC70	DCK	6	3000	Green (RoHS & no Sb/Br)	CU NIPDAU	Level-1-260C-UNLIM
TS5A3159ADCKRG4	ACTIVE	SC70	DCK	6	3000	Green (RoHS & no Sb/Br)	CU NIPDAU	Level-1-260C-UNLIM
TS5A3159ADCKT	ACTIVE	SC70	DCK	6	250	Green (RoHS & no Sb/Br)	CU NIPDAU	Level-1-260C-UNLIM
TS5A3159ADCKTE4	ACTIVE	SC70	DCK	6	250	Green (RoHS & no Sb/Br)	CU NIPDAU	Level-1-260C-UNLIM
TS5A3159ADCKTG4	ACTIVE	SC70	DCK	6	250	Green (RoHS & no Sb/Br)	CU NIPDAU	Level-1-260C-UNLIM
TS5A3159AYZPR	ACTIVE	WCSP	YZP	6	3000	Green (RoHS & no Sb/Br)	SNAGCU	Level-1-260C-UNLIM

<sup>(1)</sup> The marketing status values are defined as follows:

**ACTIVE:** Product device recommended for new designs.

**LIFEBUY:** TI has announced that the device will be discontinued, and a lifetime-buy period is in effect.

**NRND:** Not recommended for new designs. Device is in production to support existing customers, but TI does not recommend using this part in a new design.

**PREVIEW:** Device has been announced but is not in production. Samples may or may not be available.

**OBSOLETE:** TI has discontinued the production of the device.

<sup>(2)</sup> Eco Plan - The planned eco-friendly classification: Pb-Free (RoHS), Pb-Free (RoHS Exempt), or Green (RoHS & no Sb/Br) - please check <http://www.ti.com/productcontent> for the latest availability information and additional product content details.

**TBD:** The Pb-Free/Green conversion plan has not been defined.

**Pb-Free (RoHS):** TI's terms "Lead-Free" or "Pb-Free" mean semiconductor products that are compatible with the current RoHS requirements for all 6 substances, including the requirement that lead not exceed 0.1% by weight in homogeneous materials. Where designed to be soldered at high temperatures, TI Pb-Free products are suitable for use in specified lead-free processes.

**Pb-Free (RoHS Exempt):** This component has a RoHS exemption for either 1) lead-based flip-chip solder bumps used between the die and package, or 2) lead-based die adhesive used between the die and leadframe. The component is otherwise considered Pb-Free (RoHS compatible) as defined above.

**Green (RoHS & no Sb/Br):** TI defines "Green" to mean Pb-Free (RoHS compatible), and free of Bromine (Br) and Antimony (Sb) based flame retardants (Br or Sb do not exceed 0.1% by weight in homogeneous material)

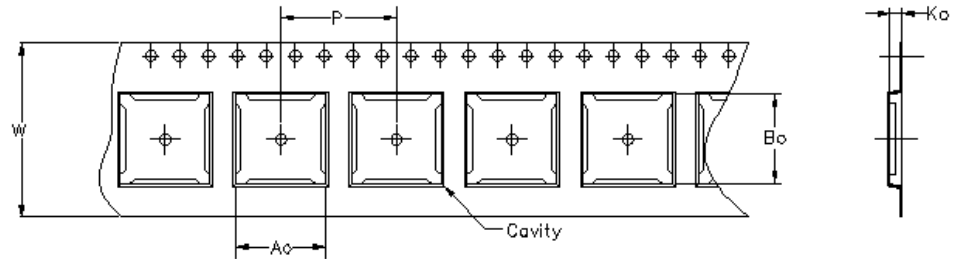
<sup>(3)</sup> MSL, Peak Temp. -- The Moisture Sensitivity Level rating according to the JEDEC industry standard classifications, and peak solder temperature.

**Important Information and Disclaimer:** The information provided on this page represents TI's knowledge and belief as of the date that it is provided. TI bases its knowledge and belief on information provided by third parties, and makes no representation or warranty as to the accuracy of such information. Efforts are underway to better integrate information from third parties. TI has taken and continues to take reasonable steps to provide representative and accurate information but may not have conducted destructive testing or chemical analysis on incoming materials and chemicals. TI and TI suppliers consider certain information to be proprietary, and thus CAS numbers and other limited information may not be available for release.

In no event shall TI's liability arising out of such information exceed the total purchase price of the TI part(s) at issue in this document sold by TI

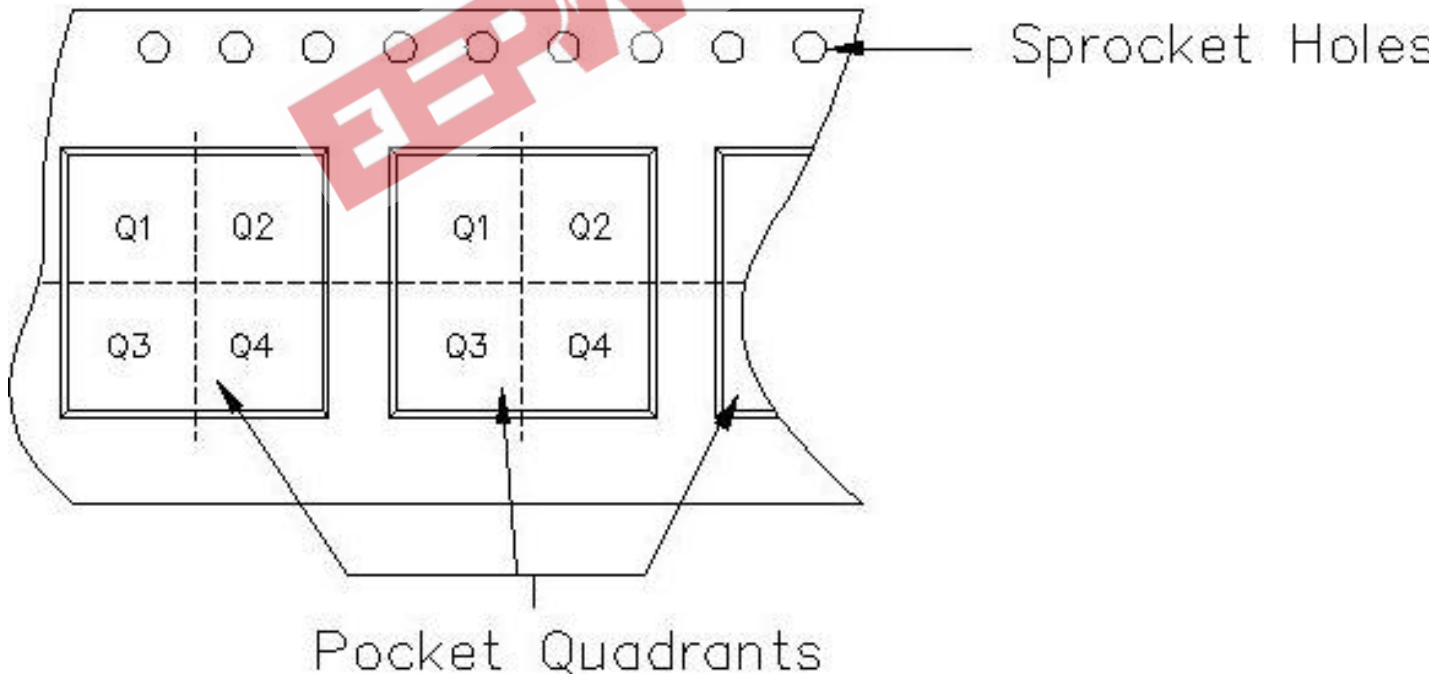
to Customer on an annual basis.

**EEPW** 电子產品世界  
.com.cn



Carrier tape design is defined largely by the component length, width, and thickness.

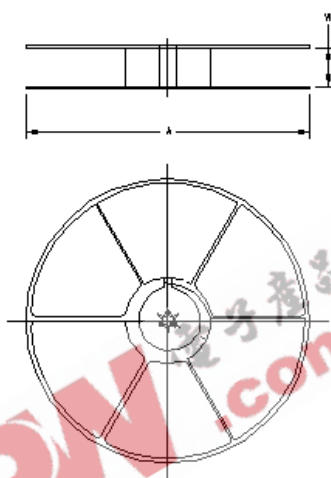
$A_o$ = Dimension designed to accommodate the component width.
$B_o$ = Dimension designed to accommodate the component length.
$K_o$ = Dimension designed to accommodate the component thickness.
$W$ = Overall width of the carrier tape.
$P$ = Pitch between successive cavity centers.



**TAPE AND REEL INFORMATION**

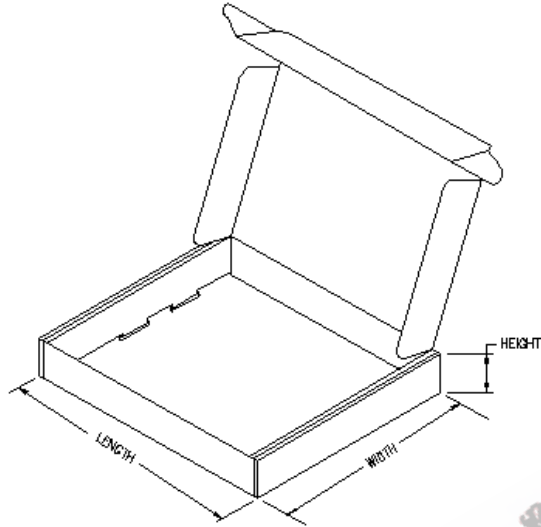


Device	Package	Pins	Site	Reel Diameter (mm)	Reel Width (mm)	A0 (mm)	B0 (mm)	K0 (mm)	P1 (mm)	W (mm)	Pin1 Quadrant
TS5A3159ADBVR	DBV	6	HNT	180	9	3.23	3.17	1.37	4	8	Q3
TS5A3159ADBVT	DBV	6	HNT	180	9	3.23	3.17	1.37	4	8	Q3
TS5A3159ADCKR	DCK	6	HNT	180	9	2.24	2.34	1.22	4	8	Q3
TS5A3159ADCKT	DCK	6	HNT	180	9	2.24	2.34	1.22	4	8	Q3
TS5A3159AYZPR	YZP	6	ASEK	180	8	1.02	1.52	0.66	4	8	Q1



**TAPE AND REEL BOX INFORMATION**

Device	Package	Pins	Site	Length (mm)	Width (mm)	Height (mm)
TS5A3159ADBVR	DBV	6	HNT	202.0	201.0	28.0
TS5A3159ADBVT	DBV	6	HNT	202.0	201.0	28.0
TS5A3159ADCKR	DCK	6	HNT	202.0	201.0	28.0
TS5A3159ADCKT	DCK	6	HNT	202.0	201.0	28.0
TS5A3159AYZPR	YZP	6	ASEK	220.0	220.0	34.0

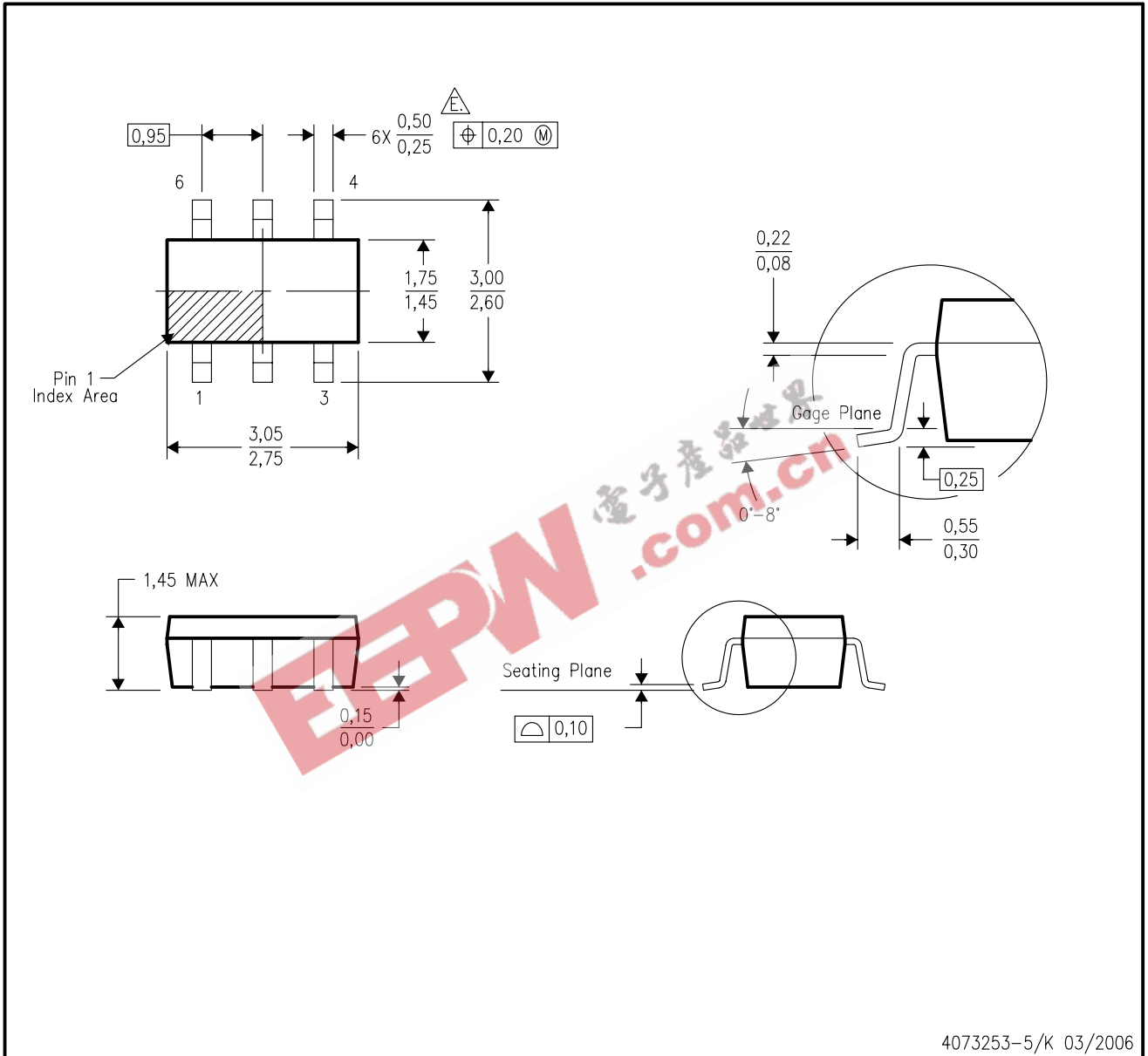


**EEPW** 电子产品世界  
.com.cn

# MECHANICAL DATA

DBV (R-PDSO-G6)

PLASTIC SMALL-OUTLINE PACKAGE

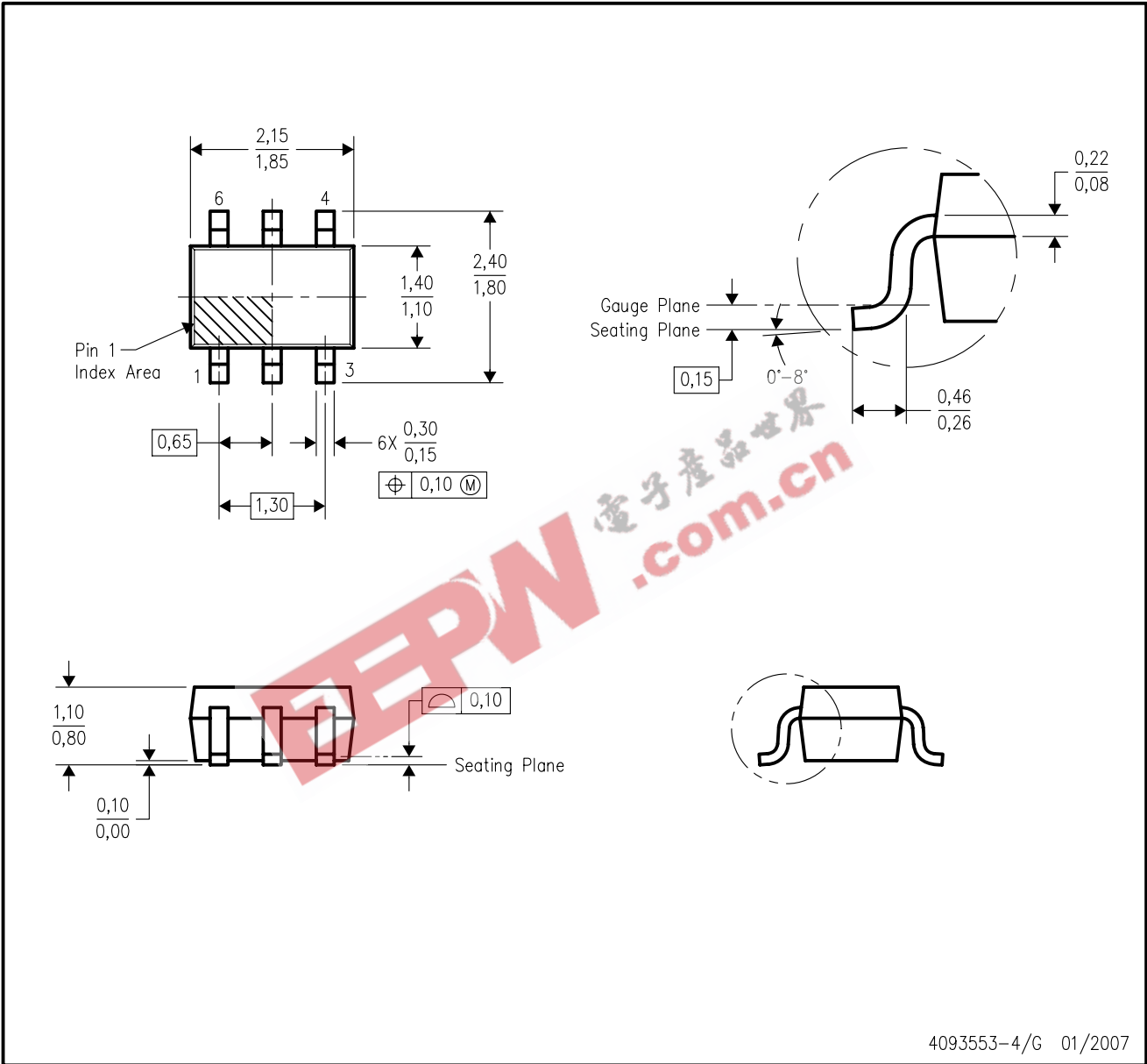


- NOTES:
- A. All linear dimensions are in millimeters.
  - B. This drawing is subject to change without notice.
  - C. Body dimensions do not include mold flash or protrusion. Mold flash and protrusion shall not exceed 0.15 per side.
  - D. Leads 1,2,3 may be wider than leads 4,5,6 for package orientation.
- $\triangle E$  Falls within JEDEC MO-178 Variation AB, except minimum lead width.

# MECHANICAL DATA

DCK (R-PDSO-G6)

PLASTIC SMALL-OUTLINE PACKAGE

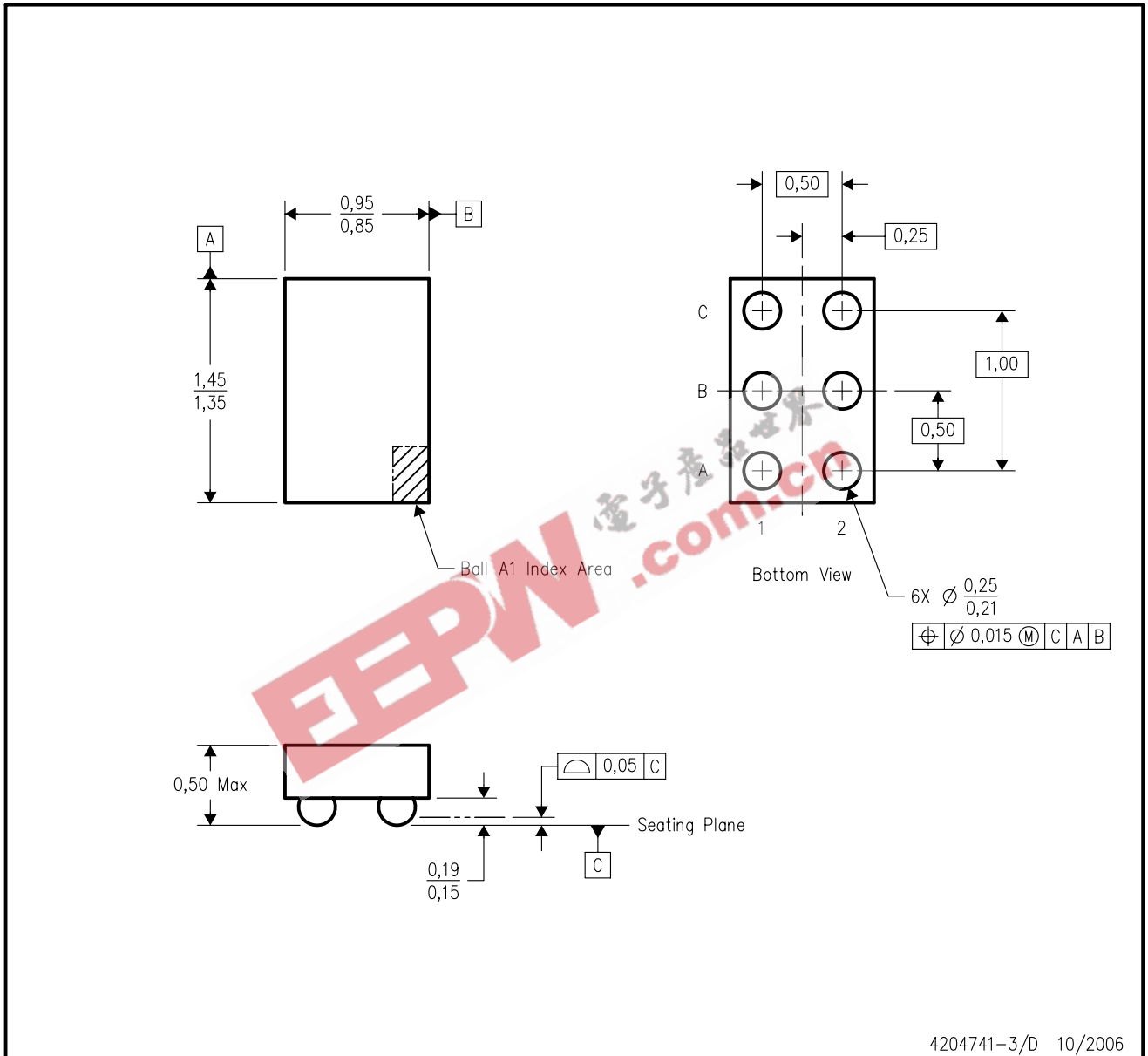


- NOTES:
- A. All linear dimensions are in millimeters.
  - B. This drawing is subject to change without notice.
  - C. Body dimensions do not include mold flash or protrusion. Mold flash and protrusion shall not exceed 0.15 per side.
  - D. Falls within JEDEC MO-203 variation AB.

# MECHANICAL DATA

YZP (R-XBGA-N6)

DIE-SIZE BALL GRID ARRAY



- NOTES:
- A. All linear dimensions are in millimeters. Dimensioning and tolerancing per ASME Y14.5M-1994.
  - B. This drawing is subject to change without notice.
  - C. NanoFree™ package configuration.
  - D. This package is lead-free. Refer to the 6 YEP package (drawing 4204725) for tin-lead (SnPb).

NanoFree is a trademark of Texas Instruments.

## IMPORTANT NOTICE

Texas Instruments Incorporated and its subsidiaries (TI) reserve the right to make corrections, modifications, enhancements, improvements, and other changes to its products and services at any time and to discontinue any product or service without notice. Customers should obtain the latest relevant information before placing orders and should verify that such information is current and complete. All products are sold subject to TI's terms and conditions of sale supplied at the time of order acknowledgment.

TI warrants performance of its hardware products to the specifications applicable at the time of sale in accordance with TI's standard warranty. Testing and other quality control techniques are used to the extent TI deems necessary to support this warranty. Except where mandated by government requirements, testing of all parameters of each product is not necessarily performed.

TI assumes no liability for applications assistance or customer product design. Customers are responsible for their products and applications using TI components. To minimize the risks associated with customer products and applications, customers should provide adequate design and operating safeguards.

TI does not warrant or represent that any license, either express or implied, is granted under any TI patent right, copyright, mask work right, or other TI intellectual property right relating to any combination, machine, or process in which TI products or services are used. Information published by TI regarding third-party products or services does not constitute a license from TI to use such products or services or a warranty or endorsement thereof. Use of such information may require a license from a third party under the patents or other intellectual property of the third party, or a license from TI under the patents or other intellectual property of TI.

Reproduction of information in TI data books or data sheets is permissible only if reproduction is without alteration and is accompanied by all associated warranties, conditions, limitations, and notices. Reproduction of this information with alteration is an unfair and deceptive business practice. TI is not responsible or liable for such altered documentation.

Resale of TI products or services with statements different from or beyond the parameters stated by TI for that product or service voids all express and any implied warranties for the associated TI product or service and is an unfair and deceptive business practice. TI is not responsible or liable for any such statements.

TI products are not authorized for use in safety-critical applications (such as life support) where a failure of the TI product would reasonably be expected to cause severe personal injury or death, unless officers of the parties have executed an agreement specifically governing such use. Buyers represent that they have all necessary expertise in the safety and regulatory ramifications of their applications, and acknowledge and agree that they are solely responsible for all legal, regulatory and safety-related requirements concerning their products and any use of TI products in such safety-critical applications, notwithstanding any applications-related information or support that may be provided by TI. Further, Buyers must fully indemnify TI and its representatives against any damages arising out of the use of TI products in such safety-critical applications.

TI products are neither designed nor intended for use in military/aerospace applications or environments unless the TI products are specifically designated by TI as military-grade or "enhanced plastic." Only products designated by TI as military-grade meet military specifications. Buyers acknowledge and agree that any such use of TI products which TI has not designated as military-grade is solely at the Buyer's risk, and that they are solely responsible for compliance with all legal and regulatory requirements in connection with such use.

TI products are neither designed nor intended for use in automotive applications or environments unless the specific TI products are designated by TI as compliant with ISO/TS 16949 requirements. Buyers acknowledge and agree that, if they use any non-designated products in automotive applications, TI will not be responsible for any failure to meet such requirements.

Following are URLs where you can obtain information on other Texas Instruments products and application solutions:

<b>Products</b>		<b>Applications</b>	
Amplifiers	<a href="http://amplifier.ti.com">amplifier.ti.com</a>	Audio	<a href="http://www.ti.com/audio">www.ti.com/audio</a>
Data Converters	<a href="http://dataconverter.ti.com">dataconverter.ti.com</a>	Automotive	<a href="http://www.ti.com/automotive">www.ti.com/automotive</a>
DSP	<a href="http://dsp.ti.com">dsp.ti.com</a>	Broadband	<a href="http://www.ti.com/broadband">www.ti.com/broadband</a>
Interface	<a href="http://interface.ti.com">interface.ti.com</a>	Digital Control	<a href="http://www.ti.com/digitalcontrol">www.ti.com/digitalcontrol</a>
Logic	<a href="http://logic.ti.com">logic.ti.com</a>	Military	<a href="http://www.ti.com/military">www.ti.com/military</a>
Power Mgmt	<a href="http://power.ti.com">power.ti.com</a>	Optical Networking	<a href="http://www.ti.com/opticalnetwork">www.ti.com/opticalnetwork</a>
Microcontrollers	<a href="http://microcontroller.ti.com">microcontroller.ti.com</a>	Security	<a href="http://www.ti.com/security">www.ti.com/security</a>
RFID	<a href="http://www.ti-rfid.com">www.ti-rfid.com</a>	Telephony	<a href="http://www.ti.com/telephony">www.ti.com/telephony</a>
Low Power Wireless	<a href="http://www.ti.com/lpw">www.ti.com/lpw</a>	Video & Imaging	<a href="http://www.ti.com/video">www.ti.com/video</a>
		Wireless	<a href="http://www.ti.com/wireless">www.ti.com/wireless</a>

Mailing Address: Texas Instruments, Post Office Box 655303, Dallas, Texas 75265  
Copyright © 2007, Texas Instruments Incorporated