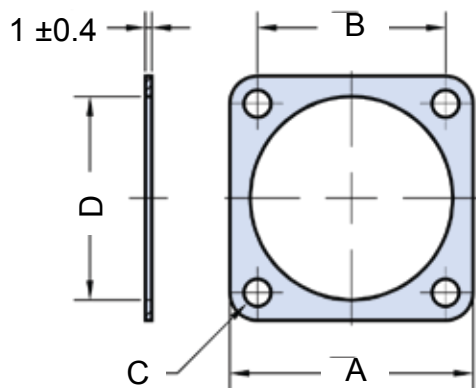
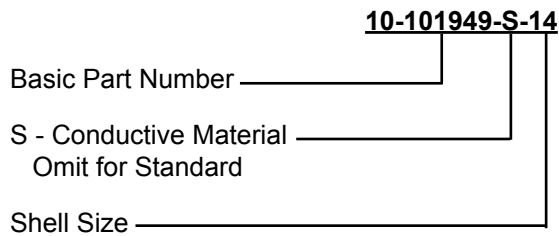
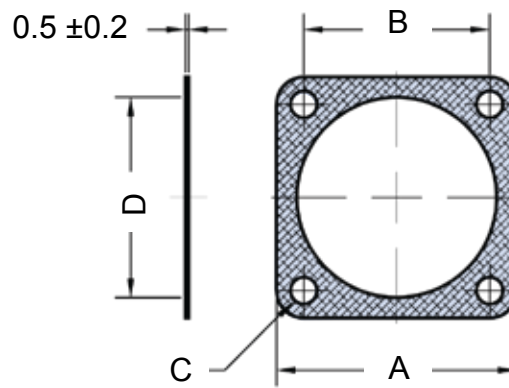


10-101949 and 10-101949-S Square Flange Panel Mount Receptacle Sealing Gaskets



Example: 10-101949
(Neoprene)



Example: 10-101949-S
(Conductive)

| TABLE I | | | | | |
|--------------|------------|-----------|---------|-----------|-----------|
| Commital P/N | Shell size | A ±0.5 | B ±1 | C ±0.7 | D ±0.5 |
| 10-101949- 8 | 8 | 20.6 | 15.10 | 3.3 | 12.7 |
| 10-101949-10 | 10 | 23.8 | 18.25 | 3.3 | 15.9 |
| 10-101949-12 | 12 | 26.2 | 20.60 | 3.3 | 19.1 |
| 10-101949-14 | 14 | 28.6 | 23.00 | 3.3 | 22.3 |
| 10-101949-16 | 16 | 31.0 | 24.60 | 3.3 | 25.5 |
| 10-101949-18 | 18 | 33.3 | 27.00 | 3.3 | 28.6 |
| 10-101949-20 | 20 | 36.5 | 29.35 | 3.3 | 31.8 |
| 10-101949-22 | 22 | 39.7 | 31.75 | 3.3 | 35.0 |
| 10-101949-24 | 24 | 42.9 | 34.90 | 4.0 | 38.2 |