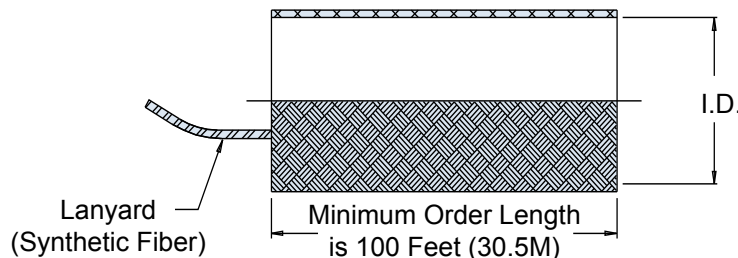
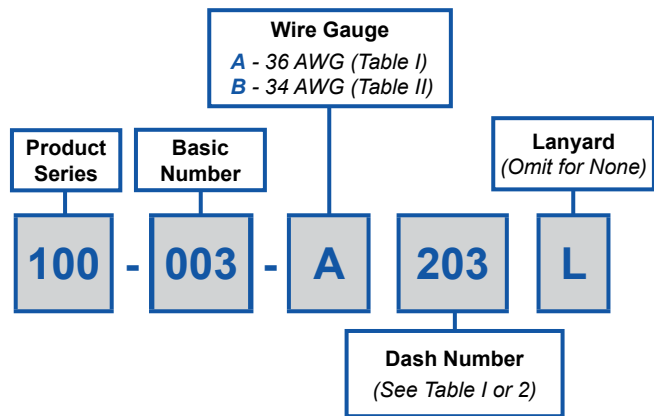




**100-003**  
**Tubular Metal Braid ASTM B355 Class 4 OFHC**  
**Nickel Plated Copper**  
**for EMI Shielding Applications**



**APPLICATION NOTES**

1. Consult factory for sizes not shown
2. Metric dimensions (mm) are indicated in parentheses.
3. Direct current ratings are given for information only. Values shown are for uninsulated braid in free air at 86°F (30°C). Actual values will depend on permissible temperature rise, voltage drop and other conditions of service. Values should be de-rated if the braid is insulated or in close contact with other components.



**100-003**  
**Tubular Metal Braid ASTM B355 Class 4 OFHC**  
**Nickel Plated Copper**  
**for EMI Shielding Applications**



**TABLE I (36 AWG)**

Dash No.	Fractional Equivalent	Nominal I.D.	No. of Carriers	No. of Ends	Current Rating Amps	Lbs./100 Ft. (Kg/30.5M)
031	1/32	.031 (.8)	24	24	7.0	.20 (.09)
062	1/16	.062 (1.6)	24	48	11.0	.40 (.18)
078	5/64	.078 (2.0)	24	72	16.0	.60 (.27)
109	7/64	.109 (2.8)	24	96	19.0	.83 (.38)
125	1/8	.125 (3.2)	24	120	25.0	1.03 (.47)
156	5/32	.156 (4.0)	24	240	40.0	2.09 (.95)
171	11/64	.171 (4.3)	24	168	32.0	1.43 (.65)
188	3/16	.188 (4.8)	24	192	33.0	1.63 (.74)
203	13/64	.203 (5.2)	24	312	46.0	2.80 (1.27)
250	1/4	.250 (6.4)	24	384	53.0	3.45 (1.56)
375	3/8	.375 (9.5)	48	384	53.0	3.95 (1.79)
500	1/2	.500 (12.7)	48	528	62.0	4.77 (2.16)
562	9/16	.562 (14.3)	48	624	73.0	5.00 (2.27)
625	5/8	.625 (15.9)	48	720	85.0	5.94 (2.69)
781	25/32	.781 (19.8)	48	864	88.0	7.35 (3.33)
937	15/16	.937 (23.8)	64	640	65.0	5.83 (2.64)
1000	1	1.000 (25.4)	64	768	90.0	7.50 (3.40)
1250	1 1/4	1.250 (31.8)	72	792		
1375	1 3/8	1.375 (34.9)	72	864		
1500	1 1/2	1.500 (38.1)	72	936		
2000	2	2.000 (50.8)	96	1152		
2500	2 1/2	2.500 (63.5)	96	1248		

**TABLE II (34 AWG)**

Dash No.	Fractional Equivalent	Nominal I.D.	No. of Carriers	No. of Ends	Current Rating Amps	Lbs./100 Ft. (Kg/30.5M)
062	1/16	.062 (1.6)	16	32	11.0	.43 (.20)
109	7/64	.109 (2.8)	16	64	19.0	.82 (.37)
125	1/8	.125 (3.2)	24	72	19.0	.92 (.42)
171	11/64	.171 (4.3)	24	120	36.0	1.56 (.71)
203	13/64	.203 (5.2)	24	192	46.0	2.79 (1.27)
375	3/8	.375 (9.5)	48	240	53.0	3.27 (1.48)
437	7/16	.437 (11.1)	48	288	44.2	3.93 (1.78)
500	1/2	.500 (12.7)	48	336	62.0	4.77 (2.16)
781	25/32	.781 (19.8)	48	528	88.0	7.14 (3.24)
1000	1	1.000 (25.4)	64	576	150.0	7.33 (3.33)
1250	1 1/4	1.250 (31.8)	72	648		