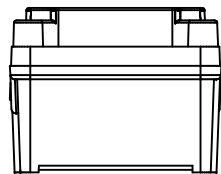
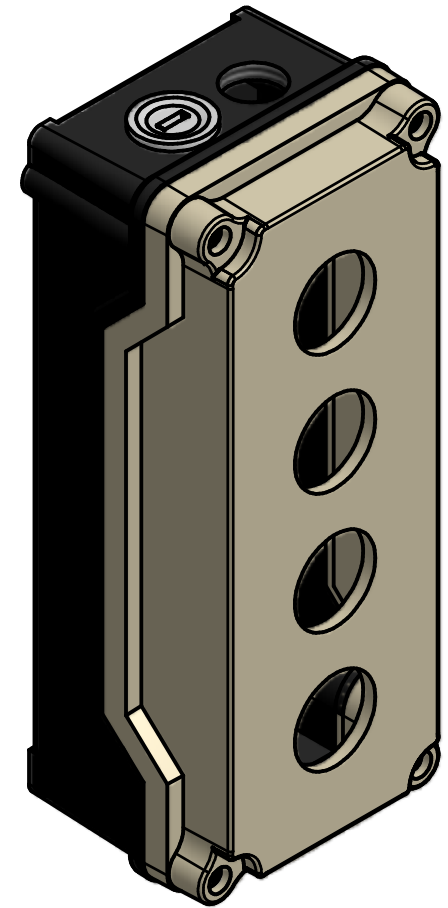
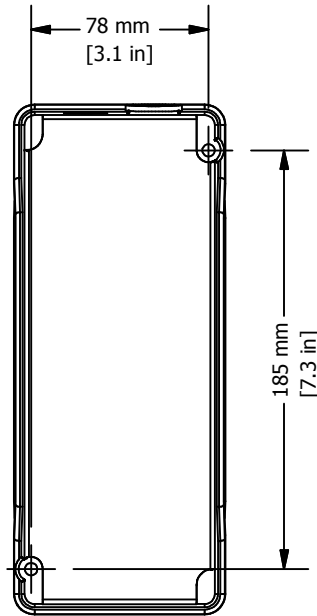
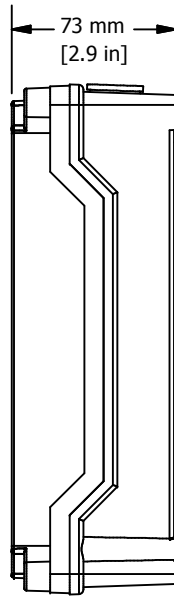
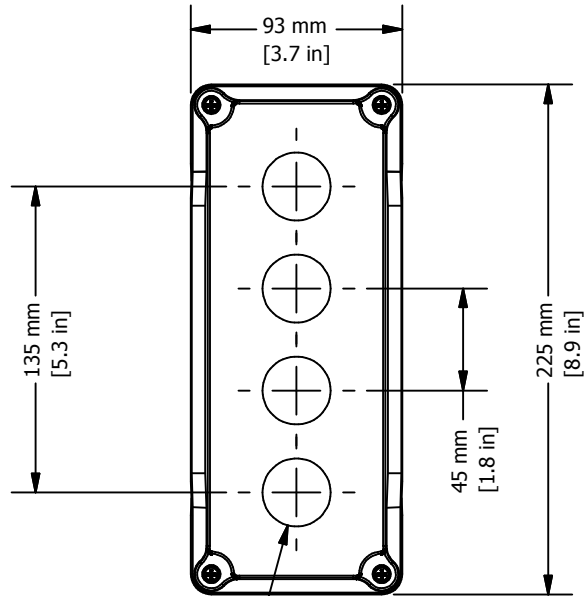
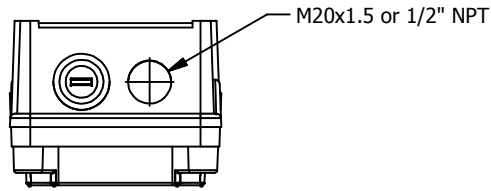


REVISION FOR DWG # 1PB-1004G13

| REV | CH.NO. | DESCRIPTION | DATE | REVISED BY |
|-----|--------|-----------------|-----------|------------|
| - | - | ORIGINAL DESIGN | 11/7/2007 | PHILIPP E. |



UNLESS OTHERWISE SPECIFIED:
 • ALL DIMENSIONS ARE IN MILLIMETERS
 • THIRD ANGLE PROJECTION



This Drawing is the property of
Altech Corp.

35 Royal Road
 Flemington, NJ 08822-6000
 (908) 806-9400
 Fax (908) 806-9490

AND IS A CONFIDENTIAL DISCLOSURE
 WITHOUT CONSIDERATION OTHER THAN THE
 BORROWER'S AGREEMENT THAT IT
 SHALL NOT BE REPRODUCED,
 COPIED, LENT OR DISPOSED OF
 DIRECTLY OR INDIRECTLY NOR
 USED FOR ANY PURPOSE OTHER
 THAN THAT FOR WHICH IT IS
 SPECIFICALLY FURNISHED.

TITEL 30 mm Aluminum Enclosure Gravity Die Cast 1004G13 (cable entry thread size: 2xM20) and 1006G13 (cable entry thread size: 2x1/2"-14 NPT)

| TOLERANCE | | |
|-----------|---|---------|
| XX | = | ±1 mm |
| XX.X | = | ±0.5 mm |
| XX.XX | = | ±0.2 mm |
| ALL | = | - mm |

M
E
T
R
I
C

| | | | |
|----------------------------------|-----------|--------------|----------------|
| DRAWN BY: Philipp Ernstberger | 11/7/2007 | DRAWING NO.: | REV.: |
| CHECKED BY: Laszlo Gyorgypal | 11/7/2007 | 1PB-1004G13 | - |
| RELEASED BY: Laszlo Gyorgypal | 11/7/2007 | SCALE: - | SHEET: 1 OF: 1 |