

## 2.5 Gb/s Bias-Free Miniaturized Modulator



### Key Features

- Bias-free operation for fast transmitter development and manufacturing
- Small - required board space (footprint) reduced by greater than 70% compared with standard butterfly package
- Printed circuit board (PCB) compatible - single in-line package mounts pins-down
- 1535 to 1565 nm operation; L-band versions available
- Low drive voltage; compatible with commercial drivers
- Low chirp for maximum transmission distance (>1000 km)

### Applications

- Medium- and long-haul transmission
- DWDM and TDM transmission

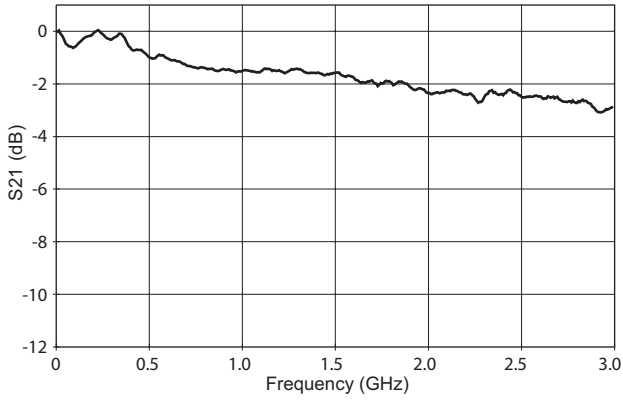
The 2.5 Gb/s bias-free modulator is a digital device in which the bias point of the interferometer is set to operate at about the half-intensity point (quadrature). A bias control circuit is not required. This feature simplifies circuit design and speeds up product development. The device provides superior signal quality across a wide range of wavelengths in the C and L bands and can be used to modulate tunable lasers. The modulator is designed for medium- and long-haul transmission in dense wavelength division multiplexing (DWDM) and time division multiplexing (TDM) systems.

As the optical layer extends into the metropolitan and enterprise areas, board real estate is reduced and the component functionality requirement increased. The JDSU miniaturized line of modulators optimizes board space with a footprint reduced by 70%.

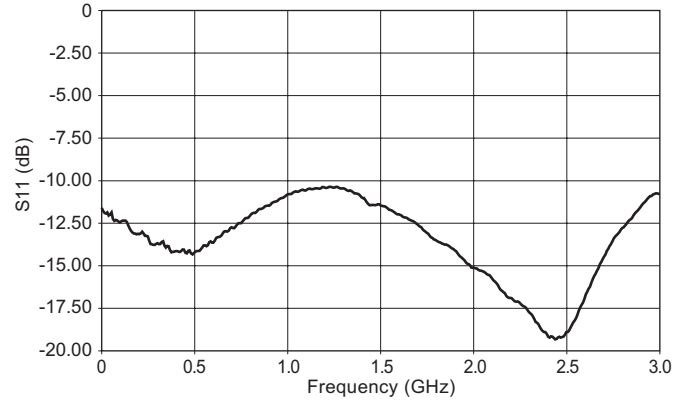
2

Typical Performance Characteristics

Typical Frequency Response Curve, S21

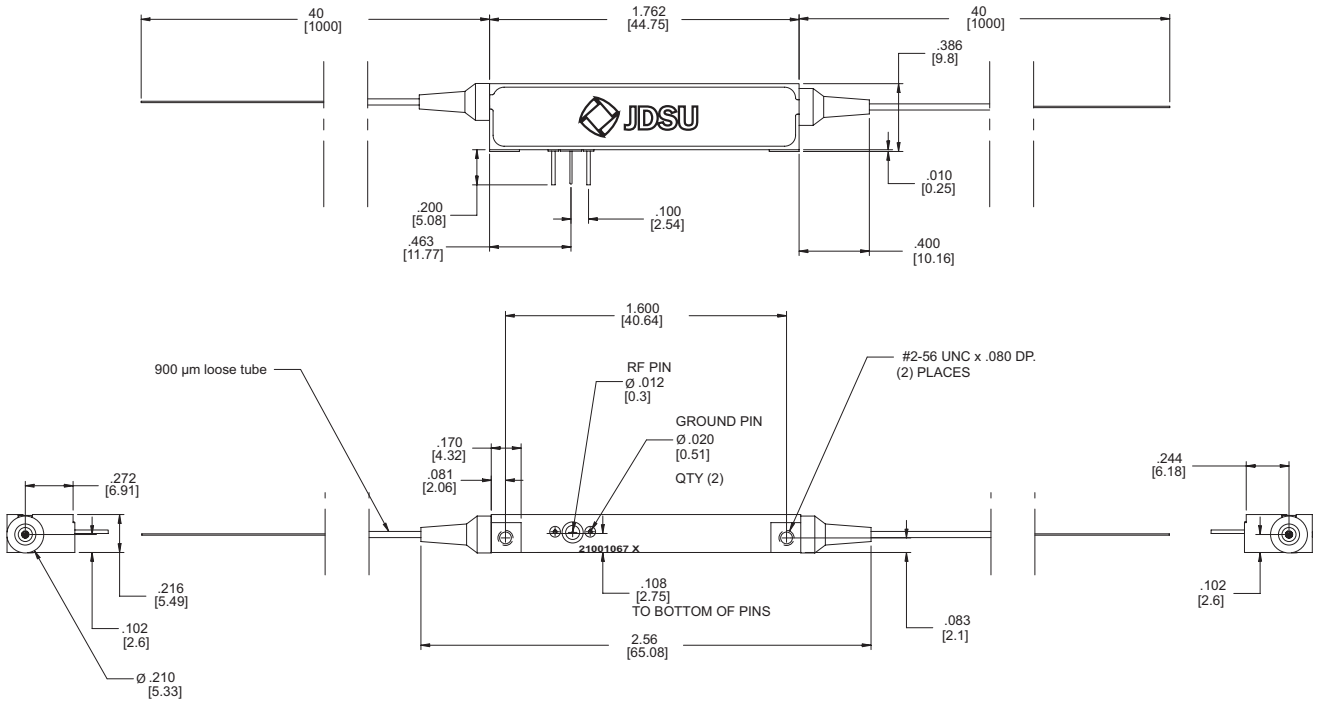


Typical Return Loss Curve, S11



Dimensions Diagram

(Specifications in inches [mm] unless otherwise noted.)



## 3

## Specifications

Parameter	Specification
<b>General</b>	
Material	Lithium niobate
Crystal orientation	x-cut, y-propagating
Waveguide process	APE
<b>Optical</b>	
Operating wavelength	1535 to 1565 nm
Insertion loss, no connectors (note <sup>2</sup> )	≤5.0 dB
On/off extinction ratio, low frequency	≥20 dB
Optical return loss	≥50 dB
<b>Electrical</b>	
RF port	
Drive voltage, V peak-to-peak, at 2.5 Gb/s PRBS (note <sup>3</sup> )	3.6 V typical
$V_{\pi}$ at 100 kHz (note <sup>3</sup> )	≤3.7 V
S21 electro-optic bandwidth (-3 dBe) (note <sup>1,3</sup> )	≥2.5 GHz
S11 return loss, 0.03 to 2.50 GHz (note <sup>3</sup> )	≤-9.5 dB
RF input power	≤24 dBm
Chirp, alpha parameter	$ \alpha  < 0.2$
Bias port	
$V_{\pi}$ at DC	N/A
Impedance	N/A
<b>Mechanical</b>	
Input	Fujikura SM-15-P-8/125-UV/UV-400
Output (note <sup>4</sup> )	SMF-28
RF connection	Pins
Bias connection	None
<b>Environmental</b>	
Operating temperature	0 to 65 °C
Storage temperature	-40 to 85 °C

1. Relative to 130 MHz.

2. Insertion loss is measured at the maximum of the modulator's transfer function and does not include the 3 dB loss incurred when operating at quadrature.

3. Variances with temperature and wavelength included.

4. PM output fiber also available.



**Ordering Information**

For more information on this or other products and their availability, please contact your local JDSU account manager or JDSU directly at 1-800-498-JDSU (5378) in North America and +800-5378-JDSU worldwide or via e-mail at [customer.service@jdsu.com](mailto:customer.service@jdsu.com).

**Sample: 10023825**

Product Code	Description
10023825	2.5 Gb/s modulator with no optical connectors
10023828	2.5 Gb/s modulator with FC/SPC optical connectors

Note: Other connectors available upon special request. Call JDSU for more information.

SMF-28 and Fujikura SM-15-P-8/125-UV-400 are registered trademarks of Corning Incorporated.

All statements, technical information and recommendations related to the products herein are based upon information believed to be reliable or accurate. However, the accuracy or completeness thereof is not guaranteed, and no responsibility is assumed for any inaccuracies. The user assumes all risks and liability whatsoever in connection with the use of a product or its application. JDSU reserves the right to change at any time without notice the design, specifications, function, fit or form of its products described herein, including withdrawal at any time of a product offered for sale herein. JDSU makes no representations that the products herein are free from any intellectual property claims of others. Please contact JDSU for more information. JDSU and the JDSU logo are trademarks of JDS Uniphase Corporation. Other trademarks are the property of their respective holders. ©2006 JDS Uniphase Corporation. All rights reserved. 10116237 Rev.001 05/06 25GBFMM.DS.CC.AE