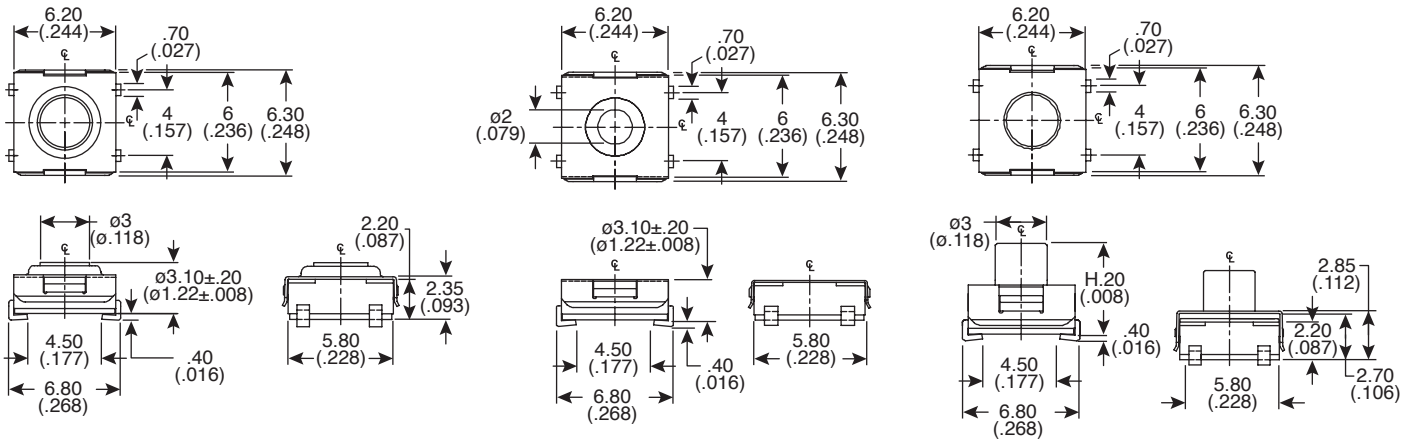
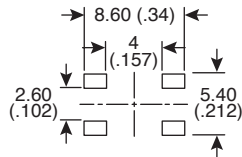


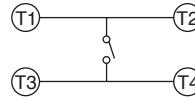
Dimensions: mm (In)



PCB Layout



Circuit Diagram



Electrical Specifications:

- Electrical Life:
 - 100K cycles (min.): TS6923T1601
 - 500K cycles (min.): TS6923T1803, TS6923T1805, TS6923T2603, TS6923T2604, TS6923T2605, TS6923T3604, TS6923T3605
- Rating: 50mA/12VDC
- Contact Resistance: 100mΩ max.
- Insulation Resistance: 100MΩ min. @ 500VDC
- Dielectric Strength: 250VAC/minute

Mechanical Specifications:

- Operating Force:
 - 160gf (silver): TS6923T1601
 - 180gf (brown): TS6923T1803, TS6923T1805
 - 260gf (red): TS6923T2603, TS6923T2604, TS6923T2605
 - 360gf (clear): TS6923T3604, TS6923T3605
- Stop Strength: Max 3kgf vertical static load cont. for 15 sec.
- Stroke: 0.25 +0.20/-0.1mm, 66N, 68S
0.45 ±0.2mm, 69, 67, 65N(R)
0.6 ±0.2mm, 69, 65, 67T
- Operating Temperature: -25°C to +70°C
- Storage Temperature: -30°C to +80°C
- Type: SPST

Materials:

- Cover: Stainless steel
- Contact Disc: Phosphor bronze with silver cladding
- Terminal: Brass with silver cladding
- Base: UL94V-0 Nylon high-temp. thermoplastic, black
- Stem: High-temp thermoplastic nylon UL 94V-0 (66N)
- Adhesive Tape: Resin based
- Metal Stem: Brass w/ nickel plated
- Sealed Rubber: Silicone rubber

Mouser Stock No.	H
101-TS6923T1803-EV	3.5mm
101-TS6923T2603-EV	3.5mm
101-TS6923T2604-EV	3.8mm
101-TS6923T3604-EV	3.8mm
101-TS6923T1805-EV	5.2mm
101-TS6923T2605-EV	5.2mm
101-TS6923T3605-EV	5.2mm

Note:

- RoHs Compliant and process compatible with 260° solder

Tactile Switches (SMT)

101-TS6923T1601-EV	101-TS6923T2604-EV	101-TS6923T2605-EV
101-TS6923T1803-EV	101-TS6923T3604-EV	101-TS6923T3605-EV
101-TS6923T2603-EV	101-TS6923T1805-EV	

