

121-100 - Type C

Series 74 Helical Convoluted Tubing (MIL-T-81914) Natural or Black PFA, FEP, PTFE, Tefzel® (ETFE) or PEEK



TYPE C EXTERNAL SHIELD AND JACKET

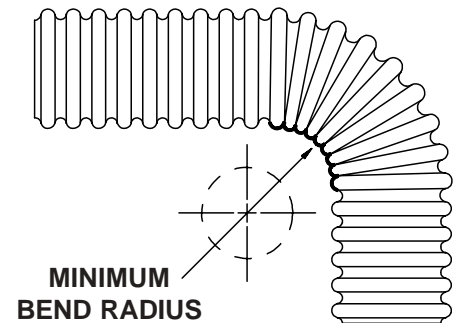
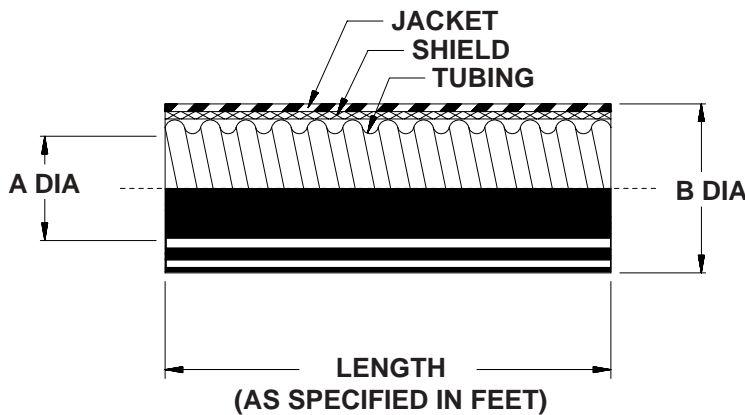


TABLE I

| DASH NO. | FRACTIONAL SIZE REF | A INSIDE DIA MIN | B DIA MAX | MINIMUM BEND RADIUS |
|----------|---------------------|------------------|--------------|---------------------|
| 06 | 3/16 | .181 (4.6) | .490 (12.4) | .50 (12.7) |
| 09 | 9/32 | .273 (6.9) | .584 (14.8) | .75 (19.1) |
| 10 | 5/16 | .306 (7.8) | .620 (15.7) | .75 (19.1) |
| 12 | 3/8 | .359 (9.1) | .680 (17.3) | .88 (22.4) |
| 14 | 7/16 | .427 (10.8) | .741 (18.8) | 1.00 (25.4) |
| 16 | 1/2 | .480 (12.2) | .820 (20.8) | 1.25 (31.8) |
| 20 | 5/8 | .603 (15.3) | .940 (23.9) | 1.50 (38.1) |
| 24 | 3/4 | .725 (18.4) | 1.100 (27.9) | 1.75 (44.5) |
| 28 | 7/8 | .860 (21.8) | 1.243 (31.6) | 1.88 (47.8) |
| 32 | 1 | .970 (24.6) | 1.396 (35.5) | 2.25 (57.2) |
| 40 | 1 1/4 | 1.205 (30.6) | 1.709 (43.4) | 2.75 (69.9) |
| 48 | 1 1/2 | 1.437 (36.5) | 2.002 (50.9) | 3.25 (82.6) |
| 56 | 1 3/4 | 1.688 (42.9) | 2.327 (59.1) | 3.63 (92.2) |
| 64 | 2 | 1.937 (49.2) | 2.502 (63.6) | 4.25 (108.0) |

Metric dimensions (mm) are in parentheses.

* Consult factory for thin-wall, close convolution combination.

** For PTFE maximum lengths - consult factory.

*** Consult factory for PEEK min/max dimensions.