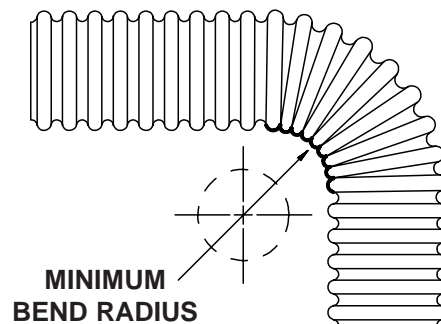
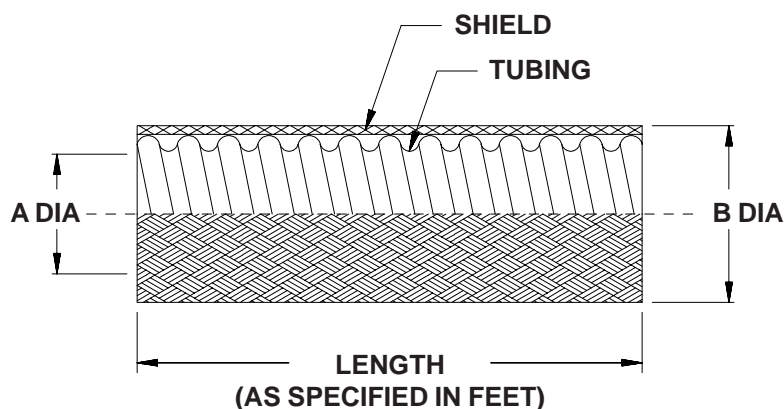
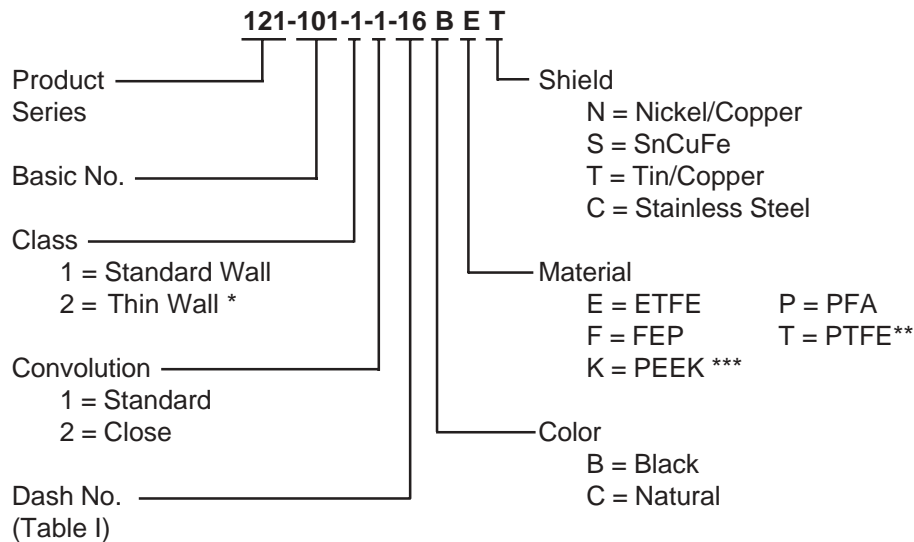


**TYPE D**  
**EXTERNAL SHIELD**



**TABLE I**

| DASH NO. | FRACTIONAL SIZE REF | A INSIDE DIA MIN | B DIA MAX    | MINIMUM BEND RADIUS |
|----------|---------------------|------------------|--------------|---------------------|
| 06       | 3/16                | .181 (4.6)       | .370 (9.4)   | .50 (12.7)          |
| 09       | 9/32                | .273 (6.9)       | .464 (11.8)  | .75 (19.1)          |
| 10       | 5/16                | .306 (7.8)       | .500 (12.7)  | .75 (19.1)          |
| 12       | 3/8                 | .359 (9.1)       | .560 (14.2)  | .88 (22.4)          |
| 14       | 7/16                | .427 (10.8)      | .621 (15.8)  | 1.00 (25.4)         |
| 16       | 1/2                 | .480 (12.2)      | .700 (17.8)  | 1.25 (31.8)         |
| 20       | 5/8                 | .603 (15.3)      | .820 (20.8)  | 1.50 (38.1)         |
| 24       | 3/4                 | .725 (18.4)      | .980 (24.9)  | 1.75 (44.5)         |
| 28       | 7/8                 | .860 (21.8)      | 1.123 (28.5) | 1.88 (47.8)         |
| 32       | 1                   | .970 (24.6)      | 1.276 (32.4) | 2.25 (57.2)         |
| 40       | 1 1/4               | 1.205 (30.6)     | 1.589 (40.4) | 2.75 (69.9)         |
| 48       | 1 1/2               | 1.437 (36.5)     | 1.882 (47.8) | 3.25 (82.6)         |
| 56       | 1 3/4               | 1.688 (42.9)     | 2.132 (54.2) | 3.63 (92.2)         |
| 64       | 2                   | 1.937 (49.2)     | 2.382 (60.5) | 4.25 (108.0)        |

Metric dimensions (mm) are in parentheses.

\* Consult factory for thin-wall, close convolution combination.

\*\* For PTFE maximum lengths - consult factory.

\*\*\* Consult factory for PEEK min/max dimensions.