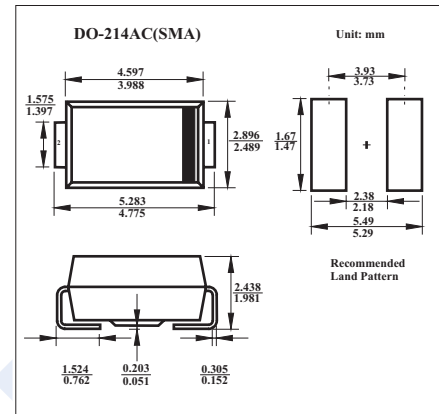


1A Rectifier Diodes

1N4001-1N4007

■ Features

- Diffused Junction
- High Current Capability and Low Forward Voltage Drop
- Surge Overload Rating to 30A Peak
- Low Reverse Leakage Current

■ Absolute Maximum Ratings $T_a = 25^\circ\text{C}$

Parameter	Symbol	1N4001	1N4002	1N4003	1N4004	1N4005	1N4006	1N4007	Unit
Peak Repetitive Reverse Voltage	VRRM								
Working Peak Reverse Voltage	VRMWM	50	100	200	400	600	800	1000	V
DC Blocking Voltage	VR								
RMS Reverse Voltage	VR(RMS)	35	70	140	280	420	560	700	V
Average Rectified Output Current	Io	1.0							A
Non-Repetitive Peak Forward Surge Current, 8.3ms Single Half Sine-wave Superimposed on Rated Load (JEDEC method)	IFSM	30							A
DC Blocking Voltage $T_A = 25^\circ\text{C}$	IRMS	5							μA
$T_A = 100^\circ\text{C}$		50							
Forward Voltage @ $I_F = 1.0\text{A}$	VFM	1.0							V
Typical Junction Capacitance	CJ	15				8			pF
Typical Thermal Resistance Junction to Ambient	$R_{\theta JA}$	100							K/W
Maximum DC Blocking Voltage Temperature	T_A	+150							$^\circ\text{C}$
Operating and Storage Temperature Range	T_j, T_{STG}	-65 to 175							$^\circ\text{C}$

■ Marking

Part NO.	1N4001	1N4002	1N4003	1N4004	1N4005	1N4006	1N4007
Marking	M1	M2	M3	M4	M5	M6	M7