

## silicon diodes

Type	Maximum Peak Reverse Voltage (volts)	Maximum Forward Voltage (volts)	Forward Current (mA)	Reverse Current ( $\mu$ A) 25°C	Reverse Current ( $\mu$ A) 150°C (See Notes)	Reverse Voltage (volts)	Capacitance (pf)	Recovery Time ( $\mu$ sec)	Power Dissipation (mW)	Case Style
1N42A	5.0	0.5	15	15	—	—	—	—	—	—
1N194	50	2.0	1.5	60	600	0.5	—	—	250	DO-7
1N194A	56	1.0	40	—	—	40	—	0.1	250	DO-7
1N185	50	2.0	2.0	80	700	40	—	0.1	250	DO-7
1N198	50	2.0	1.5	40	500	50	—	0.1	250	DO-7
1N200	6.8	1.0	50	0.5	5 (2)	6.8	50*	—	150	DO-7
1N201	8.2	1.0	35	0.5	5 (2)	8.2	35*	—	150	C-1
1N202	10	1.0	30	0.5	5 (2)	10	30*	—	150	C-1
1N203	12	1.0	23	0.5	5 (2)	12	28*	—	150	C-1
1N204	15	1.0	17	0.5	5 (2)	15	25*	—	150	C-1
1N205	18	1.0	12	0.1	10 (2)	18	20*	—	150	C-1
1N206	22	1.0	9	0.1	10 (2)	22	15*	—	150	C-1
1N207	27	1.0	7	0.1	10 (2)	27	12*	—	150	C-1
1N208	33	1.0	5.5	0.1	10 (2)	33	10*	—	150	C-1
1N209	39	1.0	4.5	0.1	10 (2)	39	8*	—	150	C-1
1N210	47	1.0	3.5	0.1	10 (2)	47	6*	—	150	C-1
1N211	56	1.0	2.7	1.0	50 (2)	56	5.6*	—	150	C-1
1N212	68	1.0	2.0	1.0	50 (2)	68	5.2*	—	150	C-1
1N213	82	1.0	1.5	1.0	50 (2)	82	4.8*	—	150	C-1
1N214	100	1.0	1.2	1.0	80 (2)	100	4.5*	—	150	C-1
1N215	120	1.0	0.9	1.0	80 (2)	120	4.2*	—	150	C-1
1N216	150	1.0	0.7	5	100 (2)	150	3.8*	—	150	C-1
1N217	180	4.0	6.5	5	100 (2)	180	3.5*	—	150	C-1
1N218	220	4.0	5.0	5	100 (2)	220	3.2*	—	150	C-1
1N219	270	4.0	3.0	5	100 (2)	270	3.0*	—	150	C-1
1N220	330	4.0	2.2	5	100 (2)	330	2.8*	—	150	C-1
1N221	390	4.0	2.0	5	100 (2)	390	2.8*	—	150	C-1
1N222	470	4.0	1.5	5	100 (2)	470	2.4*	—	150	C-1
1N251	30	1.0	5	0.1	10 (1)	10	—	0.15	150	DO-7
1N251A	125	1.0	10	10	—	10	—	—	250	DO-7
1N252	20	1.0	10	0.1	10 (1)	10	—	0.15	150	DO-7
1N252A	125	1.0	10	10	50 (1)	5	—	—	250	DO-7
1N300	15	1.0	15	—	0.1 (2)	10	5.0**	—	150	DO-7
1N301	70	1.0	5	—	0.2 (2)	10	4.0**	—	150	C-47
1N301A	70	1.0	18	—	0.2 (2)	10	5.0**	—	150	C-47
1N302	225	1.0	1	0.1	0.5 (2)	10	2.0**	—	150	C-47
1N302A	225	1.0	5	0.1	0.5 (2)	10	2.0**	—	150	C-47
1N303	125	1.0	3	0.1	0.3 (2)	10	3.0**	—	150	DO-7
1N303A	125	1.0	12	0.1	0.3 (2)	10	3.0**	—	150	DO-7
1N303B	125	1.0	50	0.1	0.3 (2)	10	3.0**	—	150	DO-7
1N330	32	1.0	5	0.03	—	20	—	—	150	DO-7
1N331	16	1.0	5	0.01	—	10	—	—	150	DO-7
1N350	70	1.0	5	0.01	—	60	—	—	150	C-1b
1N351	120	1.0	20	0.03	5 (1)	100	—	—	150	C-1b
1N352	170	1.0	20	0.03	5 (1)	150	—	—	150	C-1b
1N353	225	1.0	20	0.1	20 (1)	200	—	—	150	C-1b
1N354	325	1.0	20	0.1	20 (1)	300	—	—	150	C-1b
1N379	8.2	1.0	35	0.5	5.0 (2)	8.2	—	—	150	DO-7
1N380	10	1.0	30	0.5	5.0 (2)	10	—	—	150	DO-7
1N381	12	1.0	23	0.5	5.0 (2)	12	—	—	150	DO-7
1N382	15	1.0	17	0.5	5.0 (2)	15	—	—	150	DO-7
1N383	18	1.0	12	0.1	10 (2)	18	—	—	150	DO-7
1N384	22	1.0	9.0	0.1	10 (2)	22	—	—	150	DO-7
1N385	27	1.0	7.0	0.1	10 (2)	27	—	—	150	DO-7
1N386	33	1.0	5.5	0.1	10 (2)	33	—	—	150	DO-7
1N387	39	1.0	4.5	0.1	10 (2)	39	—	—	150	DO-7
1N388	47	1.0	3.5	0.1	10 (2)	47	—	—	150	DO-7
1N389	56	1.0	2.7	1.0	50 (2)	56	—	—	150	DO-7
1N390	68	1.0	2.0	1.0	50 (2)	68	—	—	150	DO-7
1N391	82	1.0	1.5	1.0	50 (2)	82	—	—	150	DO-7
1N392	100	1.0	1.2	1.0	50 (2)	100	—	—	150	DO-7
1N393	120	1.0	0.8	1.0	50 (2)	120	—	—	150	DO-7
1N394	150	1.0	0.7	5.0	100 (2)	150	—	—	150	DO-7
1N431	68	—	10	—	1.0 (3)	68	—	—	150	C-1
1N432	40	1.0	10	—	3	10	4	.003	250	C-47
1N432A	40	1.0	20	—	3	10	4	.003	—	C-47
1N432B	40	1.0	50	—	7	10	5.5	.003	—	C-47
1N433	145	1.0	3.0	—	7	10	1.3	.003	—	C-47
1N433A	145	1.0	10	—	7	10	1.5	.003	—	C-47
1N433B	145	1.0	50	—	7	10	1.5	.003	—	C-47
1N434	180	1.0	2	—	0.4 (2)	10	1.0	—	250	C-47
1N434A	180	1.0	7	—	0.4 (2)	10	1.3	—	250	C-47
1N458	30	1.0	40	—	5	25	—	.003	—	DO-35
1N458A	30	1.0	100	.025	5	25	—	—	250	DO-35
1N458AM	30	1.0	100	.025	5	25	—	—	250	DO-35

Notes: (1) +125°C (2) +100°C (3) +80°C

\* @ 6V test voltage  
† mA

\*\* @ 10V test voltage

TOLL FREE NUMBER 800-777-3960

silicon diodes cont'd

Type	Maximum Peak Reverse Voltage (volts)	Maximum Forward Voltage (volts)	Forward Current (mA)	Reverse Current (μA) 25°C	Reverse Current (μA) 150°C (See Notes)	Reverse Voltage (volts)	Capacitance (pF)	Recovery Time (μsec)	Power Dissipation (mW)	Case Style
1N457	70	1.0	20	.025	5	60	—	—	250	DO-35
1N457A	70	1.0	100	.025	5	60	—	—	250	DO-35
1N457AM	70	1.0	300	.025	5	60	—	—	300	DO-35
1N457M	80	1.0	20	.025	5	60	—	—	200	DO-35
1N458	150	1.0	7	.025	5	125	—	—	250	DO-35
1N458A	150	1.0	100	.025	5	125	—	—	250	DO-35
1N458AM	150	1.0	100	.025	5	125	—	—	300	DO-35
1N458M	175	1.0	7	.025	5	125	—	—	250	DO-35
1N459	200	1.0	3	.025	5	175	—	—	250	DO-35
1N459A	200	1.0	100	.025	5	175	—	—	250	DO-35
1N460A	90	1.0	1.5	—	10	75	4.5	2.0	—	DO-35
1N460B	90	1.0	50	—	10	75	5.0	2.0	—	DO-35
1N461	30	1.0	15	0.5	30	25	—	—	250	DO-7
1N461A	30	1.0	100	0.5	30	25	—	—	250	DO-7
1N461AM	30	1.0	100	0.5	30	25	—	—	300	DO-7
1N461M	30	1.0	15	0.5	30	25	—	—	300	DO-7
1N462	70	1.0	5	0.5	30	60	—	—	250	DO-7
1N462A	70	1.0	100	0.5	30	60	—	—	250	DO-7
1N462AM	70	1.0	100	0.5	30	60	—	—	300	DO-7
1N462M	70	1.0	5	0.5	30	60	—	—	300	DO-7
1N463	200	1.0	1	.5	30	175	—	—	250	DO-7
1N463A	200	1.0	100	.5	30	175	—	—	250	DO-7
1N464	150	1.0	3	.5	30	125	—	—	250	DO-7
1N464A	150	1.0	100	.5	30	125	—	—	250	DO-7
1N462	40	1.1	100	.25	30	30	—	—	250	DO-7
1N482A	40	1.0	100	.025	15	30	—	—	250	DO-7
1N482B	40	1.0	100	.025	5	30	—	—	250	DO-7
1N482BM	40	1.0	100	.025	5	30	—	—	300	DO-7
1N482C	36	1.0	100	.025	—	30	—	—	300	DO-7
1N482M	40	1.1	100	.25	30	30	—	—	300	DO-7
1N483	80	1.1	100	.25	30	60	—	—	250	DO-7
1N483A	80	1.0	100	.025	15	60	—	—	250	DO-7
1N483AM	80	1.0	100	.025	15	60	—	—	300	DO-7
1N483B	80	1.0	100	.025	5	60	—	—	250	DO-7
1N483BM	80	1.0	100	.025	5	60	—	—	300	DO-7
1N483C	70	1.0	100	.005	—	60	—	—	300	DO-7
1N483M	80	1.0	100	.25	30	60	—	—	300	DO-7
1N484	150	1.1	100	.25	30	125	—	—	250	DO-7
1N484A	150	1.0	100	.025	15	125	—	—	250	DO-7
1N484B	150	1.0	100	.025	5	125	—	—	250	DO-7
1N484C	130	1.0	100	.005	—	125	—	—	—	DO-7
1N485	200	1.1	100	.25	30	175	—	—	250	DO-7
1N485A	200	1.0	100	.025	15	175	—	—	250	DO-7
1N485B	200	1.0	100	.025	5	175	—	—	250	DO-7
1N485C	180	1.0	100	.005	—	175	—	—	250	DO-7
1N486	250	1.1	100	.25	50	225	—	—	250	DO-7
1N486A	250	1.0	100	.05	25	225	—	—	250	DO-7
1N486B	250	1.0	100	.05	10	225	—	—	250	DO-7
1N487	330	1.1	100	.25	50	300	—	—	250	DO-7
1N487A	330	1.0	100	0.1	25	300	—	—	250	DO-7
1N487B	300	1.0	100	.025	10	300	—	—	—	DO-7
1N488	420	1.1	100	.25	50	380	—	—	250	DO-7
1N488A	420	1.0	100	0.1	25	380	—	—	250	DO-7
1N488B	380	1.0	100	0.1	10	380	—	—	250	DO-7
1N619	30	1.0	3	.05	16 (2)	10	—	—	—	DO-7
1N625	35	1.5	4	1.0	30	20	—	1.0	200	DO-7
1N625A	20	1.5	10	0.1	30	20	—	0.5	200	DO-7
1N626	50	1.5	4	1.0	30	35	—	1.0	200	DO-7
1N626A	35	1.5	10	0.1	30	35	—	0.5	200	DO-7
1N627	100	1.5	4	1.0	30	75	—	1.0	200	DO-7
1N627A	75	1.5	10	0.1	30	75	—	0.5	200	DO-7
1N628	180	1.5	4	1.0	30	125	—	1.0	200	DO-7
1N629	200	1.5	4	1.0	30	175	—	1.0	200	DO-7
1N643	200	1.0	10	.025	5 (1)	10	—	0.3	200	DO-7
1N643A	200	1.0	100	.025	5 (2)	10	—	—	200	DO-7
1N645	275 (2)	1.0	400	0.2	15 (2)	275	—	—	400	DO-7
1N645A	225	1.0	400	0.2	—	225	—	—	600	DO-7
1N646	360 (2)	1.0	400	0.2	15 (2)	360	—	—	400	DO-7
1N647	480 (2)	1.0	400	0.2	20 (2)	480	—	—	400	DO-7
1N648	600 (2)	1.0	400	0.2	20 (2)	600	—	—	400	DO-7
1N649	720 (2)	1.0	400	0.2	25 (2)	720	—	—	400	DO-7
1N658	120	1.0	100	.05	25	50	—	0.3	200	DO-7
1N658A	120	1.0	100	.025	10	50	—	0.3	200	DO-7
1N659	55	1.0	5	5	25 (2)	50	—	0.3	200	DO-7
1N659A	50	1.0	10	.05	50	50	—	0.3	200	DO-7

Notes: (1) +125°C (2) +100°C

# silicon diodes cont'd

Type	Maximum Peak Reverse Voltage (volts)	Maximum Forward Voltage (volts)	Forward Current (mA)	Reverse Current (μA) 25°C	Reverse Current (μA) 150°C (See Notes)	Reverse Voltage (volts)	Capacitance (pF)	Recovery Time (μsec)	Power Dissipation (mW)	Case Style
1N903A	—	1.0	20	0.1	10 (2)	40	—	4	250	DO-7
1N904	—	1.0	10	0.1	10 (2)	30	—	—	250	DO-7
1N904A	40	1.0	20	0.1	10 (2)	30	1.0	.004	250	DO-7
1N905	—	1.0	10	0.1	10 (2)	30	1.0	.004	250	DO-7
1N905A	30	1.0	20	0.1	10 (2)	20	1.0	.004	250	DO-7
1N906	—	1.0	10	0.1	10 (2)	20	2.5	.004	250	DO-7
1N906A	—	1.0	90	0.1	10 (2)	20	2.5	.004	250	DO-7
1N907	—	1.0	10	0.1	10 (2)	30	2.5	.004	250	DO-7
1N907A	—	1.0	20	0.1	10 (2)	30	2.5	.004	250	DO-7
1N908	—	1.0	30	0.1	10 (2)	40	2.5	.004	250	DO-7
1N908A	—	1.0	20	0.1	10 (2)	40	2.5	.004	250	DO-7
1N914	100	1.0	10	.025	50 (2)	20	4.0	.004	250	DO-35
1N914A	100	1.0	20	.025	50	20	4.0	.004	250	DO-35
1N914B	100	1.0	100	.025	50	20	4.0	.004	250	DO-35
1N915	50	1.0	50	.025	50 (2)	10	4.0	.01	—	DO-35
1N916	100	1.0	10	.025	50	20	2.0	.004	250	DO-35
1N916A	100	1.0	20	.025	50	20	2.0	.004	250	DO-35
1N916B	75	1.0	20	.025	50	20	2.0	.004	250	DO-35
1N917	30	1.0	10	.05	—	10	—	0.3	250	DO-35
1N920	36	1.0	500	0.25	—	30	—	0.3	250	DO-7
1N921	70	1.0	500	0.25	—	60	—	0.3	250	DO-7
1N922	100	1.0	500	0.25	—	90	—	0.3	250	DO-7
1N923	130	1.0	800	0.25	—	120	—	0.3	250	DO-7
1N925	40	1.0	5	1.0	20 (2)	10	4.0	.15	250	DO-7
1N926	40	1.0	5	0.1	10 (2)	10	4.0	.15	250	DO-7
1N927	65	1.0	10	0.1	10 (2)	30	4.0	.15	250	DO-7
1N928	—	1.0	10	0.1	10 (2)	30	4.0	.15	250	DO-7
1N929	20	1.0	20	100	—	10/100	—	—	80	DO-7
1N930	50	1.0	20	100	—	25	—	—	80	DO-7
1N931	100	1.0	20	100	—	75	—	—	80	DO-7
1N932	200	1.0	20	100	—	125	—	—	—	DO-7
1N934	70	1.0	30	—	—	200	—	—	—	DO-7
1N948	40	1.5	100	.025	—	60	—	—	—	DO-7
1N950	8	1.5	10	0.35	20	30	—	1.0	250	DO-7
1N997	35	1.0	10	1.0	—	6	—	.004	50	DO-7
1N3062	75 @ 5μA	1.0	20	0.1	100	50	1	.002	250	DO-7
1N3063	75	0.85	10	0.1	100	50	2	.004	250	DO-7
1N3064	75	1.0	10	0.1	100	50	2	.004	250	DO-7
1N3065	75	1.0	20	0.1	100	50	1.5	.004	250	DO-7
1N3066	75	1.0	10	0.1	100	50	1	.002	250	DO-7
1N3067	30	1.0	5	0.1	100	20	4	.004	250	DO-7
1N3068	30	1.0	5	0.1	100	20	6	.050	250	DO-7
1N3069	65	1.0	50	0.1	100	50	6	.050	250	DO-7
1N3070	200	1.0	100	0.1	100	175	5	.050	250	DO-7
1N3071	200	1.0	100	0.1	100	150	5	.050	—	DO-7
1N3123	40	1.5	10	0.1	10 (2)	40	0.8	.004	—	DO-7
1N3124	40	1.0	20	0.1	—	40	2.0	.004	—	DO-7
1N3257	100	1.0	30	.025	25	20/50	2	.003	250	DO-7
1N3258	100	1.0	100	.025	25	20/50	4	.004	250	DO-7
1N3550	180	1.0	500	—	200 (2)	100	—	1.5	—	DO-7
1N3596	20	1.0	30	0.1	100	20	1.0	.004	—	DO-7
1N3597	150	1.2	490	0.1	100	150	5.0	0.3	—	DO-7
1N3598	50	0.85	10	0.1	100	50	2.0	.04	—	DO-7
1N3599	150	1.0	100	0.1	100	150	5.0	.05	—	DO-7
1N3600	50	1.0	200	0.1	100	50	2.5	.004	250	DO-7
1N3601	75	1.0	10	1.0	100	75	3.0	.005	—	DO-7
1N3602	75	1.0	20	0.1	—	50	3.0	.005	—	DO-7
1N3604	75	1.0	50	.05	50	50	2	.004	250	DO-7
1N3605	30	0.55	0.1	.05	50	30	2	.002	—	DO-7
1N3606	50	0.55	0.1	.05	50	50	2	.002	—	DO-7
1N3643	1000	5.0	250	5.0	—	1000	—	—	1000	A-83a
1N3644	1500	5.0	250	5.0	—	1500	—	—	1000	A-83a
1N3645	2000	5.0	250	5.0	—	2000	—	—	1000	A-83a
1N3646	2500	5.0	250	5.0	—	2500	—	—	1000	A-83a
1N3647	3000	5.0	250	5.0	—	3000	—	—	1000	A-83a
1N3668	30	1.0	5	—	10 (1)	15	1.0	0.15	—	DO-7
1N3731	100	1.0	100	.05	50	50	2	.003	250	DO-7
1N3872	50	1.0	150	0.1	—	75	5.0	.015	—	DO-7
1N3958	100	0.5	1.25	—	400	100	—	3.0	—	DO-4
1N3959	200	0.5	1.25	—	400	200	—	3.0	—	DO-4
1N3960	300	0.5	1.25	—	400	300	—	3.0	—	DO-4
1N3961	400	0.5	1.25	—	400	400	—	3.0	—	DO-4
1N3962	500	0.5	1.25	—	400	500	—	3.0	—	DO-4
1N3963	600	0.5	1.25	—	400	600	—	3.0	—	DO-4
1N3962	4000	5.0	250	—	—	—	—	—	1000	A-83a

Notes: (2) +100°C (5) +50°C 1 mA

TOLL FREE NUMBER 800-777-3960

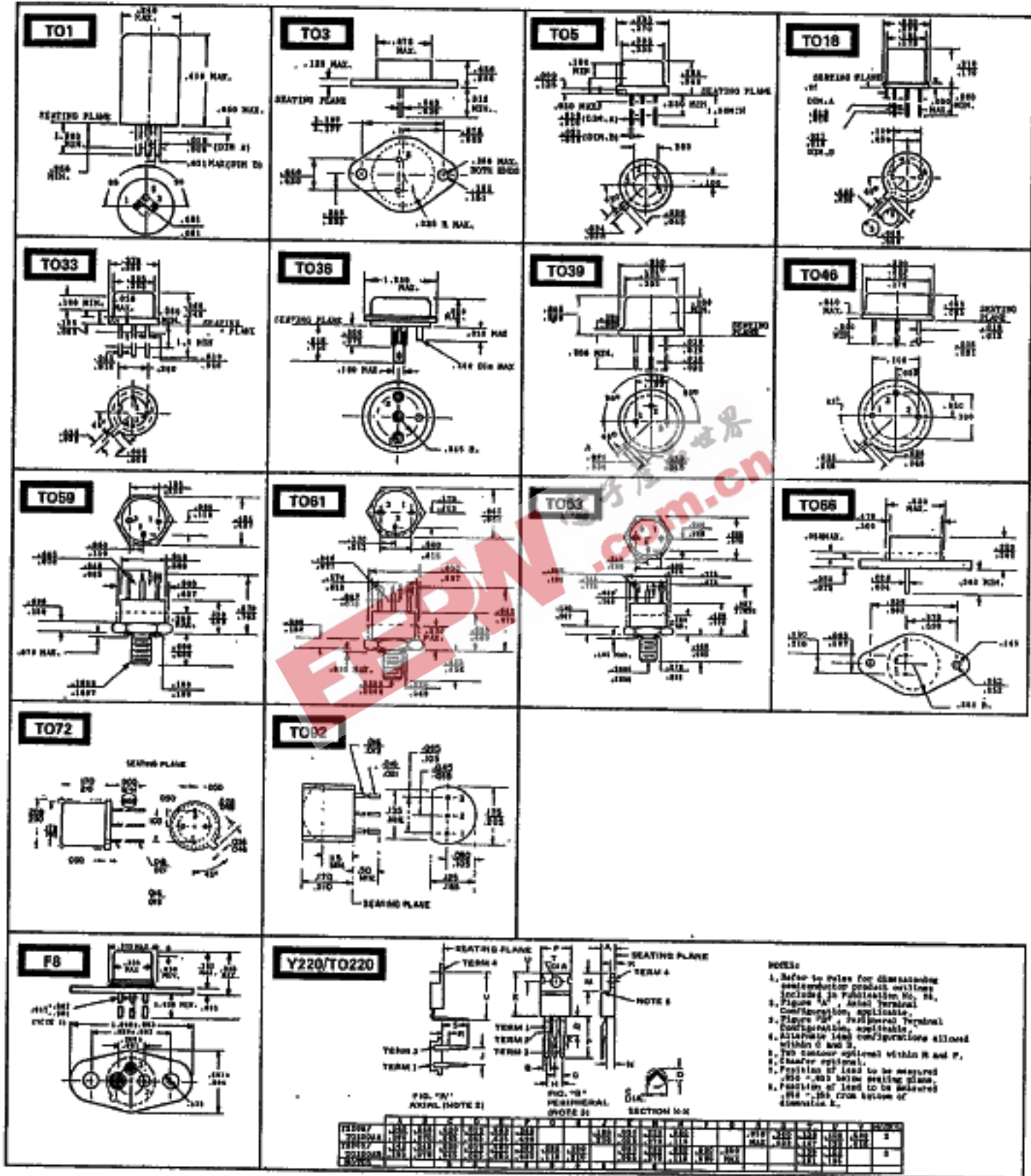
silicon diodes cont'd

Type	Maximum Peak Reverse Voltage (volts)	Maximum Forward Voltage (volts)	Forward Current (mA)	Reverse Current (μA) 25°C	Reverse Current (μA) 150°C (See Notes)	Reverse Voltage (volts)	Capacitance (pF)	Recovery Time (μsec)	Power Dissipation (mW)	Case Style
1N4000	35	1.0	30	0.1	100	25	4	.004	250	DO-7
1N4007	—	.700 min./ .750 max. .975 max.	5 30	.09	100	50	1.8	.030	250	DO-7
1N4092	50	1.0	5	1.0	—	10	10	—	250	DO-7
	—	—	—	—	5 (4)	20	—	—	—	DO-7
1N4147	30	1.0	30	5	—	30	6.0	.01	—	DO-7
1N4148	100	1.0	10	.025	50	20	4	—	400	DO-35
1N4149	100	1.0	10	.025	50	20	2	—	400	DO-35
1N4150	50	.54 min./ .62 max.	1.0	0.1	100	50	2.5	—	400	DO-35
1N4151	75	1.0	50	.05	50	50	2	—	400	DO-35
1N4152	40	.490 min./ .550 max.	0.1	.05	50	30	2	—	400	DO-35
1N4153	75	.490 min./ .550 max.	0.1	.05	50	50	2	—	400	DO-35
1N4154	35	1.0	30	0.1	100	25	4	—	400	DO-35
1N4157	30	2.7	100	.05	50	20	30	—	400	A-159a
1N4242	40	1.0	10	0.1	100 (2)	20	2.0	.002	—	M-117a
1N4243	40	1.0	10	0.1	100 (2)	20	2.0	.002	—	M-117a
1N4305	50	0.85	10	0.1	100	50	2.0	.004	400	DO-35
1N4306††	50	0.55	0.1	.05	.05	50	1.0	.002	—	M-117
1N4307††	50	0.55	0.1	.05	.05	50	1.0	.002	—	M-118
1N4308	100	0.53	0.25	0.1	0.1	75	2.0	.002	—	DO-7
1N4376	20	1.1	50	0.1	0.1	10	1.0	.00075	—	DO-7
1N4389	5.0	1.0	2.0	100	—	5.0	—	—	—	DO-7
1N4390	20	1.0	5.0	0.2	2 (2)	5.0	1.0	.0005	—	DO-7
1N4391	20	1.0	2.0	0.2	2 (2)	5.0	1.0	.0005	—	DO-7
1N4392	15	1.0	2.0	1.0	20 (2)	5.0	1.0	.0005	—	DO-7
1N4445	100	1.0	20	.025	.05	20	4.0	.004	250	DO-7
1N4447	100	1.0	20	.025	50	20	2.0	.004	250	DO-7
1N4448	100	1.0	100	.025	50	20	4.0	.004	250	DO-7
1N4449	100	1.0	30	.025	50	30	2.0	.004	250	DO-7
1N4450	40	1.0	200	.05	50	30	4.0	.004	—	A-48bt
1N4451	40	1.0	300	.05	50	20	6.0	.01	—	A-48bt
1N4454	75	1.0	10	0.1	100	50	2.0	4.0	500	DO-35
1N4666	85	1.1	250	0.1	25 @ 100°C	50	2.5	4.0	500	DO-35

multipellet silicon signal diodes

Part Number	BV @ 5μA (V)	I <sub>F</sub> @ 25°C Max.		V <sub>R</sub> Max.		C <sub>0</sub> @ 0V Max. (pF)	t <sub>r</sub> (nsec)	Package Type
		(mA)	@ V <sub>R</sub> (V)	(V)	@ I <sub>F</sub> (mA)			
1N4156	30	50	20	1.58	10	25	—	DO35
1N4187	30	50	20	2.32	10	20	—	DO35
1N4453	30	50	20	.800	10	30	—	DO35
1N4428	30	100	20	.830	10	35	—	DO35
1N4829	30	100	20	1.61	10	25	—	DO35
1N4830	30	100	20	2.35	10	20	—	DO35
1N5178	30	50	20	3.20	10	20	—	DO35
MP0200	70	30	30	1.54	10	15	—	DO35
MP0201	50	90	20	1.57	10	15	—	DO35
MP0202	50	90	20	1.60	10	15	—	DO35
MP0203	50	90	20	1.51	10	15	—	DO35
ST0567	50	500	20	1.61	10	15	—	DO35
MP0300	100	30	30	2.33	10	10	—	DO35
MP0301	60	40	20	2.32	10	10	—	DO35
MP0302	60	90	20	2.32	10	10	—	DO35
ST0364	60	500	20	2.31	10	10	—	DO35
MP0400	120	30	30	3.07	10	7	—	DO35
MP0401	75	50	20	3.01	10	7	—	DO35
MP0402	75	90	20	3.01	10	7	—	DO35
ST0569	75	500	20	3.01	10	7	—	DO35

# case outline drawings



case outline drawings cont'd

**D01-3**

**D013**

**D027**

**D04**

**D035**

**D041**

**D05**

**A240**

TYPE	HT	HT	HT	HT	HT	HT	HT
2025	3.11	3.11	3.11	3.11	3.11	3.11	3.11
2026	3.11	3.11	3.11	3.11	3.11	3.11	3.11
2027	3.11	3.11	3.11	3.11	3.11	3.11	3.11
2028	3.11	3.11	3.11	3.11	3.11	3.11	3.11
2029	3.11	3.11	3.11	3.11	3.11	3.11	3.11
2030	3.11	3.11	3.11	3.11	3.11	3.11	3.11
2031	3.11	3.11	3.11	3.11	3.11	3.11	3.11
2032	3.11	3.11	3.11	3.11	3.11	3.11	3.11
2033	3.11	3.11	3.11	3.11	3.11	3.11	3.11
2034	3.11	3.11	3.11	3.11	3.11	3.11	3.11
2035	3.11	3.11	3.11	3.11	3.11	3.11	3.11

**D07**

MILLIMETER DIMENSIONS ARE DERIVED FROM ORIGINAL TECH SPECIFICATIONS

SYMBOL	UNITS	MILS	MM	SYMBOL	UNITS	MILS	MM
W	INCH	1.00	25.40	1	INCH	1.00	25.40
S	INCH	1.00	25.40	2	INCH	1.00	25.40
E	INCH	1.00	25.40	3	INCH	1.00	25.40
L	INCH	1.00	25.40	4	INCH	1.00	25.40
L <sub>1</sub>	INCH	1.00	25.40	5	INCH	1.00	25.40

**D08**

**D09**

**D010**

**C212**

LEADS .020 DIA. @ 50°  
PGE LEAD  
250 ± .050  
65 ± .010

**C223**

SPACED ON 200 IS 11 CENTERS  
LEADS .050 DIA  
250 IS ±.010  
750 ± .010  
150 ± .010

DIMENSIONS IN INCHES AND MILLIMETERS

**F22**

TYPE	HT	HT	HT	HT	HT	HT	HT
2036	3.11	3.11	3.11	3.11	3.11	3.11	3.11
2037	3.11	3.11	3.11	3.11	3.11	3.11	3.11
2038	3.11	3.11	3.11	3.11	3.11	3.11	3.11
2039	3.11	3.11	3.11	3.11	3.11	3.11	3.11
2040	3.11	3.11	3.11	3.11	3.11	3.11	3.11
2041	3.11	3.11	3.11	3.11	3.11	3.11	3.11
2042	3.11	3.11	3.11	3.11	3.11	3.11	3.11
2043	3.11	3.11	3.11	3.11	3.11	3.11	3.11
2044	3.11	3.11	3.11	3.11	3.11	3.11	3.11
2045	3.11	3.11	3.11	3.11	3.11	3.11	3.11
2046	3.11	3.11	3.11	3.11	3.11	3.11	3.11
2047	3.11	3.11	3.11	3.11	3.11	3.11	3.11
2048	3.11	3.11	3.11	3.11	3.11	3.11	3.11
2049	3.11	3.11	3.11	3.11	3.11	3.11	3.11
2050	3.11	3.11	3.11	3.11	3.11	3.11	3.11