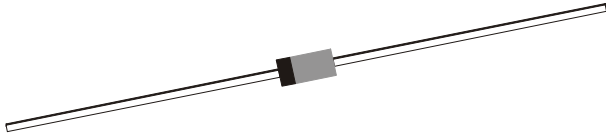


SILICON ZENER DIODES

**1N746 to 1N759
DO-35 400mW**



Hermetically Sealed Glass Package Zener Diodes

ABSOLUTE MAXIMUM RATINGS

| DESCRIPTION | SYMBOL | VALUE | UNIT |
|--|---------|-------------|----------|
| Zener Voltage | ZV | 3.3 to 12 | V |
| D C Power Dissipation | PD | 400 | mW |
| Derating Above 50 deg C | | 3.2 | mW/deg C |
| Operating & Storage Junction Temperature Range | Tj,Tstg | -65 to +175 | deg C |

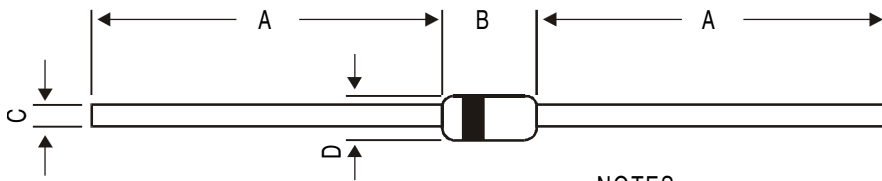
ELECTRICAL CHARACTERISTICS (Ta=25 deg C Unless otherwise Specified , VF < 1.5V @ 200mA)

| Device Type# (1) | Nominal* Zener Voltage VZ @ IZT (V) | Zener Test Current IZT (mA) | Maximum Zener Impedance Zzt @ IZT (Ohms) | Maximum Reverse Current @ 25 deg C max (uA) | Maximum Reverse Current @ +150 deg C max (uA) | VR (V) | Maximum Zener Current IZM (mA) | Typ Temp Coeff of Zener Voltage *vz (% deg C) |
|------------------|-------------------------------------|-----------------------------|--|---|---|--------|--------------------------------|---|
| 1N746 | 3.3 | 20 | 28 | 10 | 30 | 1.0 | 110 | -0.066 |
| 1N747 | 3.6 | 20 | 24 | 10 | 30 | 1.0 | 100 | -0.058 |
| 1N748 | 3.9 | 20 | 23 | 10 | 30 | 1.0 | 95 | -0.046 |
| 1N749 | 4.3 | 20 | 22 | 2.0 | 30 | 1.0 | 85 | -0.033 |
| 1N750 | 4.7 | 20 | 19 | 2.0 | 30 | 1.0 | 75 | -0.015 |
| 1N751 | 5.1 | 20 | 17 | 1.0 | 20 | 1.0 | 70 | +0.010 |
| 1N752 | 5.6 | 20 | 11 | 1.0 | 20 | 1.0 | 65 | +0.030 |
| 1N753 | 6.2 | 20 | 7 | 0.1 | 20 | 1.0 | 60 | +0.049 |
| 1N754 | 6.8 | 20 | 5 | 0.1 | 20 | 1.0 | 55 | +0.053 |
| 1N755 | 7.5 | 20 | 6 | 0.1 | 20 | 1.0 | 50 | +0.057 |
| 1N756 | 8.2 | 20 | 8 | 0.1 | 20 | 1.0 | 45 | +0.060 |
| 1N757 | 9.1 | 20 | 10 | 0.1 | 20 | 1.0 | 40 | +0.061 |
| 1N758 | 10 | 20 | 17 | 0.1 | 20 | 1.0 | 35 | +0.062 |
| 1N759 | 12 | 20 | 30 | 0.1 | 20 | 1.0 | 30 | +0.062 |

Note(1) :- No Suffix +-10%
Suffix A +- 5%

* Pulse Condition : 20ms <tp 50ms, Duty Cycle<2%

DO-35 Glass Axial Package

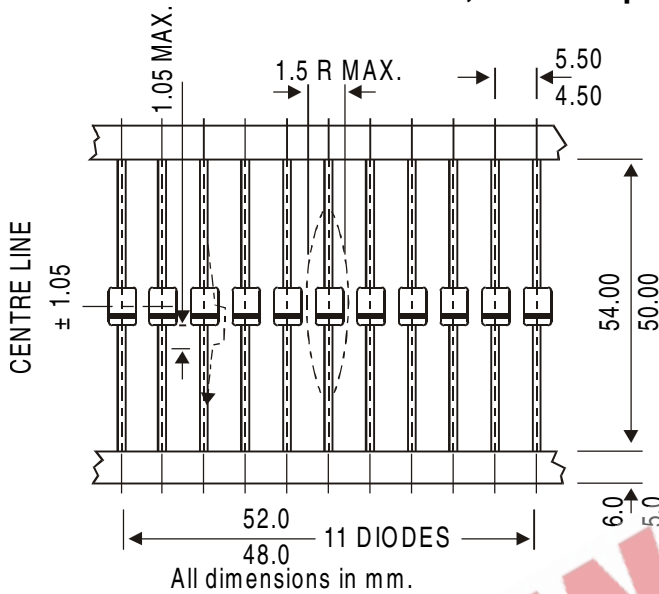


| DIM | MIN | MAX |
|-----|-------|------|
| A | 25.40 | — |
| B | 3.03 | 4.44 |
| C | 0.46 | 0.56 |
| D | 1.52 | 2.29 |

NOTES

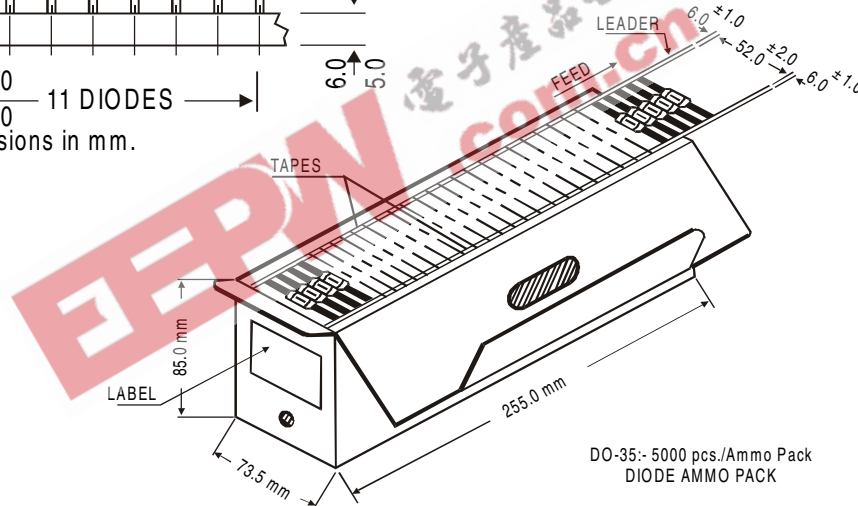
1. Cathode is marked by Band.
2. All dimensions are in mm.

DO-35, 52mm Taping Specification



52 mm Taping Specification

1. T & A indicates Axial Tape & Ammo packing (52 mm Tape Spacing).
2. 300 mm (min) leader tape on every spool.
3. No. of empty places allowed 0.25% without consecutive empty places.
4. Ends of leads shall preferably not protrude beyond the tapes.
5. Components shall be held sufficiently in the tape or tapes so that they can not come free in normal handling.



On request also available in 26 mm Tape and Ammo Pack

Packing Detail

| PACKAGE | STANDARD PACK | | INNER CARTON BOX | | OUTER CARTON BOX | | |
|-----------|---------------|----------------|-------------------|------|---------------------|--------|--------|
| | Details | Net Weight/Qty | Size | Qty | Size | Qty | Gr Wt |
| DO-35 T&A | 5K/ammo box | 0.88 kg/5K pcs | 10" x 3.5" x 3.5" | 5.0K | 12.7" x 12.7" x 20" | 125.0K | 25 kgs |