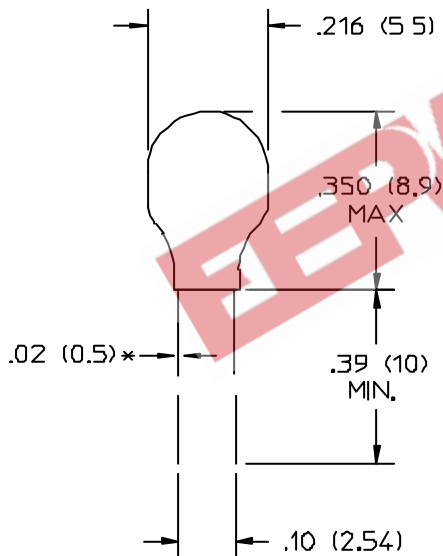


VICOR CONFIDENTIAL

THIS DOCUMENT AND THE DATA DISCLOSED HEREIN OR HEREWITH IS NOT TO BE REPRODUCED, USED, OR DISCLOSED IN WHOLE OR IN PART TO ANYONE WITHOUT PERMISSION OF VICOR CORP.

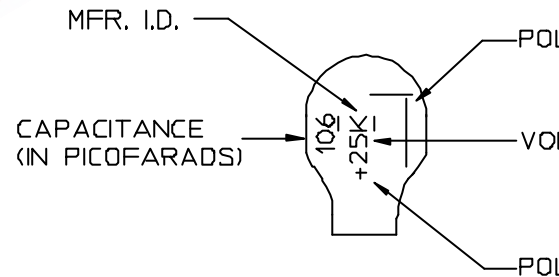
REV	DES
A	RELEASED PER ECO



DIMENSIONS - INCHES (MM)
 * LEAD TOLERANCE = ±.015*(±.38MM)

ELECTRICAL CHARACTERISTICS
 TEMPERATURE RANGE: -55°C - +85°C
 CAPACITANCE TESTED @ 120 Hz -
 10µF, 25V, 20% @ 85°C, 16.5V @ 125°C
 D.C - . LEAKAGE @ 25°C - 2.0µA
 MAX. DISSIPATION FACTOR = 6% @ 25°C, 120Hz

CAPACITOR MARKINGS



DRAWN BY	DATE	
GCK	5/19/99	
UNLESS OTHERWISE SPECIFIED DIMENSIONS ARE IN INCHES. TOLERANCES ARE		
FRACTIONS	DECIMALS	ANGLES
*1/64	.XX - .01	*1°
	XXX** 005	
THIRD ANGLE PROJECTION		SIZE
		B
DO NOT SCALE DRAWING		SCALE