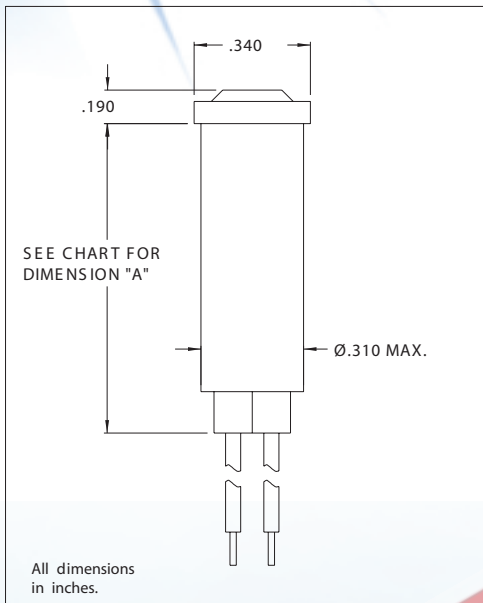


WORLDWIDE



2110A, 2111A, 2112A, 2113A and 2195A Series Non-Relampable Neon-Incandescent Indicator Lights

DESCRIPTION AND FEATURES



Mounting: Ø.310 MIN., supplied with push-on speednut SN1287.

Wire Leads: No.22 AWG (105°C) 4.40/4.80 long, stripped .430/.570

Lens: Polycarbonate-neon transparent, incandescent-translucent

Bezel: White nylon. For black finish add "X" after the series letter(s).

Housing: White Nylon

电子产品世界
EPW.com.cn

| Lens Color | Neon | | Incandescent | |
|------------|------------------------|------------------------|-----------------|-----------------|
| | Model No. (105-125VAC) | Model No. (208-250VAC) | Model No. (12V) | Model No. (28V) |
| Red | 2110A1 | 2111A1 | 2195A1-12V | 2195A1-28V |
| Clear | 2110A2 | 2111A2 | - | - |
| Amber | 2110A3 | 2111A3 | 2195A3-12V | 2195A3-28V |
| White | 2110A4 | 2111A4 | 2195A4-12V | 2195A4-28V |
| Green | 2112A5* | 2113A5* | 2195A5-12V | 2195A5-28V |
| Blue | 2112A6** | 2113A6** | - | - |
| Lamp used | C2A+R resistor | C2A+R resistor | #2162 | #2187 |
| Lead Color | Black | Black/Red | Yellow | Purple |
| "A" DIM | 1.480 | 1.480 | .740 | .740 |

* Incorporates G2B lamp and resistor.

** Incorporates T2B lamp and resistor.

Underwriters Laboratories (UL) File No. E20325

Canadian Standards Association (CSA) File No. LR13346



America:
CML Innovative Technologies, Inc.
147 Central Avenue
Hackensack, NJ 07601 -USA
Tel:1-201-489 -8989
Fax:1-201-489 -6911
e-mail:americas@cml-it.com

Europe:
CML Technologies GmbH &Co.KG
Robert-Bunsen-Str.1
67098 Bad Dürkheim -GERMANY
Tel:+49 (0)6322 9567-0
Fax:+49 (0)6322 9567-88
e-mail:europe@cml-it.com

Asia:
CML Innovative Technologies, Inc.
61 Aida Street
Singapore 459975
Tel:(65)9630 -5003
e-mail:asia@cml-it.com

2110A, 2111A, 2112A, 2113A and 2195A Series
Non-Relampable
Neon-Incandescent Indicator Lights