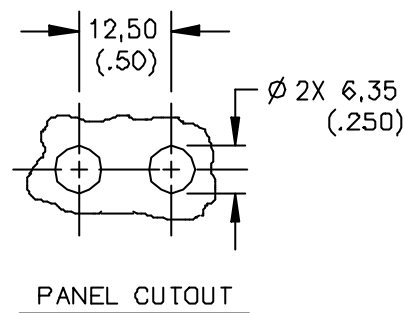
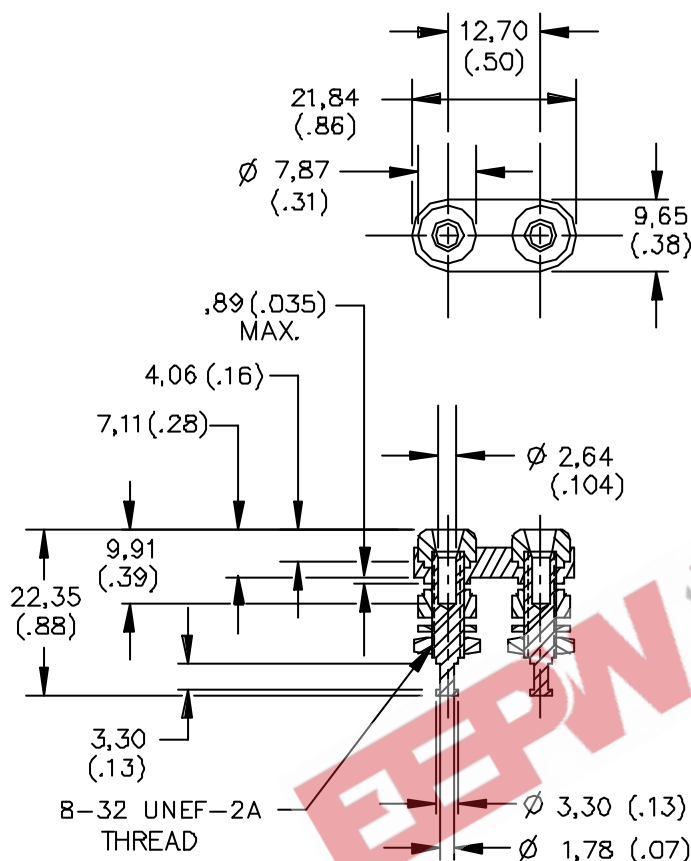


Model 2143 Double Miniature Banana Jack



MODEL NO.	MTG. PLATE COLOR
2143-0	BLACK PLATE
2143-2	RED PLATE

Banana Jack Body - Gold plated brass

FEATURES:

- Accepts miniature banana plugs.
- Mounts in panels up to .188" thick.

MATERIALS:

Banana Jack Insulation - Polycarbonate. Color: One Red and one Black.

Panel Insulator - Polycarbonate. Lockwasher #8 - Steel.

Hex Nut, #8-32 - Brass.

Banana Jack Body - Gold plated brass.

Finish:

Lockwasher #8 - Nickel plated.

Hex Nut, #8-32 - Nickel plated.

RATINGS:

Operating Temperature: +115°C. (+239°F.) Max.

Operating Voltage: 1500 VRMS

Current: 5 Amperes

ORDERING INFORMATION: Model 2143-*

*=Standard Mounting Base Colors: -0 Black, -2 Red

All dimensions are in inches. Tolerances (except noted): .xx = \pm .02" (.51 mm), .xxx = \pm .005" (.127 mm).

All specifications are to the latest revisions. Specifications are subject to change without notice.

Registered trademarks are the property of their respective companies. Made in USA