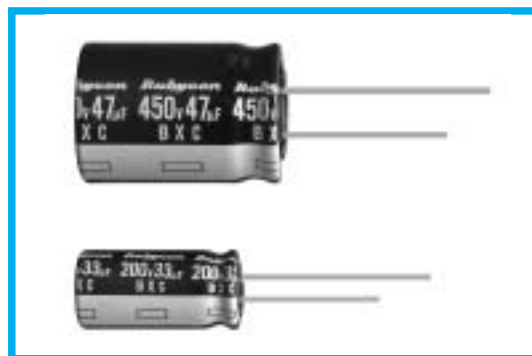


BXC SERIES
Load Life: 105°C 5000~10000 Hours.
◆ FEATURES

- High Ripple Current
- For Electronic Ballast
- RoHS compliance.


◆ SPECIFICATIONS

Items	Characteristics						
Category Temperature Range	-25~+105°C						
Rated Voltage Range	160~450V.DC						
Capacitance Tolerance	±20% (20°C, 120Hz)						
Leakage Current(MAX)	160~450V.DC						
	CV ≤ 1000	CV > 1000					
	I=0.1CV+40μA (1minute) I=0.03CV+15μA (5minutes)	I=0.04CV+100μA (1minute) I=0.02CV+25μA (5minutes)					
	I=Leakage Current(μA) C=Rated Capacitance(μF) V=Rated Voltage(V)						
Dissipation Factor(MAX) (tan δ)	Rated Voltage (V)	160 200 250 350 400 450 (20°C, 120Hz)					
	tan δ	0.15 0.15 0.15 0.20 0.20 0.20					
Endurance	After life test with rated ripple current at conditions stated in the table below, the capacitors shall meet the following requirements.						
	Capacitance Change	Within ±20% of the initial value.				Size	Life Time (hrs)
	Dissipation Factor	Not more than 200% of the specified value.				8×11.5, 10×12.5	5000
	Leakage Current	Not more than the specified value.				10×16, 10×20	8000
			φ D ≥ 12.5	10000			
Low Temperature Stability Impedance Ratio(MAX)	Rated Voltage (V)	160	200	250	350	400	450
	Z(-25°C)/Z(20°C)	3	3	3	6	6	6

◆ MULTIPLIER FOR RIPPLE CURRENT

Frequency coefficient

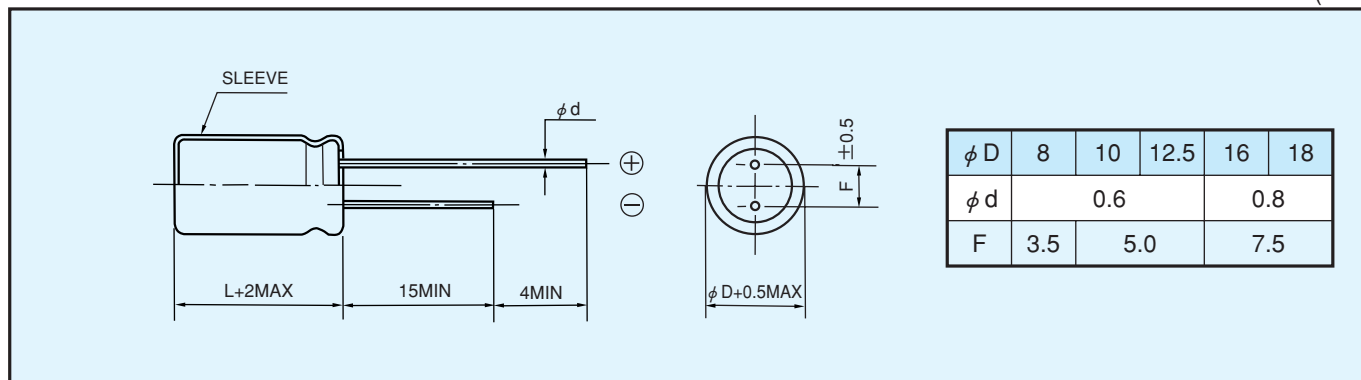
Frequency (Hz)		120	1k	10k	≥100k
Coefficient	1~4.7 μF	0.2	0.4	0.8	1.0
	6.8~15 μF	0.3	0.6	0.9	1.0
	22~82 μF	0.4	0.7	0.9	1.0
	100~220 μF	0.45	0.75	0.9	1.0

◆ PART NUMBER

□□□	BXC	□□□□□	□	□□□	□□	D×L
Rated Voltage	Series	Rated Capacitance	Capacitance Tolerance	Option	Lead Forming	Case Size

◆ DIMENSIONS

(mm)



◆ STANDARD SIZE, RATED RIPPLE CURRENT

Size φ D×L(mm), Ripple Current (mA r.m.s./105°C, 100kHz)

WV (V.DC) Cap (μF)	160V (2C)		200V (2D)		250V (2E)	
	Size	Ripple	Size	Ripple	Size	Ripple
4.7					8×11.5	160
6.8					10×12.5	250
10	10×16	320	10×16	320	10×16	320
22	10×20	500	10×20	500	10×20	500
33	10×20	650	10×20	650	12.5×20	800
47	10×20	750	12.5×20	980	12.5×20	980
68	12.5×20	1180	12.5×25 16×20	1300	16×20	1300
82			16×20	1380	16×20	1380
100	12.5×25 16×20	1420	16×20	1420	16×25	1530
150	16×25	1890	16×25	1890	18×25	1940
220	18×25	2370				

WV (V.DC) Cap (μF)	350V (2V)		400V (2G)		450V (2W)	
	Size	Ripple	Size	Ripple	Size	Ripple
1			8×11.5 10×12.5	60 70		
1.5			8×11.5 10×12.5	90 100		
1.8			8×11.5 10×12.5	95 120		
2.2			8×11.5 10×12.5	95 140		
3.3			10×12.5 10×16	150 180		
4.7	10×12.5	150	10×16	220	10×20	220
5.6	10×12.5	180	10×16	250	10×20	250
6.8	10×16	280	10×16	280	10×20	280
10	10×20	350	10×20	350	12.5×20	450
15			12.5×20	550	12.5×25	600
22	12.5×20	650	12.5×25 16×20	760	16×20	730
33	16×20	900	16×20	900	16×25	980
47	16×20	1080	16×25 18×20	1180	18×25	1200
68	18×25	1470	18×25	1470		
82	18×25	1530				