

2.00mm (0.079") PITCH CONNECTOR

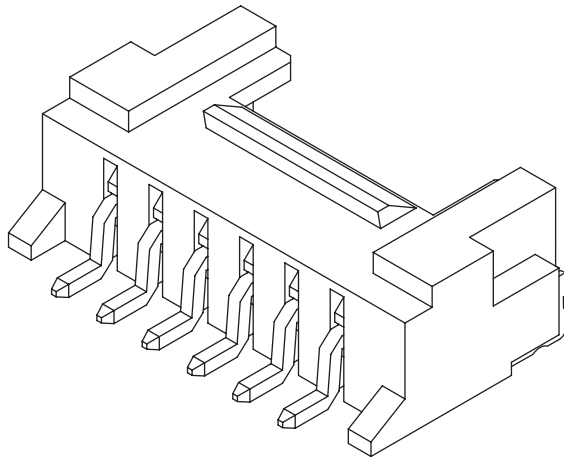


Wire-to-Board
Wafer

20037WR Series

SMT

Right Angle

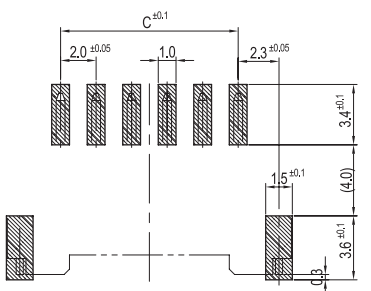
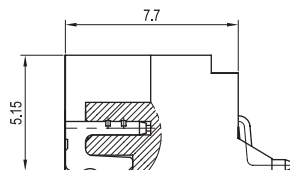
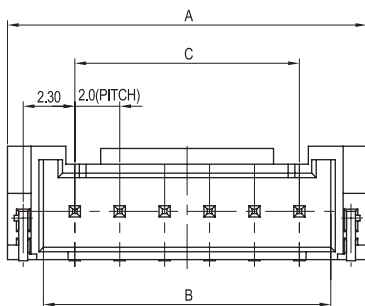
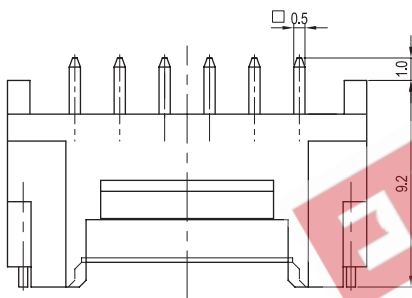


Material

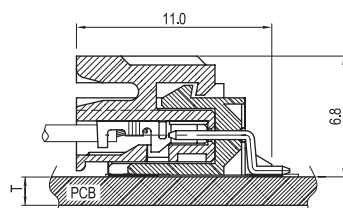
I/NO	DESCRIPTION	TITLE	MATERIAL
1	WAFER	20037WR	PA6T or PA46, UL 94V Grade
2	PIN		Brass & Pin Plated
3	HOOK	20015LR	Brass & Pin Plated

Available Pin

PARTS NO.	A	B	C
20037WR-02A00	8.0	4.75	2.0
20037WR-03A00	10.0	6.75	4.0
20037WR-04A00	12.0	8.75	6.0
20037WR-05A00	14.0	10.75	8.0
20037WR-06A00	16.0	12.75	10.0
20037WR-07A00	18.0	14.75	12.0
20037WR-08A00	20.0	16.75	14.0
20037WR-09A00	22.0	18.75	16.0
20037WR-10A00	24.0	20.75	18.0
20037WR-11A00	26.0	22.75	20.0
20037WR-12A00	28.0	24.75	22.0
20037WR-13A00	30.0	26.75	24.0
20037WR-14A00	32.0	28.75	26.0
20037WR-15A00	34.0	30.75	28.0



PCB LAYOUT



PCB ASS'Y

Specification

ITEM	SPEC
Voltage Rating	AC/DC 250V
Current Rating	AC/DC 3A
Operating Temperature	-25°C~+85°C
Contact Resistance	30mΩ MAX
Withstanding Voltage	AC1000V/1min
Insulation Resistance	1000MΩ MIN
Applicable Wire	-
Applicable P.C.B	0.8~1.6mm
Applicable FPC/FFC	-
Solder Height	0.15mm
Crimp Tensile Strength	-
UL FILE NO	-

Application Housing : SMH200 (100 page)