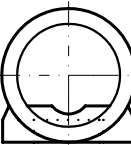
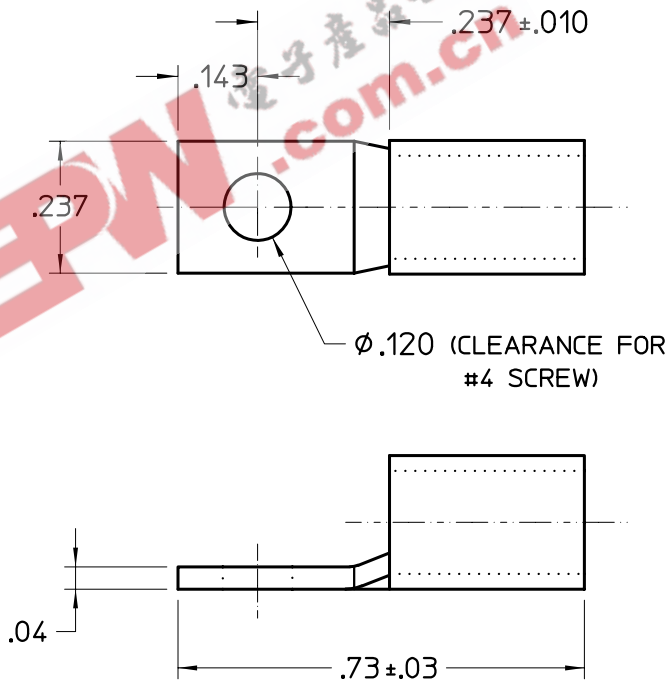


VICOR CONFIDENTIAL

THIS DOCUMENT AND THE DATA DISCLOSED
HEREIN OR HEREWITH IS NOT TO BE REPRODUCED,
USED, OR DISCLOSED IN WHOLE OR IN PART
TO ANYONE WITHOUT PERMISSION OF VICOR CORP.

REV.	DESC
01	RELSD- E010390



NOTES:

1. MATERIAL: COPPER, ELECTRO-PLATED TIN
2. WIRE RANGE: #12-10 AWG
3. STUD SIZE: FOR #4 SCREW
4. TONGUE MARKED WITH WIRE & STUD SIZE.
5. FOR ADDITIONAL SPECS & DIMENSIONS- CONTACT THE VENDOR & CHECK DATA SHEET.

DRAWN BY	DATE	
P.E.IENI	1/29/01	
UNLESS OTHERWISE SPECIFIED DIMENSIONS ARE IN INCHES- TOLERANCES ARE:		
FRACTIONS	DECIMALS	ANGLES
±1/64	XX± .01	±°
	XXX±.005	
THIRD ANGLE PROJECTION		
DO NOT SCALE DRAWING		
SIZE		
B		
SCALE		