



# MX23C8111

## 8M-BIT MASK ROM (8/16 BIT OUTPUT)

### FEATURES

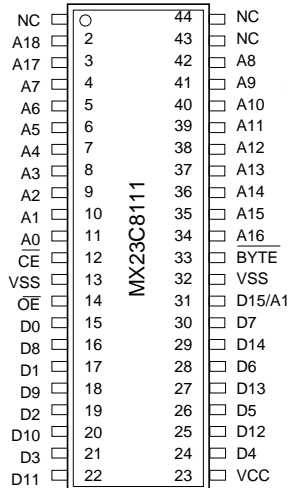
- Bit organization
  - 1M x 8 (byte mode)
  - 512K x 16 (word mode)
- Fast access time
  - Random access: 90ns (max.)
  - Page access: 50ns (max.)
- Current
  - Operating: 60mA
  - Standby: 100uA
- Supply voltage
  - 5V±10%
- Package
  - 44 pin SOP (500mil)
  - 42 pin PDIP (600mil)

### ORDER INFORMATION

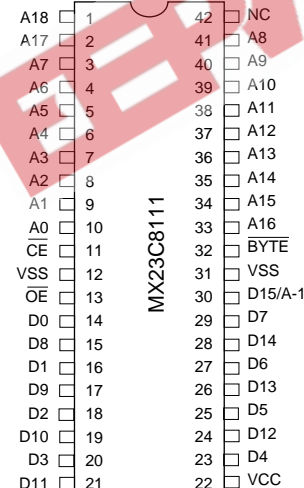
Part No.	Access Time	Page Access Time	Access Package
MX23C8111MC-90	90ns	50ns	44 pin SOP
MX23C8111MC-10	100ns	50ns	44 pin SOP
MX23C8111MC-12	120ns	60ns	44 pin SOP
MX23C8111PC-10	100ns	50ns	42 pin PDIP
MX23C8111PC-12	120ns	60ns	42 pin PDIP

### PIN CONFIGURATION

#### 44 SOP



#### 42 PDIP

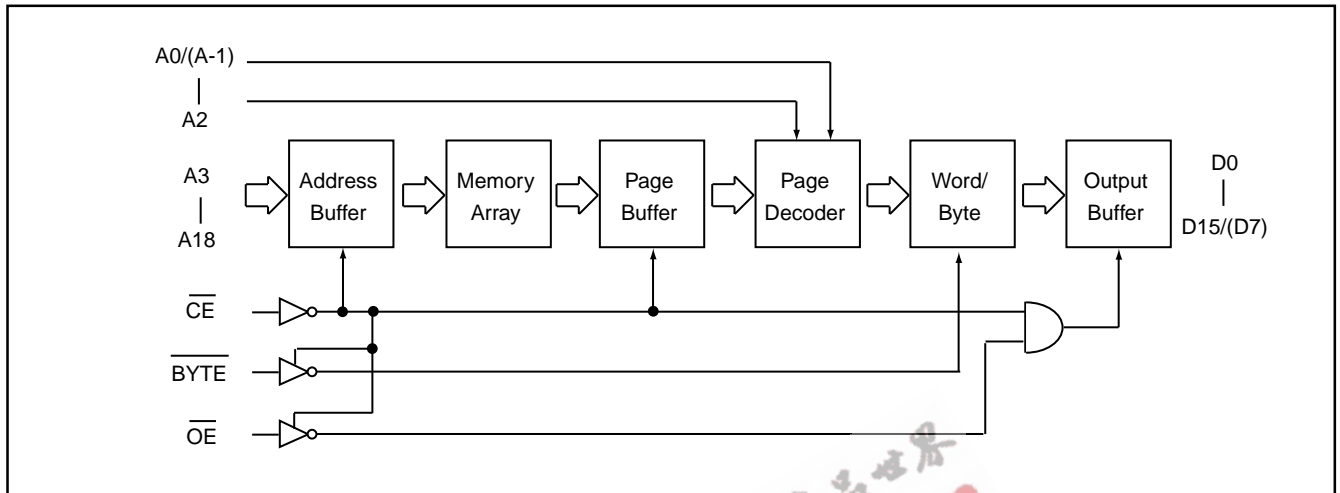


### PIN DESCRIPTION

Symbol	Pin Function
A0~A18	Address Inputs
D0~D7	Data Outputs
$\overline{CE}$	Chip Enable Input
$\overline{OE}$	Output Enable Input
VCC	Power Supply Pin
VSS	Ground Pin
NC	No Connection

### MODE SELECTION

$\overline{CE}$	$\overline{OE}$	$\overline{Byte}$	D15/A-1	D0~D7	D8~D15	Mode	Power
H	X	X	X	High Z	High Z	-	Stand-by
L	H	X	X	High Z	High Z	-	Active
L	L	H	Output	D0~D7	D8~D15	Word	Active
L	L	L	Input	D0~D7	High Z	Byte	Active

**BLOCK DIAGRAM**

**ABSOLUTE MAXIMUM RATINGS**

Item	Symbol	Ratings
Voltage on any Pin Relative to VSS	VCC	-0.3V to 7.0V
Input Voltage	VI	-0.3V to VCC + 0.5V
Output Voltage	VO	-0.3V to VCC + 0.5V
Ambient Operating Temperature	Topr	0°C to 70°C
Storage Temperature	Tstg	-65°C to 125°C

**DC CHARACTERISTICS (Ta = 0°C ~ 70°C, VCC = 5V±10%)**

Item	Symbol	MIN.	MAX.	Conditions
Output High Voltage	VOH	2.4V	-	IOH = -1.0mA
Output Low Voltage	VOL	-	0.4V	IOL = 2.1mA
Input High Voltage	VIH	2.2V	VCC+0.3V	
Input Low Voltage	VIL	-0.3V	0.8V	
Input Leakage Current	ILI	-	10uA	0V, VCC
Output Leakage Current	ILO	-	10uA	0V, VCC
Operating Current	ICC1	-	60mA	f=10MHz, all output open
Standby Current (TTL)	ISTB1	-	1mA	CE=VIH
Standby Current (CMOS)	ISTB2	-	100uA	CE > VCC - 0.2V
Input Capacitance	CIN	-	10pF	Ta = 25°C, f = 1MHZ
Output Capacitance	COUT	-	10pF	Ta = 25°C, f = 1MHZ

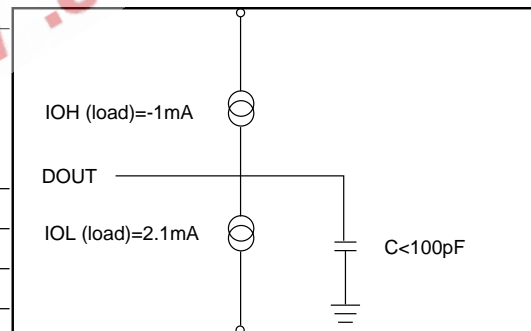
## AC CHARACTERISTICS (Ta = 0°C ~ 70°C, VCC = 5V±10%)

Item	Symbol	23C8111-90		23C8111-10		23C8111-12	
		MIN.	MAX.	MIN.	MAX.	MIN.	MAX.
Read Cycle Time	tRC	90ns	-	100ns	-	120ns	-
Address Access Time	tAA	-	90ns	-	100ns	-	120ns
Chip Enable Access Time	tACE	-	90ns	-	100ns	-	120ns
Page Mode Access Time	tPA	-	50ns	-	50ns	-	60ns
Output Enable Time	tOE	-	50ns	-	50ns	-	60ns
Output Hold After Address	tOH	0ns	-	0ns	-	0ns	-
Output High Z Delay	tHZ	-	20ns	-	20ns	-	20ns

Note: Output high-impedance delay (tHZ) is measured from OE or CE going high, and this parameter guaranteed by design over the full voltage and temperature operating range - not tested.

## AC Test Conditions

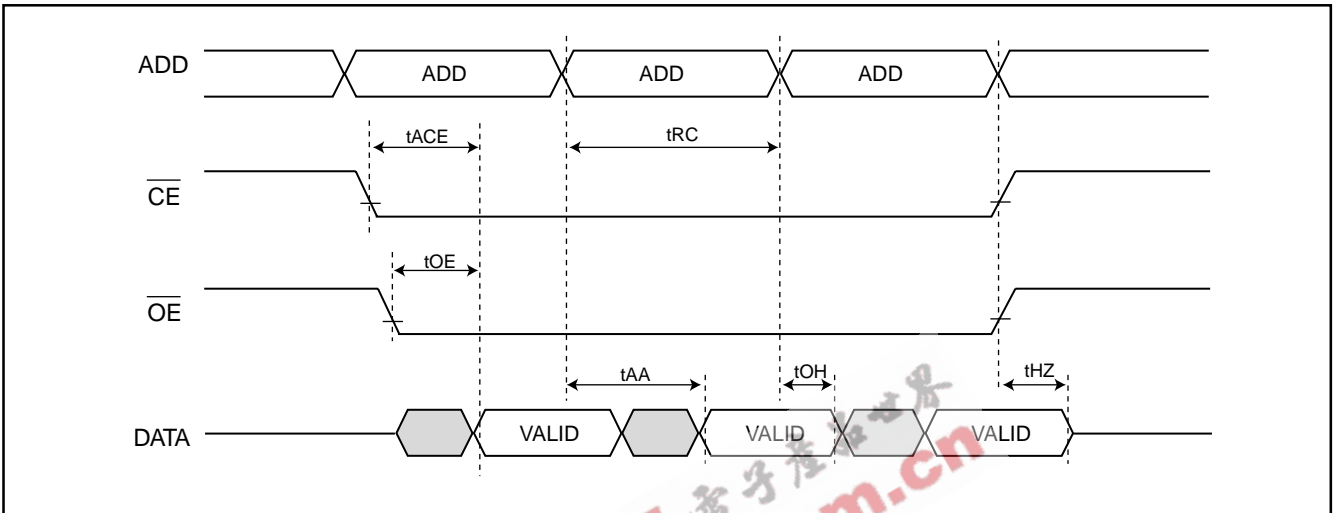
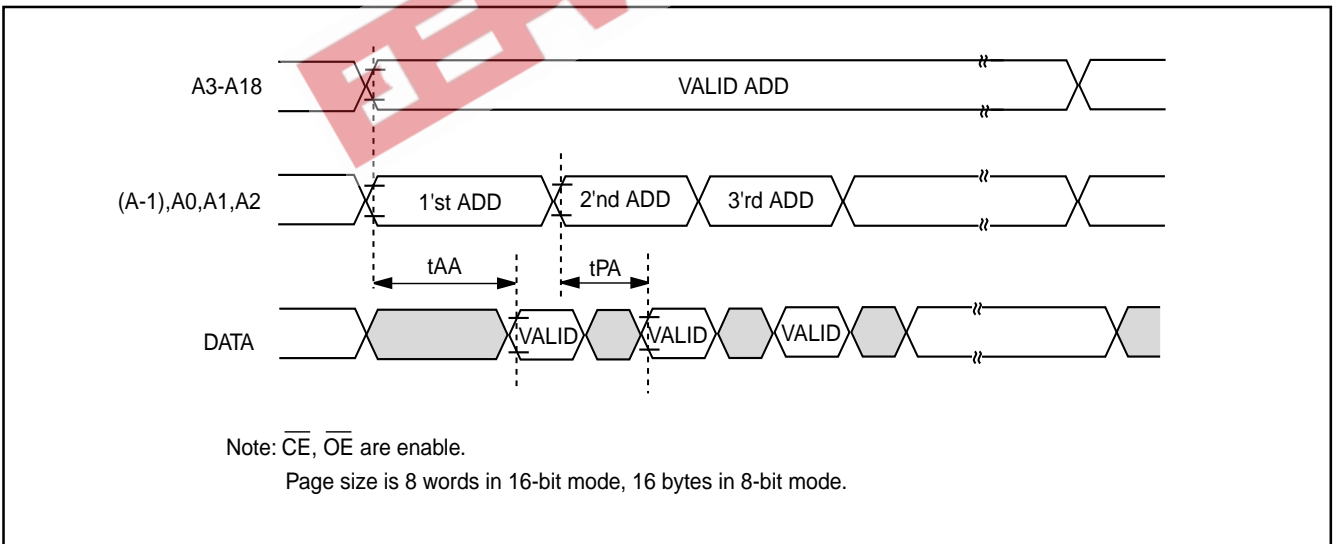
Input Pulse Levels	0.4V~2.7V for 90ns and 100ns speed grade 0.4V~2.4V for 120ns speed grade
Input Rise and Fall Times	10ns
Input Timing Level	1.5V
Output Timing Level	0.8V and 2.0V
Output Load	See Figure



Note: No output loading is present in tester load board.

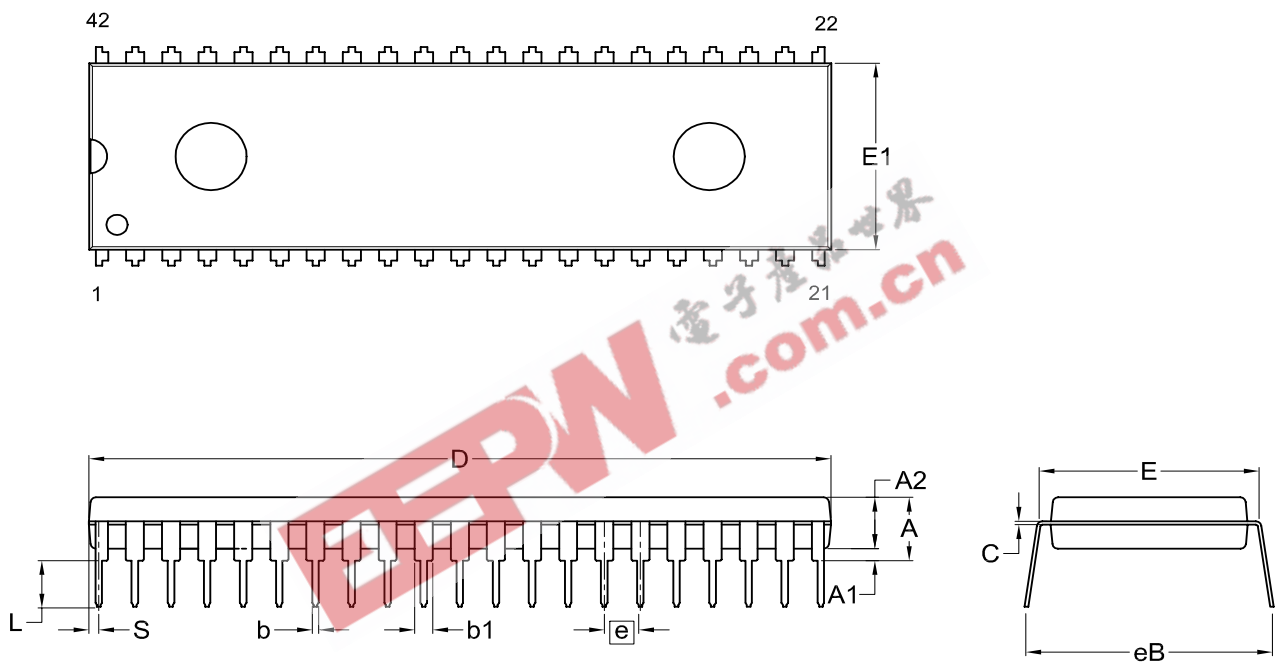
Active loading is used and under software programming control.

Output loading capacitance includes load board's and all stray capacitance.

**TIMING DIAGRAM**
**Access Timing (Normal Access)**

**Page Read**


## PACKAGE INFORMATION

Title: Package Outline for PDIP 42L (600MIL)

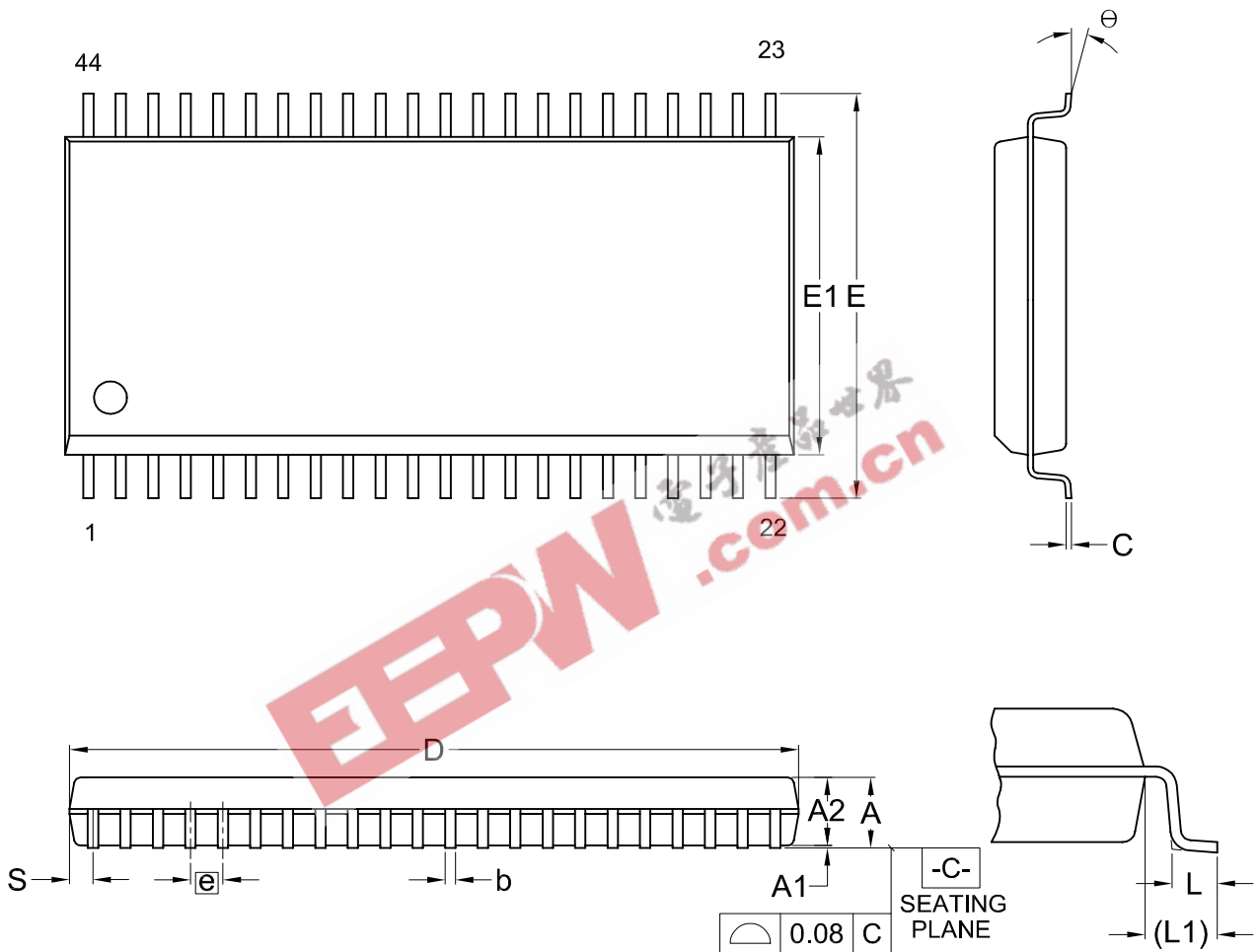


Dimensions (inch dimensions are derived from the original mm dimensions)

SYMBOL		A	A1	A2	b	b1	C	D	E	E1	e	eB	L	S
UNIT														
mm	Min.	---	0.25	3.73	0.38	1.14	0.20	51.31	15.11	13.84		15.75	2.92	0.38
	Nom.	---	---	3.94	0.46	1.27	0.25	51.94	15.24	13.97	2.54	16.51	3.30	0.64
	Max.	4.90	0.76	4.14	0.53	1.40	0.30	52.57	15.37	14.10		17.27	3.68	0.89
Inch	Min.	---	0.010	0.147	0.015	0.045	0.008	2.020	0.595	0.545		0.620	0.115	0.015
	Nom.	---	---	0.155	0.018	0.050	0.010	2.045	0.600	0.550	0.100	0.650	0.130	0.025
	Max.	0.193	0.030	0.163	0.021	0.055	0.012	2.070	0.605	0.555		0.680	0.145	0.035

DWG.NO.	REVISION	REFERENCE			ISSUE DATE
		JEDEC	EIAJ		
6110-0202.5	8				11-24-'03

Title: Package Outline for SOP 44L (500MIL)



Dimensions (inch dimensions are derived from the original mm dimensions)

SYMBOL		A	A1	A2	b	C	D	E	E1	e	L	L1	S	$\theta$
UNIT														
mm	Min.	---	0.10	2.59	0.36	0.15	28.37	15.83	12.47		0.56	1.51	0.78	0
	Nom.	---	0.15	2.69	0.41	0.20	28.50	16.03	12.60	1.27	0.76	1.71	0.91	5
	Max.	3.00	0.20	2.80	0.51	0.25	28.63	16.23	12.73		0.96	1.91	1.04	10
Inch	Min.	---	0.004	0.102	0.014	0.006	1.117	0.623	0.491		0.022	0.059	0.031	0
	Nom.	---	0.006	0.106	0.016	0.008	1.122	0.631	0.496	0.050	0.030	0.067	0.036	5
	Max.	0.118	0.008	0.110	0.020	0.010	1.127	0.639	0.501		0.038	0.075	0.041	10

DWG.NO.	REVISION	REFERENCE			ISSUE DATE
		JEDEC	EIAJ		
6110-1405	6	MO-175			11-26-03

**REVISION HISTORY**

<b>REVISION</b>	<b>DESCRIPTION</b>	<b>PAGE</b>	<b>DATE</b>
2.1	AC Characteristics: tOH--10ns --> 0ns	P3	JAN/29/1999
2.2	Modify Package Information	P5,6	NOV/22/2001
2.3	Modify Package Information	P5,6	NOV/21/2002
2.4	Modify 42-PDIP Package Information	P5	JUN/19/2003
2.5	Removed access time: 95ns	P1,3	JUL/01/2003
2.6	Added access time:90ns	P1,3	JUL/29/2003

**EEPW** 电子產品世界  
.com.cn



**MX23C8111**

---

---

**MACRONIX INTERNATIONAL Co., LTD.**

**Headquarters:**

TEL:+886-3-578-6688  
FAX:+886-3-563-2888

**Europe Office :**

TEL:+32-2-456-8020  
FAX:+32-2-456-8021

**Hong Kong Office :**

TEL:+86-755-834-335-79  
FAX:+86-755-834-380-78

**Japan Office :**

**Kawasaki Office :**

TEL:+81-44-246-9100  
FAX:+81-44-246-9105

**Osaka Office :**

TEL:+81-6-4807-5460  
FAX:+81-6-4807-5461

**Singapore Office :**

TEL:+65-6346-5505  
FAX:+65-6348-8096

**Taipei Office :**

TEL:+886-2-2509-3300  
FAX:+886-2-2509-2200

**MACRONIX AMERICA, INC.**

TEL:+1-408-262-8887  
FAX:+1-408-262-8810

*<http://www.macronix.com>*

---