

MXY SERIES
Low Profile with Horizontal Mounting
◆FEATURES

- Load Life : 105°C 3000 hours with horizontal mounting.
- Suitable for flat equipment design.
- RoHS compliance.


◆SPECIFICATIONS

| Items | Characteristics | | | | | | | | |
|------------------------------------|---|--------------------|-----------------------------------|--------------------|--|--------------------|------------------------------------|---|--|
| Category Temperature Range | -25~+105°C | | | | | | | | |
| Rated Voltage Range | 160V~400V.DC | | | | | | | | |
| Capacitance Tolerance | ±20% (20°C, 120Hz) | | | | | | | | |
| Leakage Current(MAX) | $I=3\sqrt{CV}$ (After 5 minutes application of rated voltage) I =Leakage Current(μA) V =Rated Voltage(V) C =Rated Capacitance(μF) | | | | | | | | |
| Dissipation Factor(MAX) (tan δ) | 0.15 (20°C, 120Hz) | | | | | | | | |
| Impedance Ratio(MAX) | <table border="1"> <thead> <tr> <th>Rated Voltage (V)</th> <th>160~250</th> <th>400</th> <th>(120Hz)</th> </tr> </thead> <tbody> <tr> <td>$Z(-25°C)/Z(20°C)$</td> <td>3</td> <td>8</td> <td></td> </tr> </tbody> </table> | Rated Voltage (V) | 160~250 | 400 | (120Hz) | $Z(-25°C)/Z(20°C)$ | 3 | 8 | |
| Rated Voltage (V) | 160~250 | 400 | (120Hz) | | | | | | |
| $Z(-25°C)/Z(20°C)$ | 3 | 8 | | | | | | | |
| Endurance | <p>After applying rated voltage with rated ripple current for 3000hrs at 105°C, the capacitors shall meet the following requirements.</p> <table border="1"> <tbody> <tr> <td>Capacitance Change</td> <td>Within ±20% of the initial value.</td> </tr> <tr> <td>Dissipation Factor</td> <td>Not more than 200% of the specified value.</td> </tr> <tr> <td>Leakage Current</td> <td>Not more than the specified value.</td> </tr> </tbody> </table> | Capacitance Change | Within ±20% of the initial value. | Dissipation Factor | Not more than 200% of the specified value. | Leakage Current | Not more than the specified value. | | |
| Capacitance Change | Within ±20% of the initial value. | | | | | | | | |
| Dissipation Factor | Not more than 200% of the specified value. | | | | | | | | |
| Leakage Current | Not more than the specified value. | | | | | | | | |

◆MULTIPLIER FOR RIPPLE CURRENT

Frequency coefficient

| Frequency (Hz) | 60(50) | 120 | 500 | 1k | 10k≤ | |
|----------------|-----------|------|------|------|------|------|
| Coefficient | 160~250WV | 0.80 | 1.00 | 1.10 | 1.14 | 1.18 |
| | 400WV | 0.80 | 1.00 | 1.05 | 1.10 | 1.15 |

◆PART NUMBER

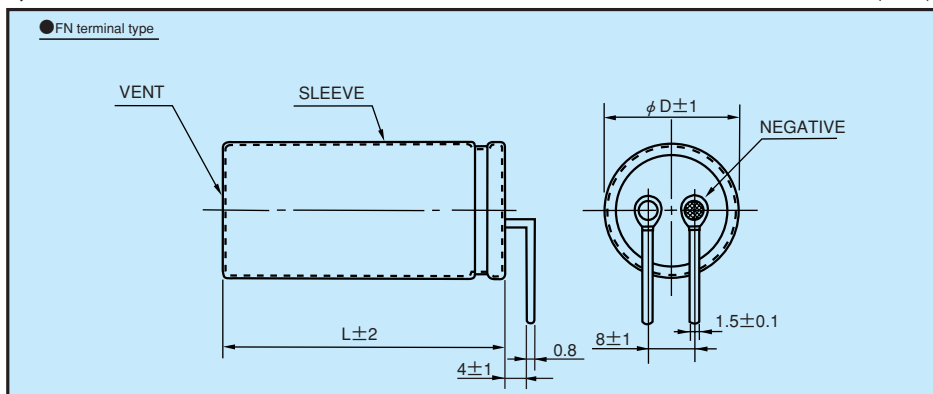
| | | | | | | |
|---------------|--------|-------------------|-----------------------|--------|---------------|-----------|
| □□□ | MXY | □□□□□ | □ | OOE | FN | DXL |
| Rated Voltage | Series | Rated Capacitance | Capacitance Tolerance | Option | Terminal Code | Case Size |

◆Option

| | Code |
|---------------|-------|
| without plate | OOE |
| with plate | Blank |

◆DIMENSIONS

(mm)



◆ STANDARD SIZE, RATED RIPPLE CURRENT

| Cap(μ F) | WV ϕ D | 160 | | | | | | 200 | | | | | |
|---------------|----------------|-----------|-------|-----------|-------|-----------|--|-----------|------|-----------|------|-----------|------|
| | | ϕ 20 | | ϕ 22 | | ϕ 25 | | ϕ 20 | | ϕ 22 | | ϕ 25 | |
| 270 | | | | | | | | 20×30 | 0.97 | | | | |
| 330 | 20×30 | 1.02 | | | | | | 20×35 | 1.17 | 22×30 | 1.20 | | |
| 390 | 20×35 | 1.15 | 22×30 | 1.17 | | | | 20×40 | 1.27 | 22×35 | 1.30 | | |
| 470 | 20×40 | 1.25 | 22×30 | 1.28 | | | | 20×45 | 1.41 | 22×40 | 1.44 | | |
| 560 | 20×45 | 1.42 | 22×35 | 1.45 | | | | 20×55 | 1.56 | 22×45 | 1.60 | 25×35 | 1.60 |
| 680 | 20×50 | 1.60 | 22×40 | 1.64 | 25×35 | 1.70 | | 20×60 | 1.71 | 22×50 | 1.75 | 25×40 | 1.76 |
| 820 | 20×55 | 1.81 | 22×45 | 1.85 | 25×40 | 1.92 | | | | 22×60 | 2.10 | 25×45 | 2.10 |
| 1000 | | | 22×55 | 2.10 | 25×45 | 2.17 | | | | | | 25×50 | 2.36 |
| 1200 | | | | | 25×50 | 2.43 | | | | | | | |
| 1500 | | | | | 25×60 | 2.62 | | | | | | | |

| Cap(μ F) | WV ϕ D | 250 | | | | | | 400 | | | | | |
|---------------|----------------|-----------|-------|-----------|-------|-----------|--|-----------|------|-----------|------|-----------|------|
| | | ϕ 20 | | ϕ 22 | | ϕ 25 | | ϕ 20 | | ϕ 22 | | ϕ 25 | |
| 68 | | | | | | | | 20×30 | 0.48 | | | | |
| 82 | | | | | | | | 20×30 | 0.54 | | | | |
| 100 | | | | | | | | 20×35 | 0.60 | 22×30 | 0.62 | | |
| 120 | | | | | | | | 20×40 | 0.71 | 22×35 | 0.73 | | |
| 150 | | | | | | | | 20×45 | 0.83 | 22×40 | 0.85 | 25×35 | 0.85 |
| 180 | 20×30 | 0.82 | | | | | | 20×55 | 0.93 | 22×45 | 0.95 | 25×35 | 0.92 |
| 220 | 20×35 | 0.95 | 22×30 | 0.97 | | | | | | 22×50 | 1.08 | 25×40 | 1.05 |
| 270 | 20×40 | 1.08 | 22×35 | 1.11 | | | | | | 22×60 | 1.20 | 25×50 | 1.29 |
| 330 | 20×45 | 1.23 | 22×40 | 1.26 | | | | | | | | 25×60 | 1.41 |
| 390 | 20×50 | 1.38 | 22×45 | 1.41 | 25×35 | 1.42 | | | | | | | |
| 470 | 20×60 | 1.54 | 22×50 | 1.58 | 25×40 | 1.61 | | | | | | | |
| 560 | | | 22×55 | 1.80 | 25×45 | 1.80 | | | | | | | |
| 680 | | | | | 25×50 | 2.03 | | | | | | | |
| 820 | | | | | 25×60 | 2.26 | | | | | | | |

↑ Ripple Current (A r.m.s./120Hz, 105°C)

 ↑ Case Size ϕ D×L(mm)
